

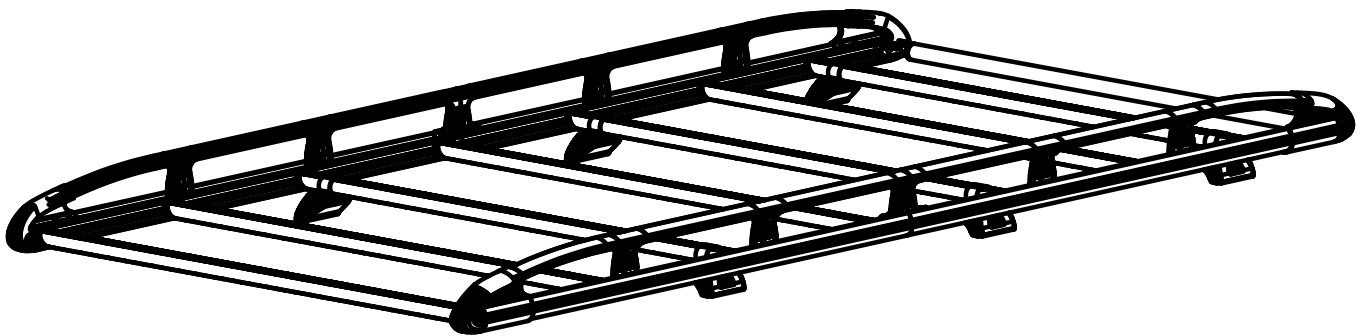
ISSUE:	DRAWN BY:	CHECKED BY:	CRF No:	DATE:	DESCRIPTION:
a	AVR	KB	3464	16/04/25	First Issue
b					
c					
d					
e					
f					
g					
h					
i					
j					
k					
l					
m					

XF3BRFI

XF3BR

KammRack

Instructions



CITY CRASH (✓)

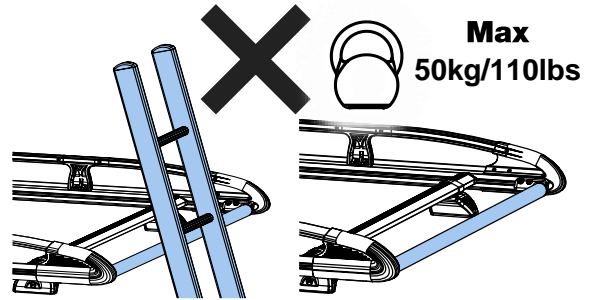
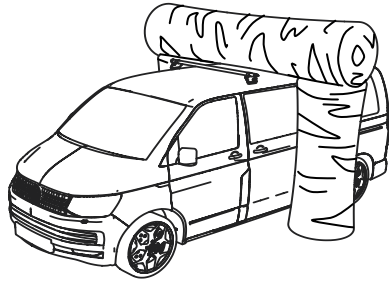
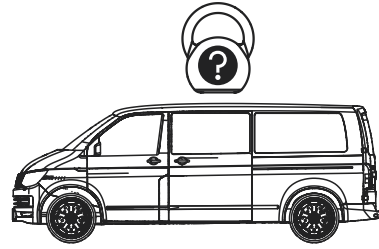
According to ISO/ PAS 11154:2006



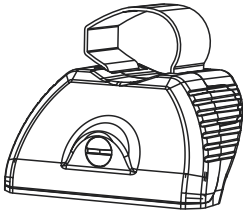
Saic Maxus eDeliver 5 2024-



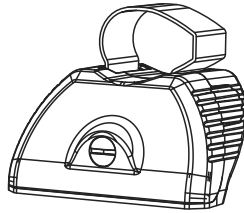
13mm



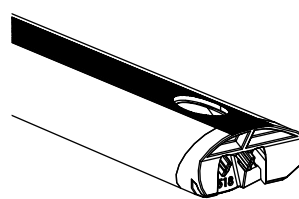
KammRack



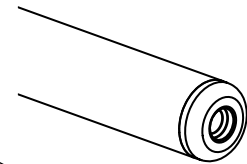
SA397U x 3



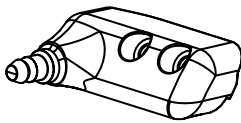
SA398U x 3



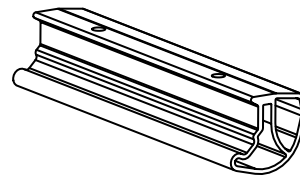
SA468 x 7



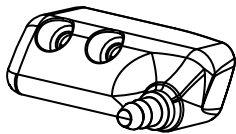
SA438 x 1



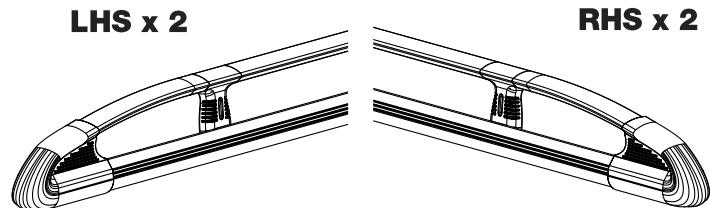
PS519 x 1



EXT15-02



PS520 x 1



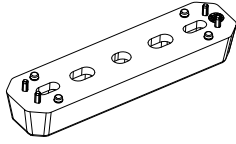
LHS x 2

RHS x 2

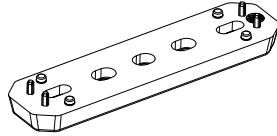
ASF x 1



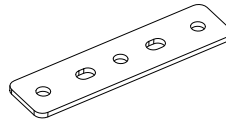
Fitting Kit



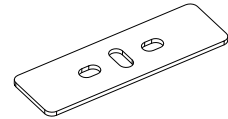
PS183 x 2



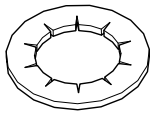
PS178 x 4



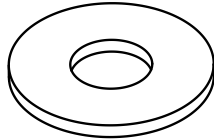
PS023 x 6



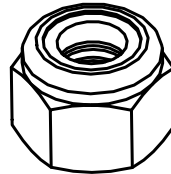
MS1511 x 6



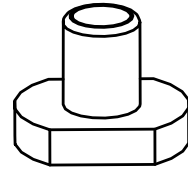
**FW009
(M8) x 6**



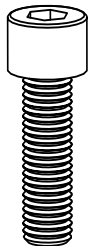
**FW002
(M8) x 12**



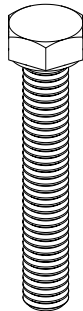
**FN006 (M8)
x 6**



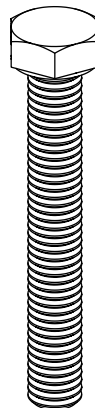
**FN085 (M8)
x 18**



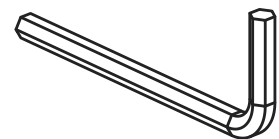
**FS059
(M8 x 25)
x 18**



**FS101
(M8 x 45)
x 4**



**FS105
(M8 x 55)
x 2**

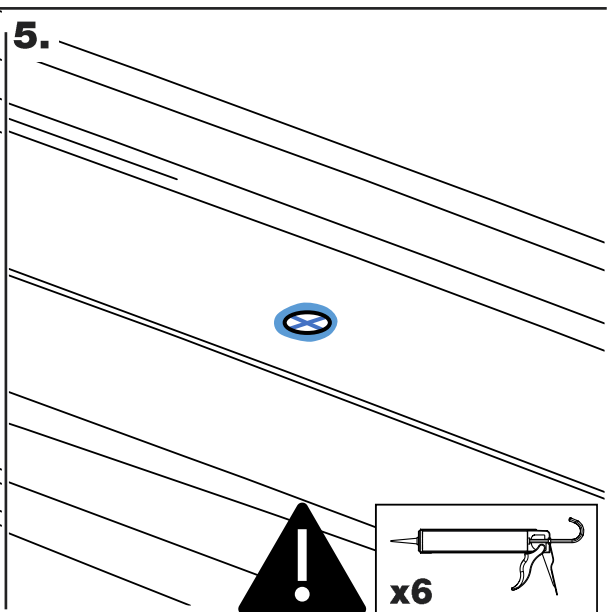
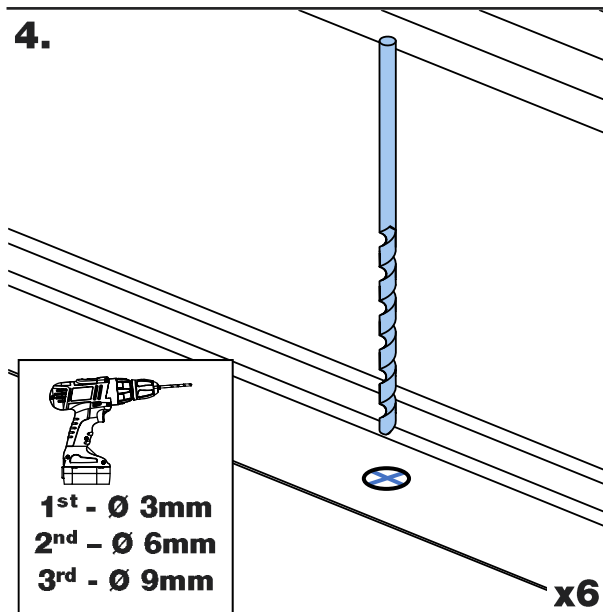
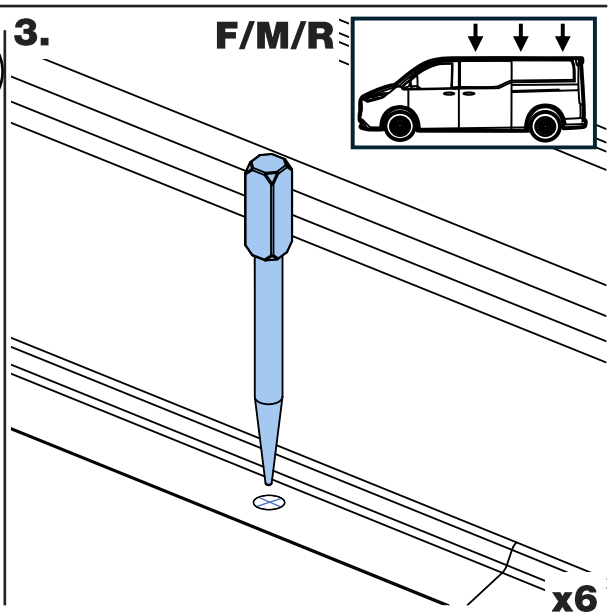
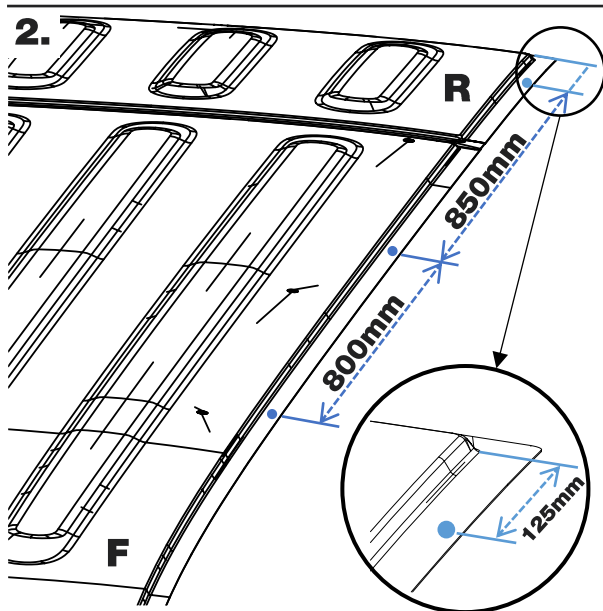
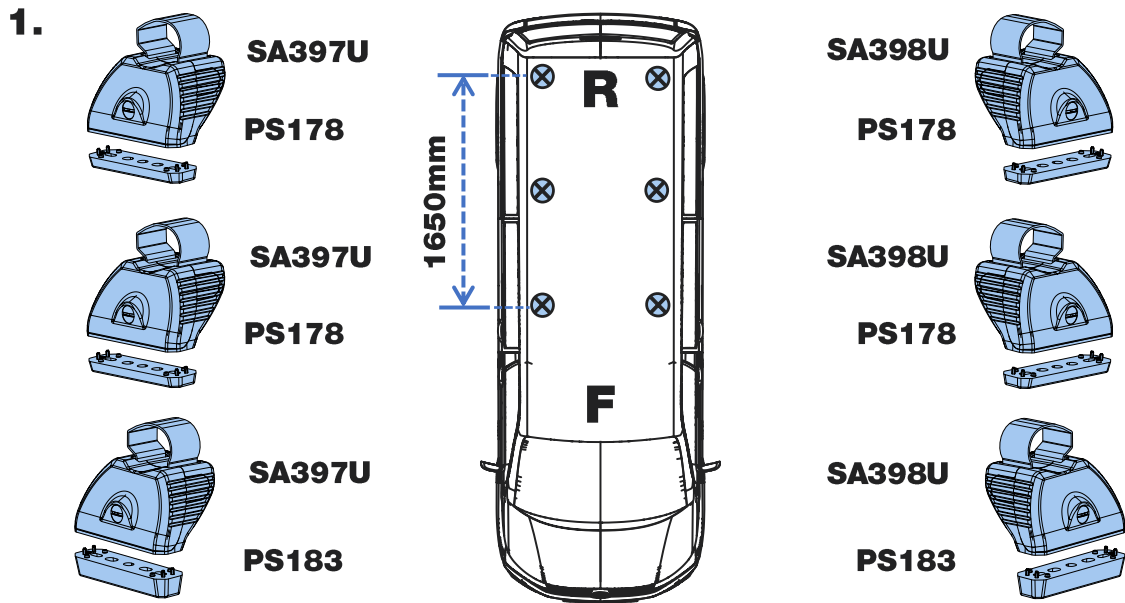


**FT05
x 1**

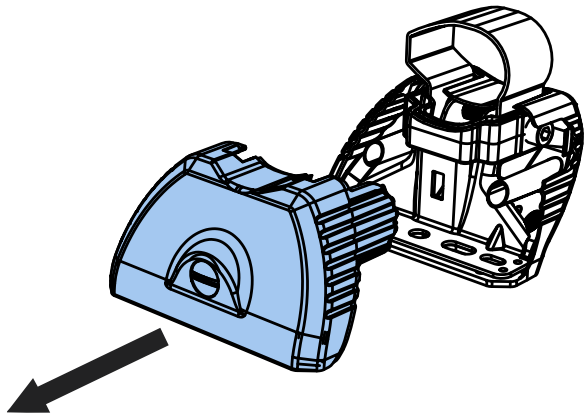


**FT01
x 1**



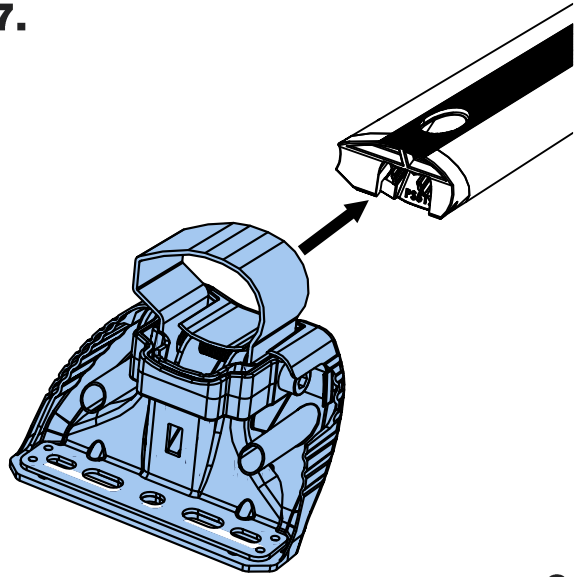


6.



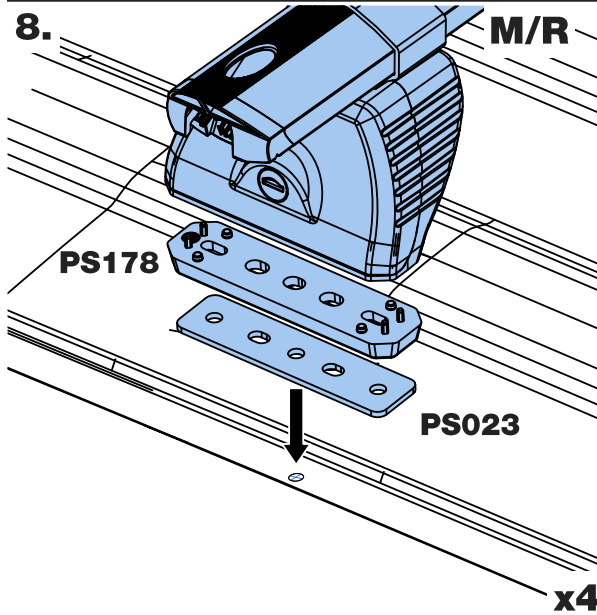
x6

7.



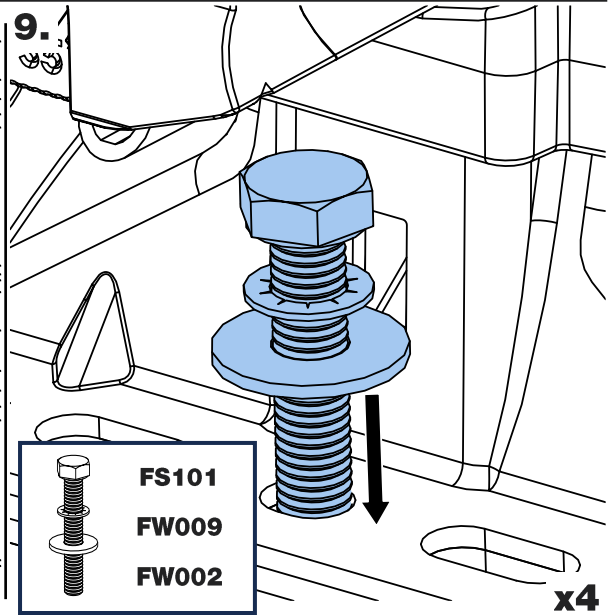
x6

8.



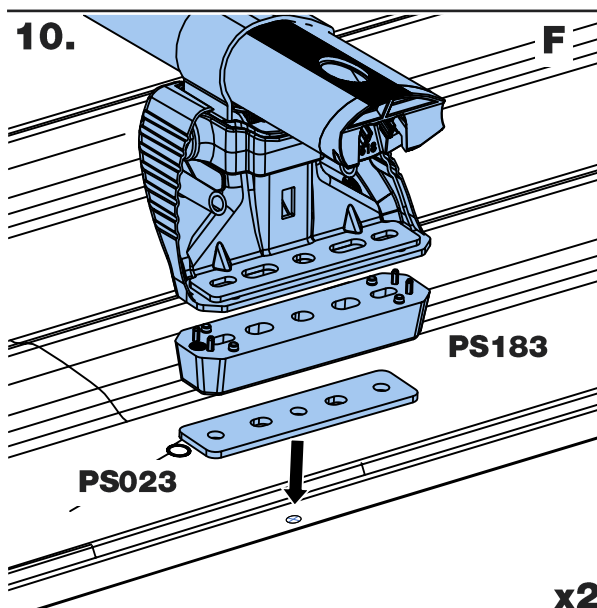
x4

9.



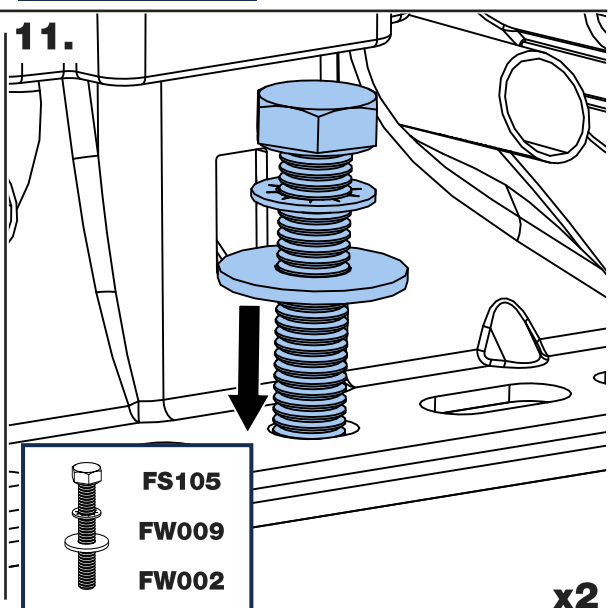
x4

10.

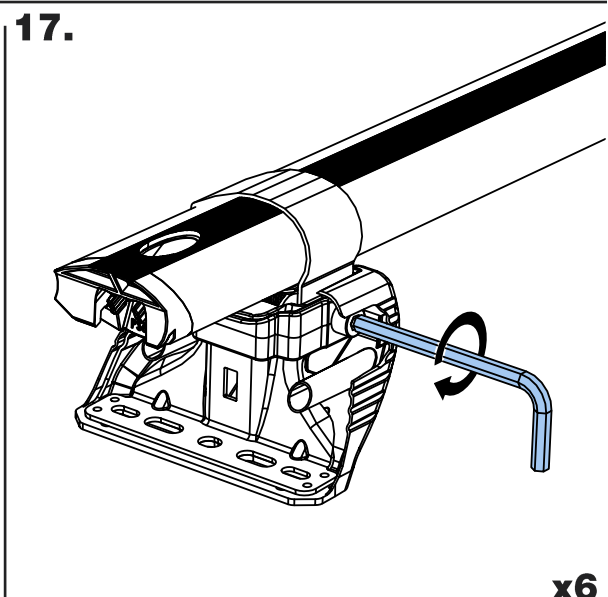
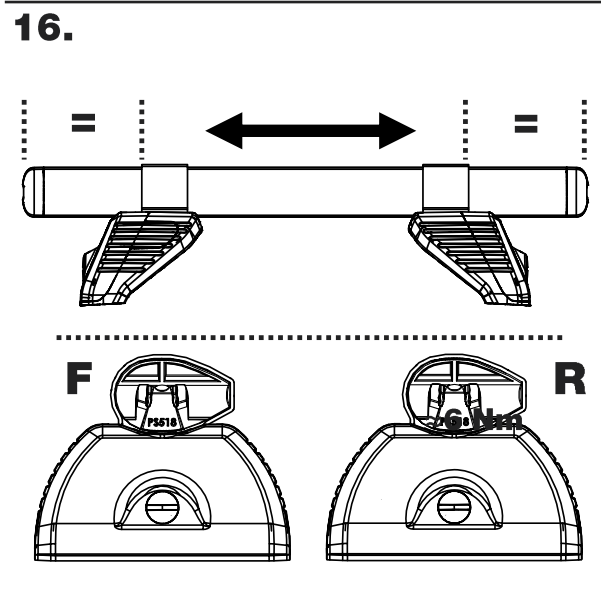
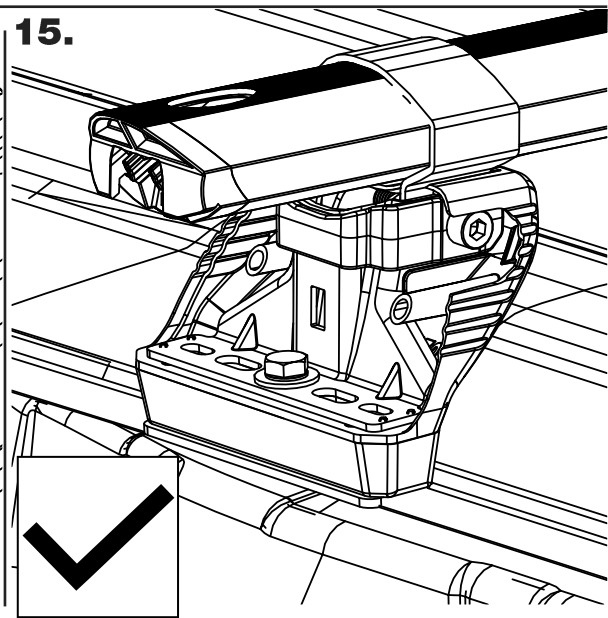
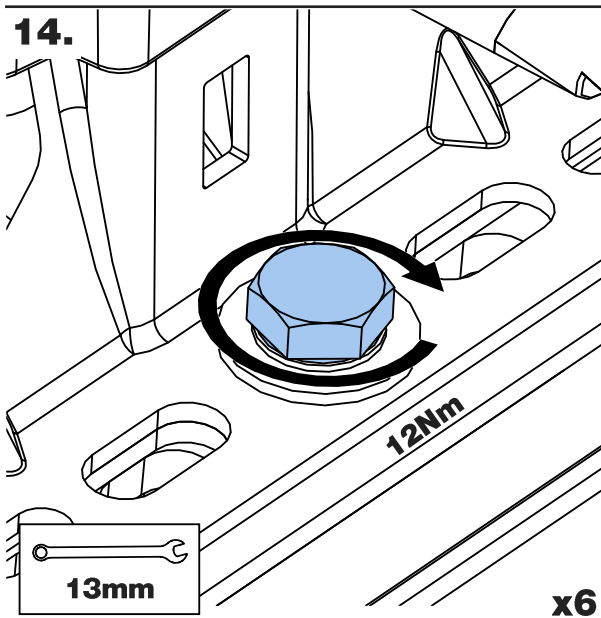
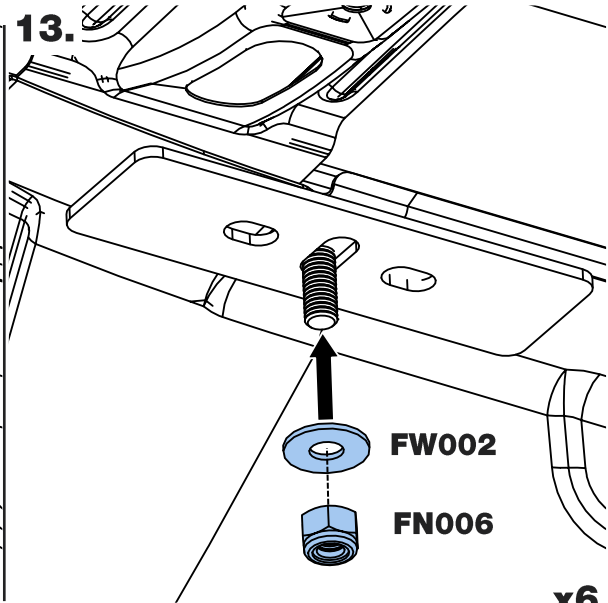
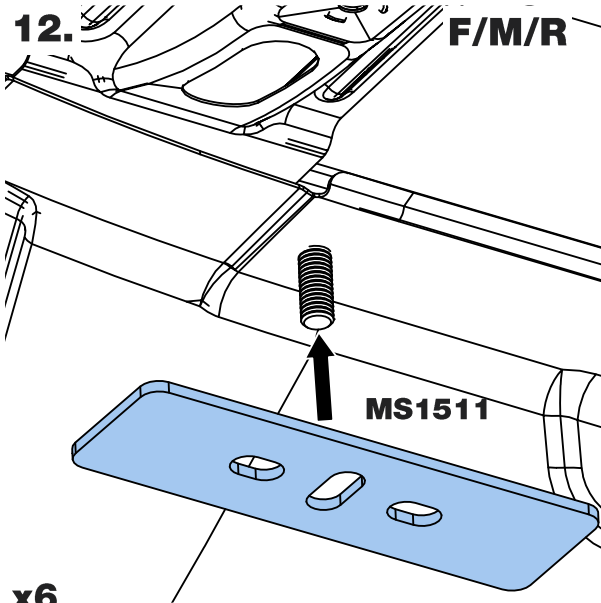


x2

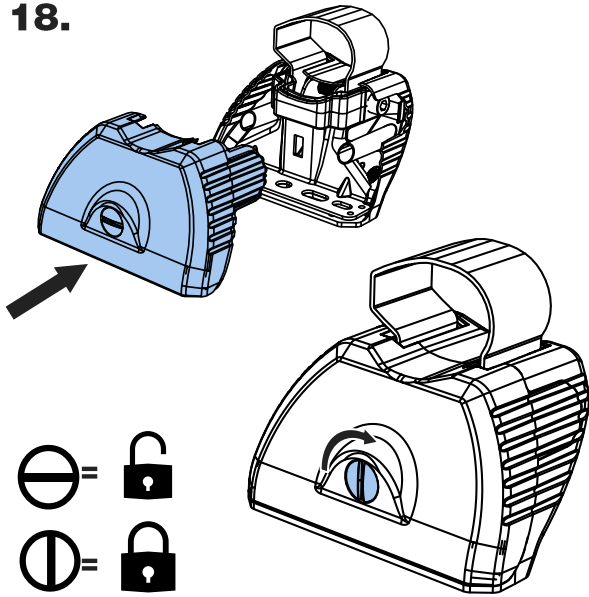
11.



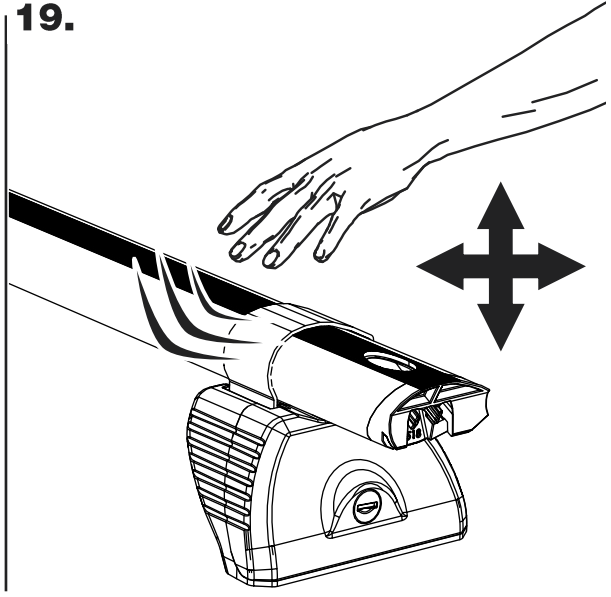
x2



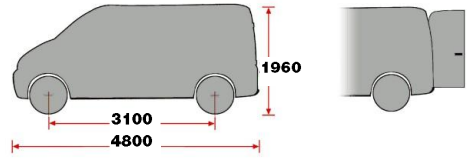
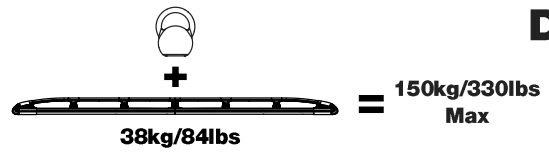
18.



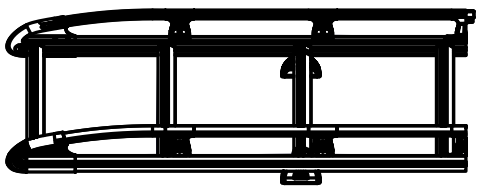
19.



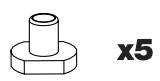
B698- Saic, Maxus, eDeliver 5, 2024- L1, H1, Twin Doors



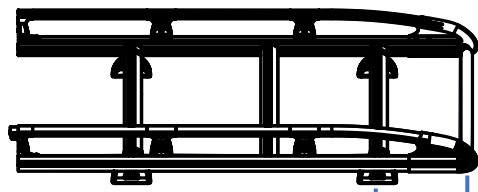
F1



F2



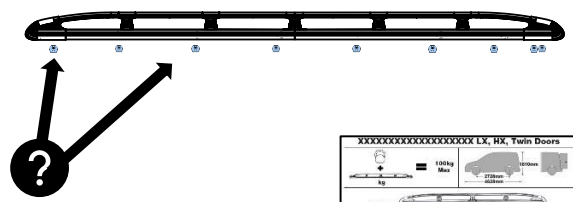
R1



R2

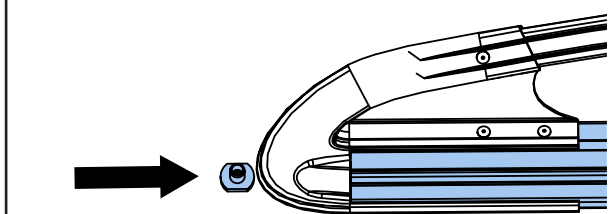
430mm

20.

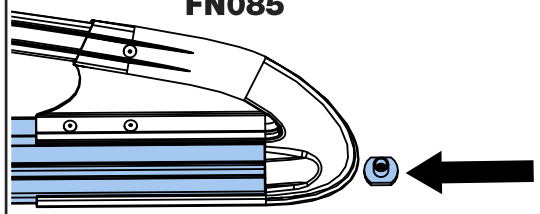


XXXXXXXXXXXXXXXXXXXXXXXXXX LX, HX, Twin Doors		100kg Max	
XXXXXXXXXXXXXXXXXXXXXXXXXX LX, HX, Tailgate		100kg Max	
XXXXXXXXXXXXXXXXXXXXXXXXXX LX, HX, Tailgate		100kg Max	
XXXXXXXXXXXXXXXXXXXXXXXXXX LX, HX, Tailgate		100kg Max	

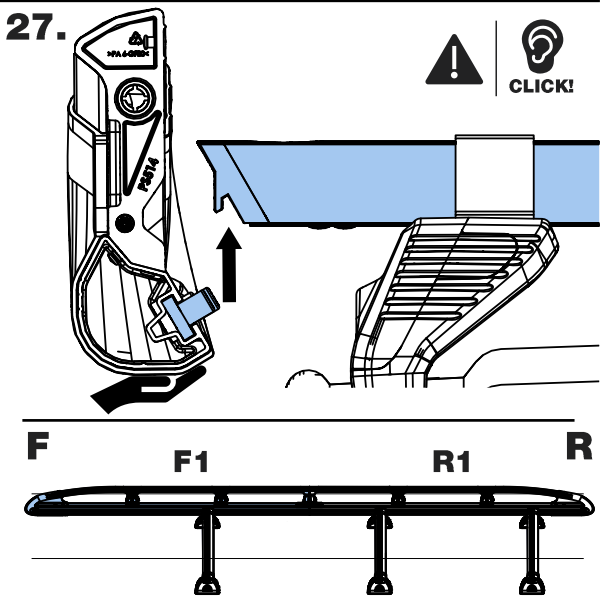
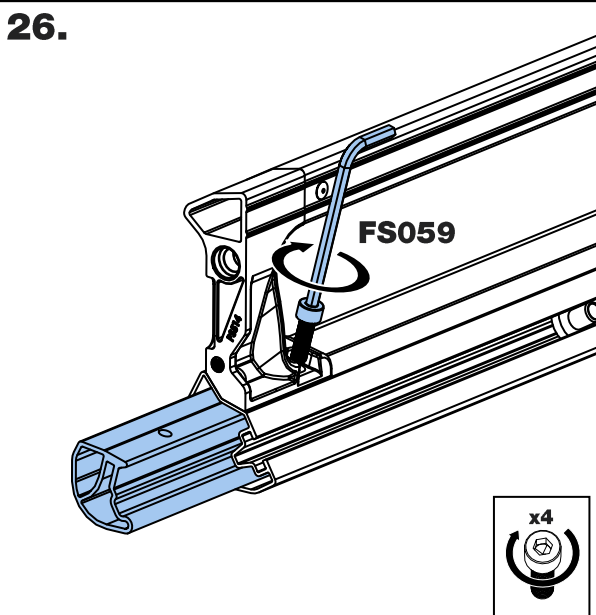
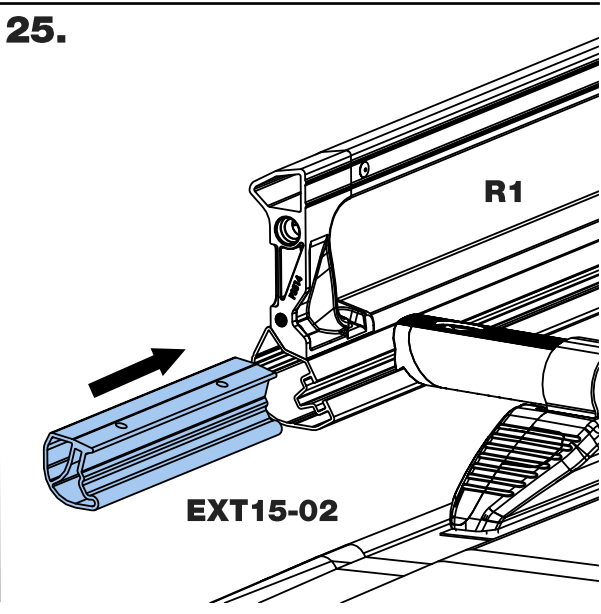
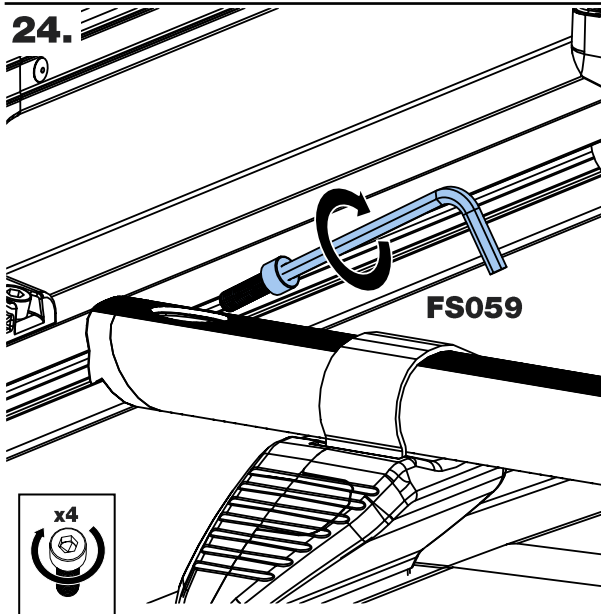
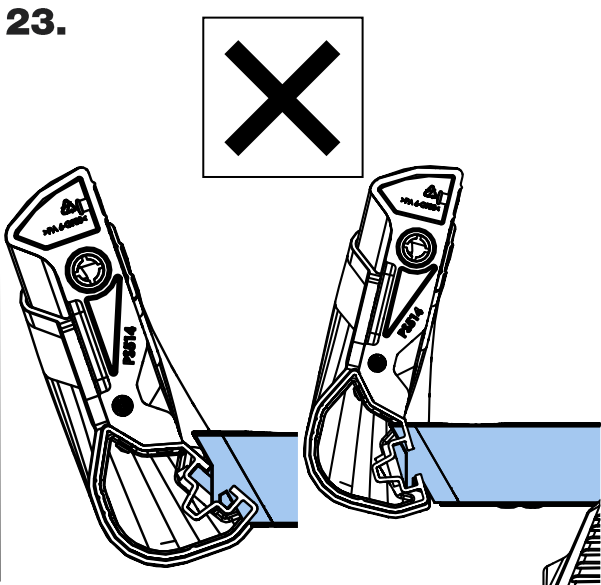
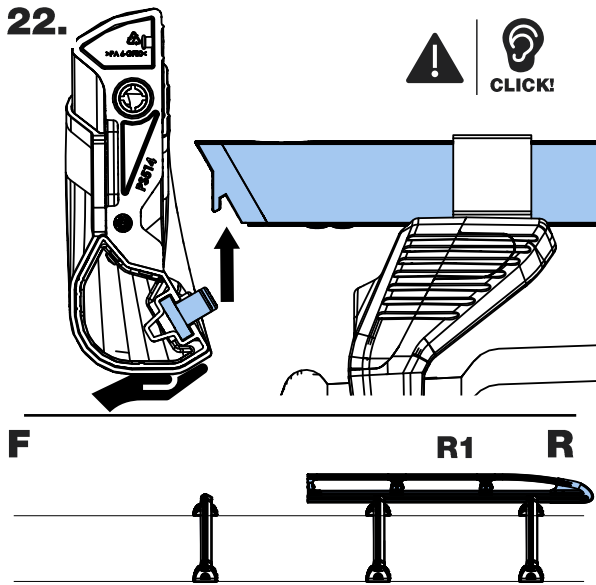
21.



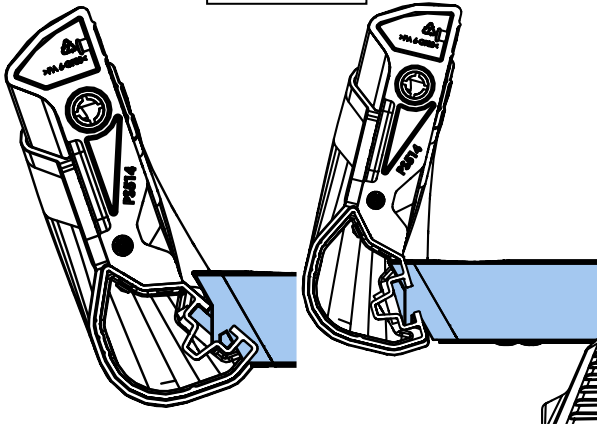
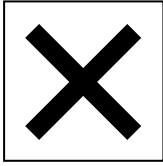
FN085



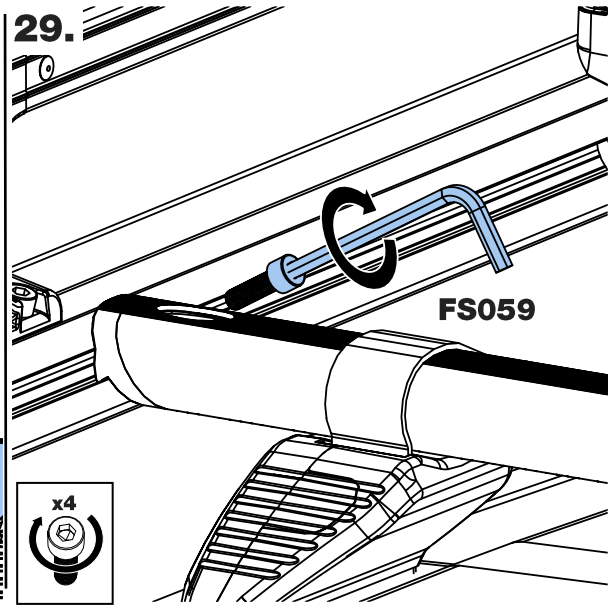
FN085



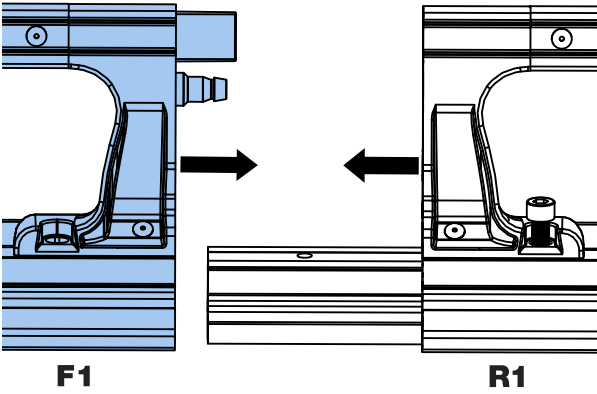
28.



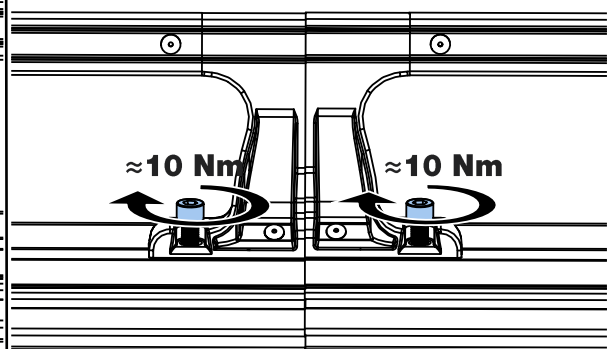
29.



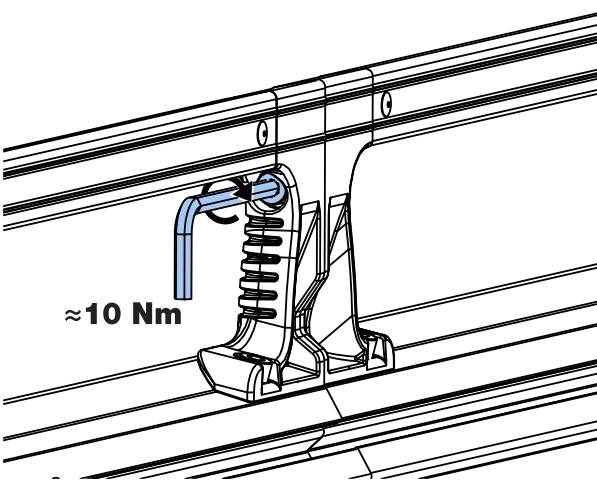
30.



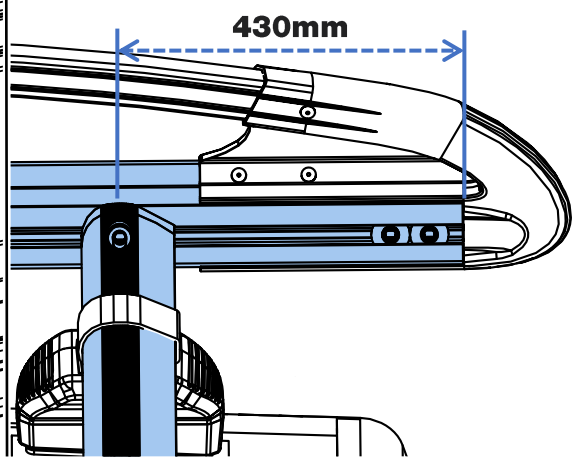
31.



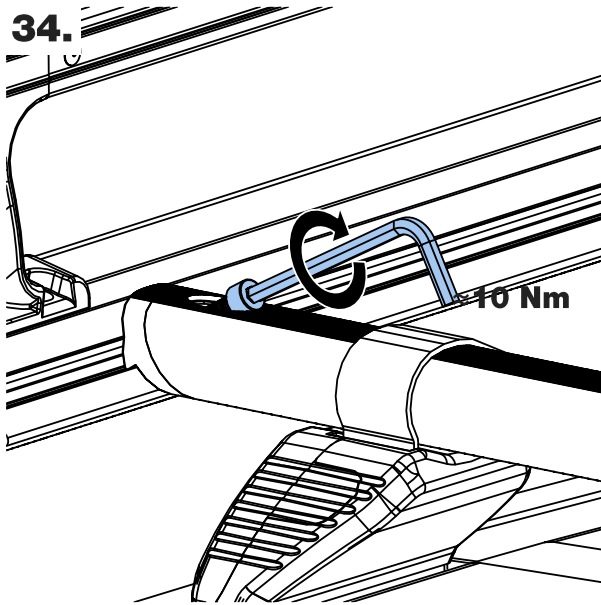
32.



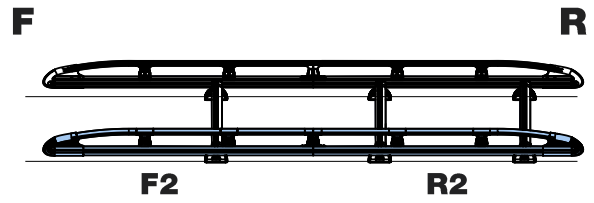
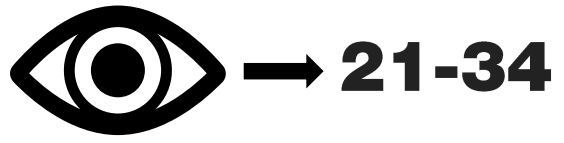
33.



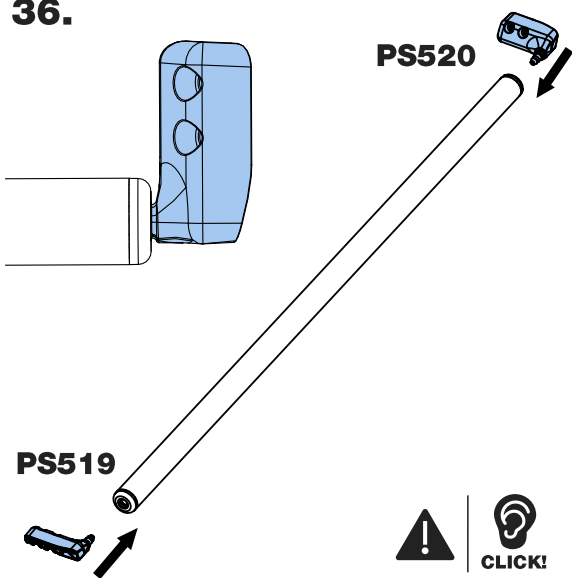
34.



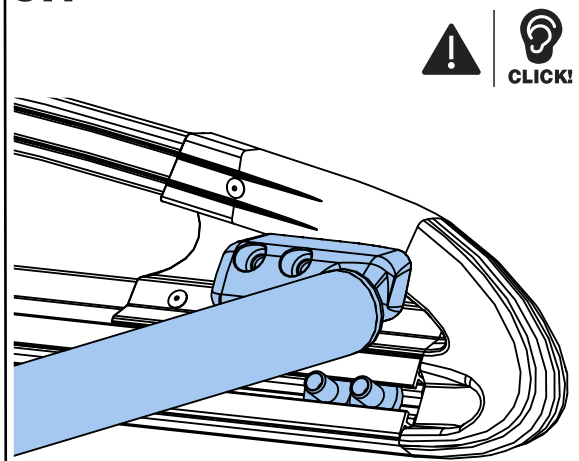
35.



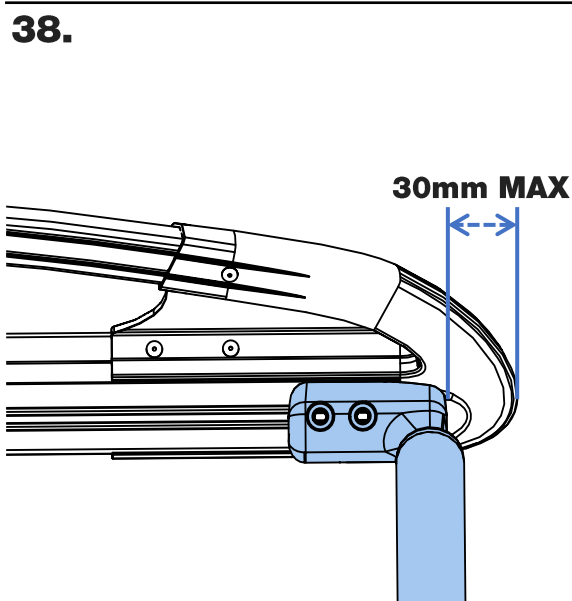
36.



37.



38.



39.

