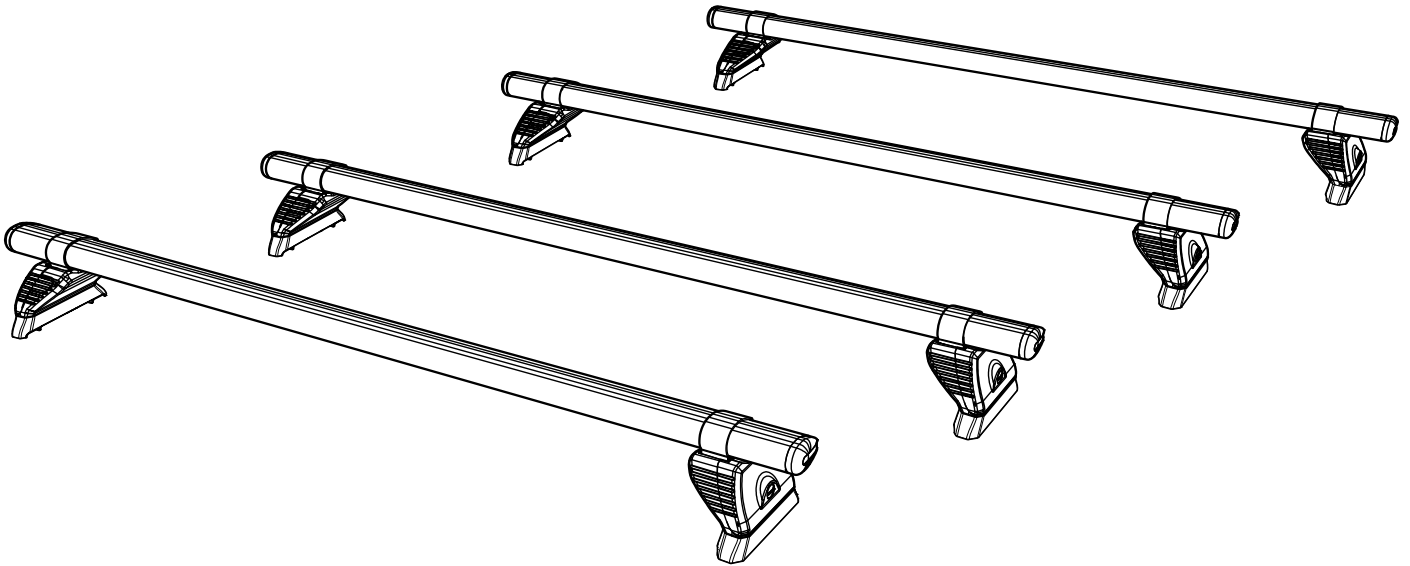


ISSUE:	DRAWN BY:	CHECKED BY:	CRF No:	DATE:	DESCRIPTION:
a	SJ	KB	2758	02/08/22	First Issue
b	YZL	KB	2958	22/05/23	Replaced SA070 with KLS2
c	FT	KB	3412	11/02/25	Added steps to fit new rear mounting point
d					
e					
f					
g					
h					
i					
j					
k					
l					
m					

XC4PR/FL

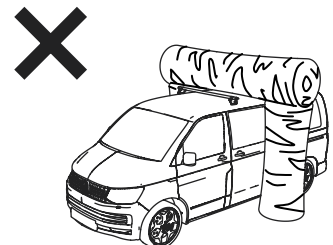
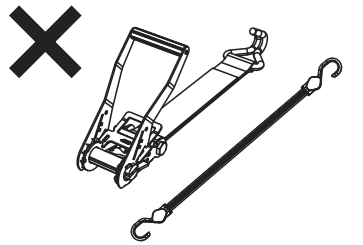
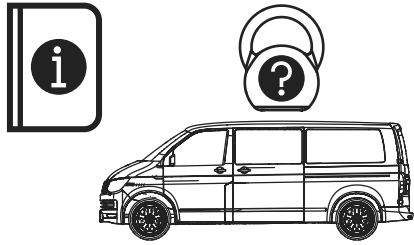
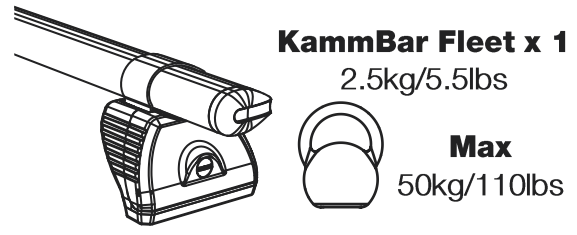
KammBar

Instructions

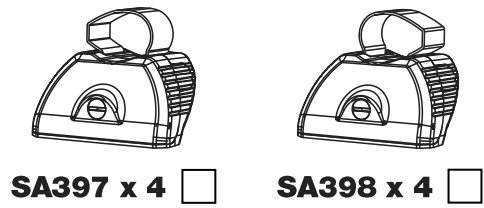
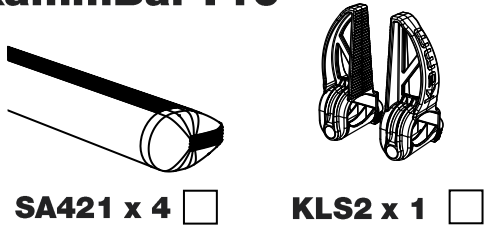


CITY CRASH (✓)

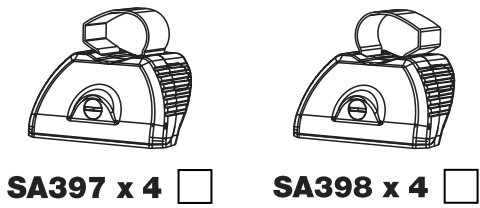
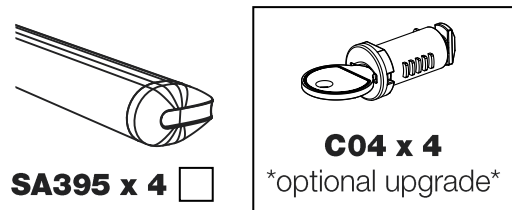
According to ISO/ PAS 11154:2006



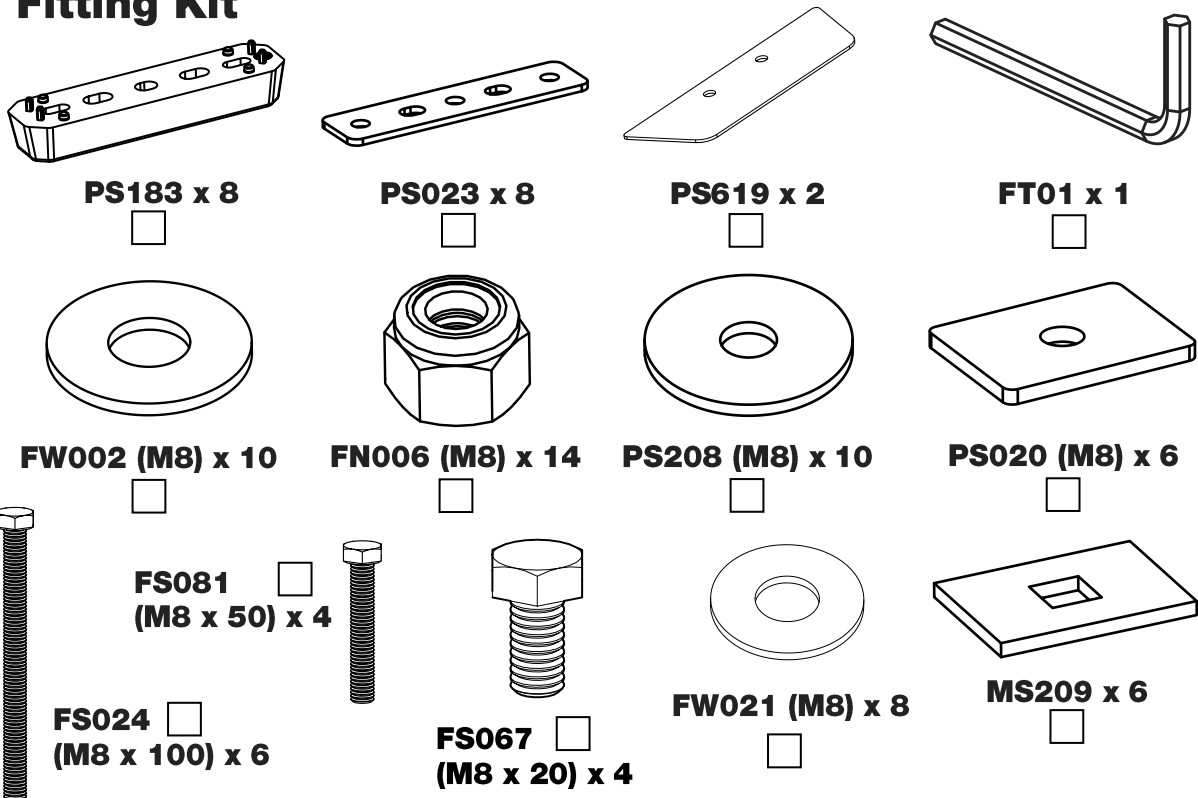
KammBar Pro



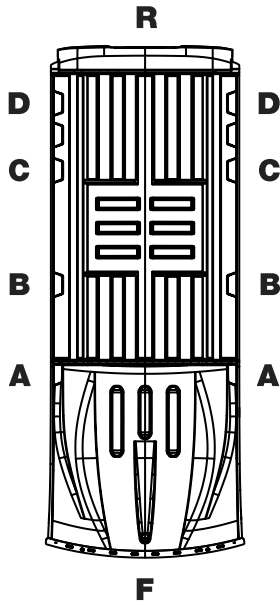
KammBar Fleet



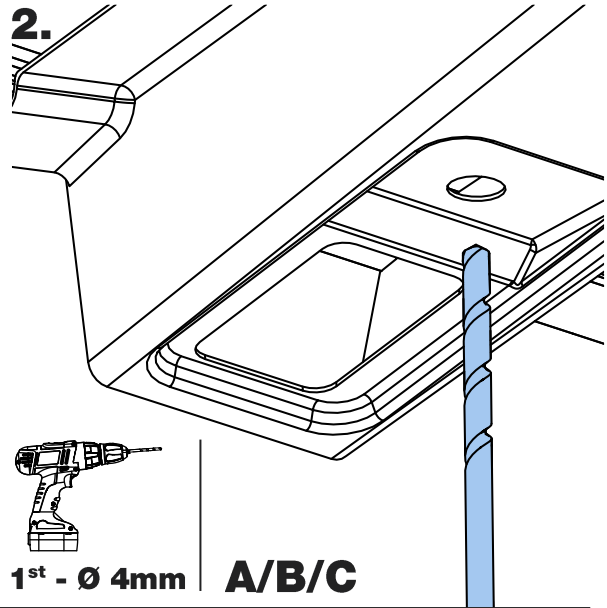
Fitting Kit



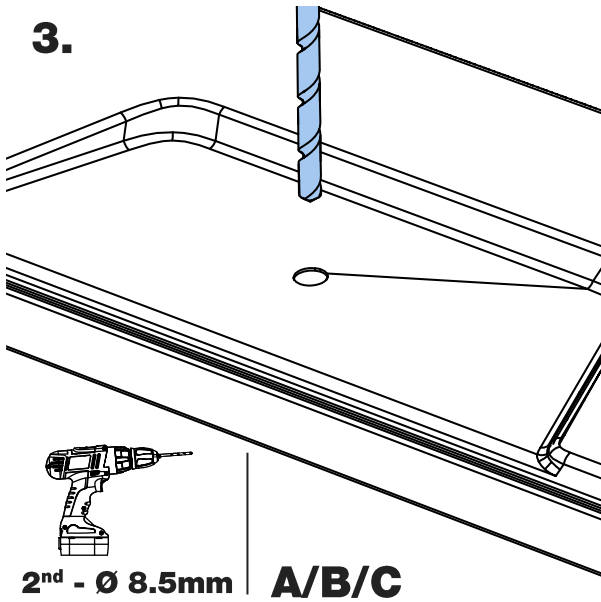
1.



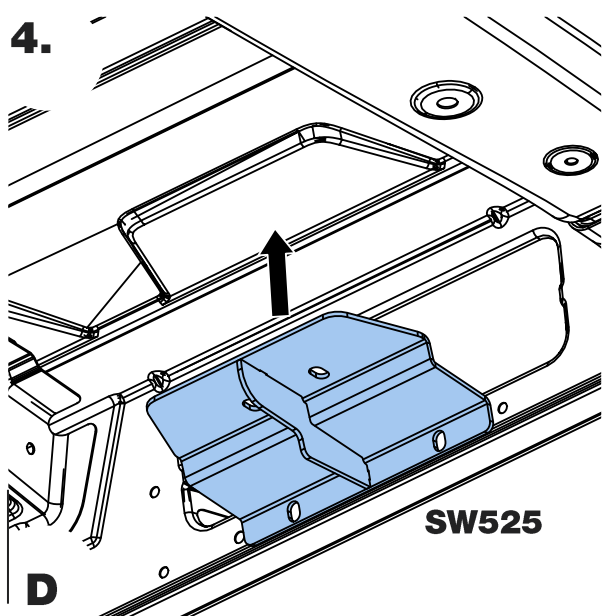
2.



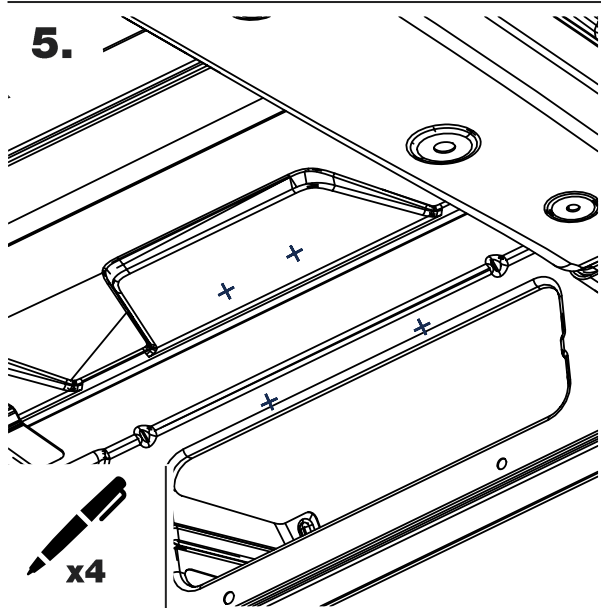
3.



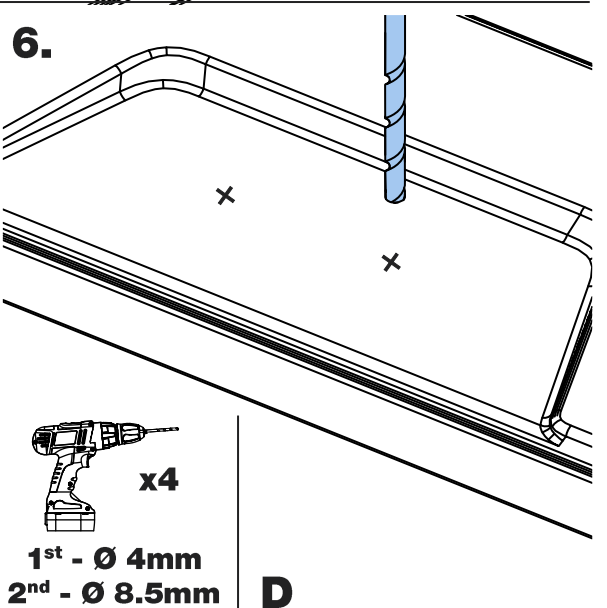
4.



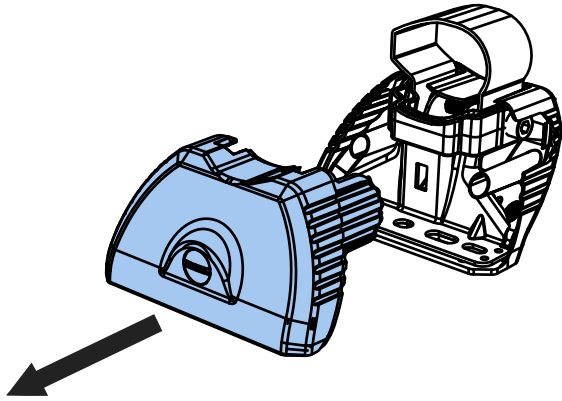
5.



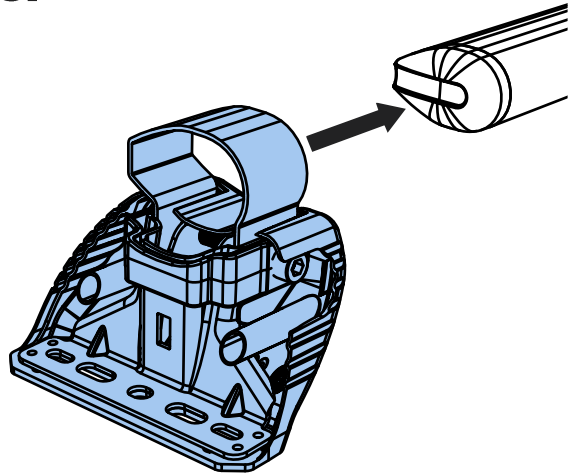
6.



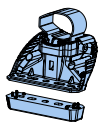
7.



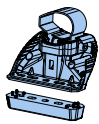
8.



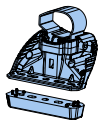
9.



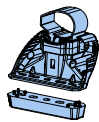
SA397



SA397

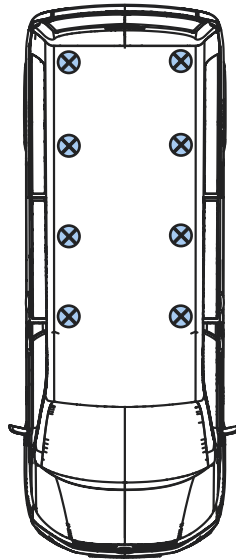


SA397

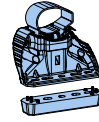


SA397

PS183

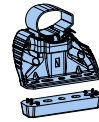


SA398



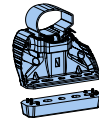
PS183

SA398



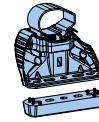
PS183

SA398



PS183

SA398



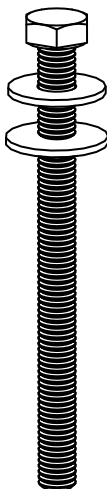
PS183

10.

FW002

PS208

FS024



M8 x 100mm



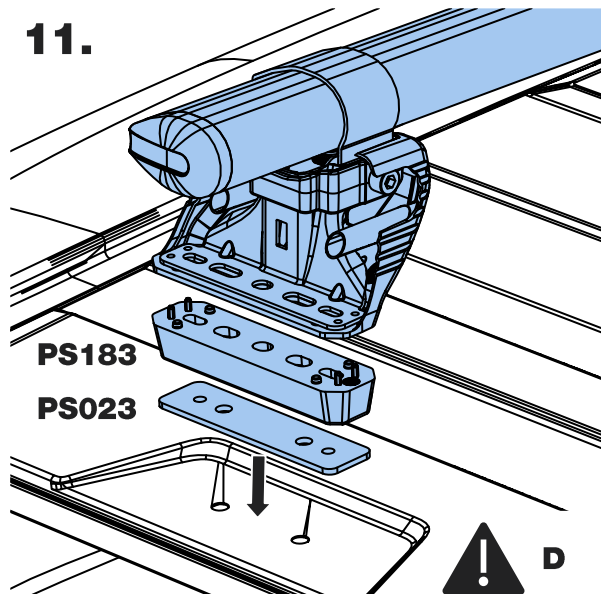
M8 x 50mm

FW002

PS208

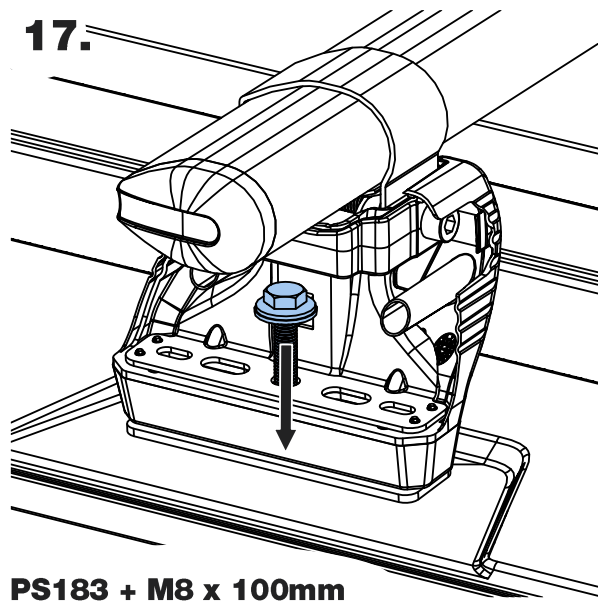
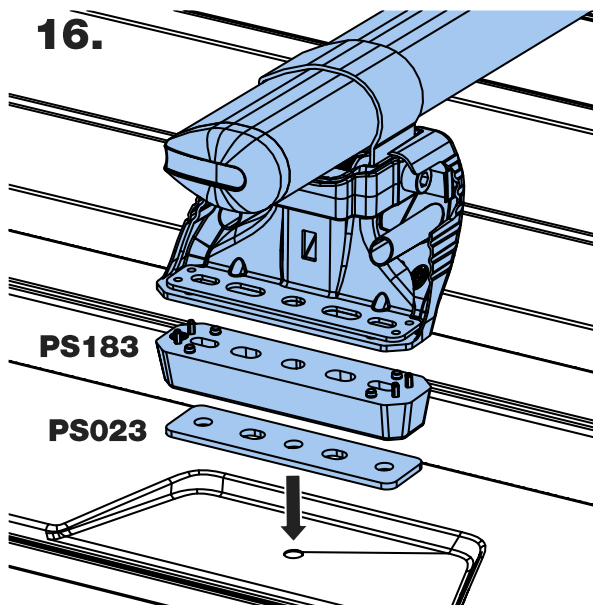
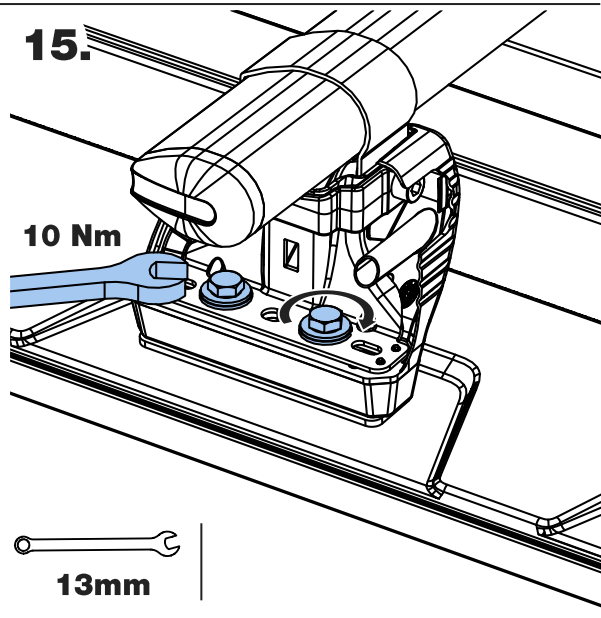
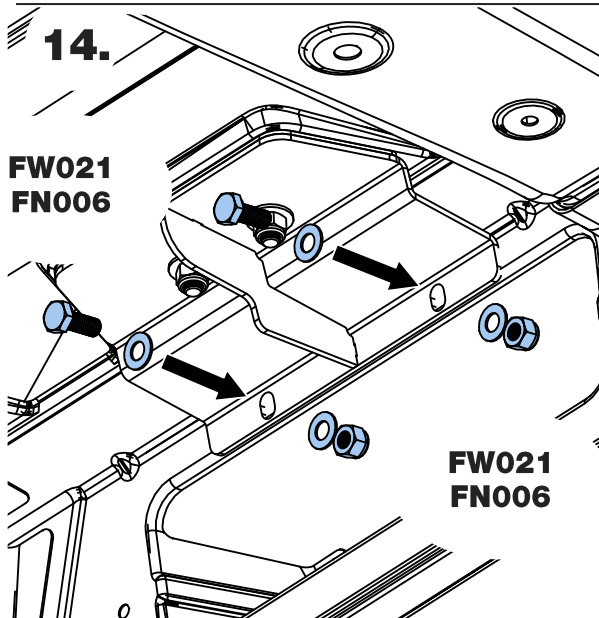
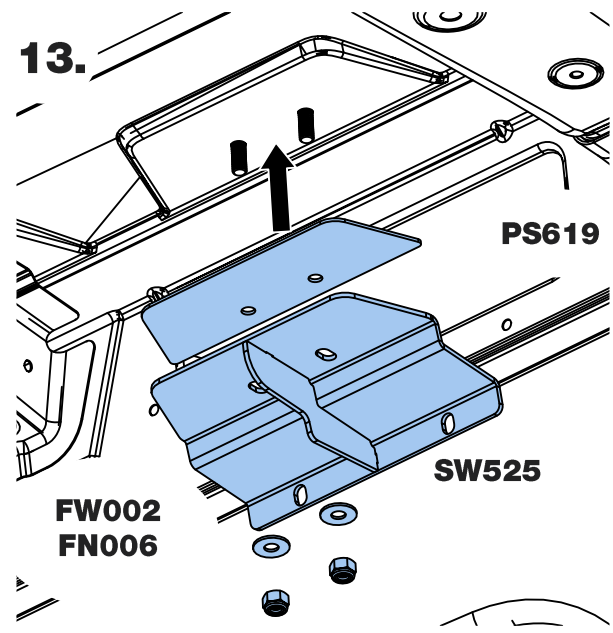
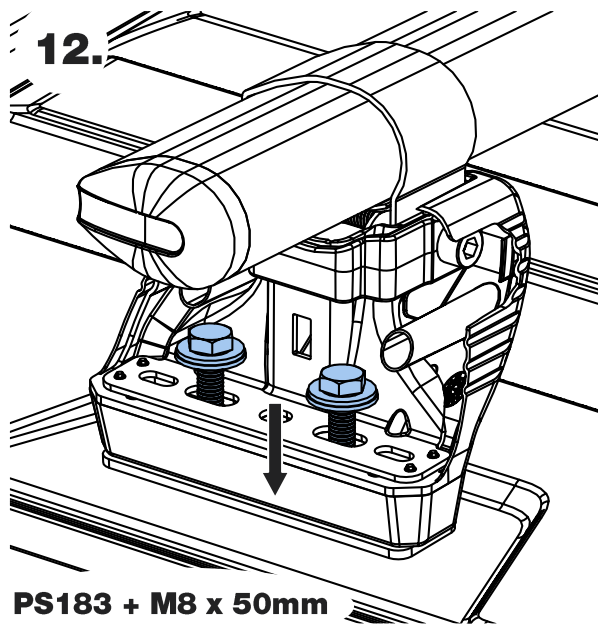
FS081

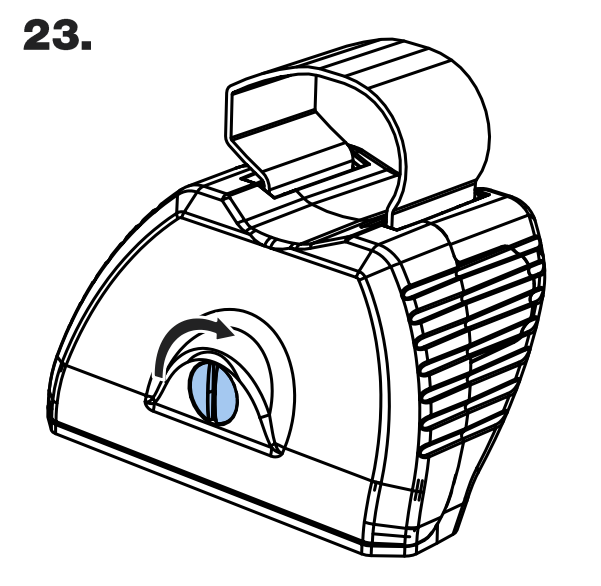
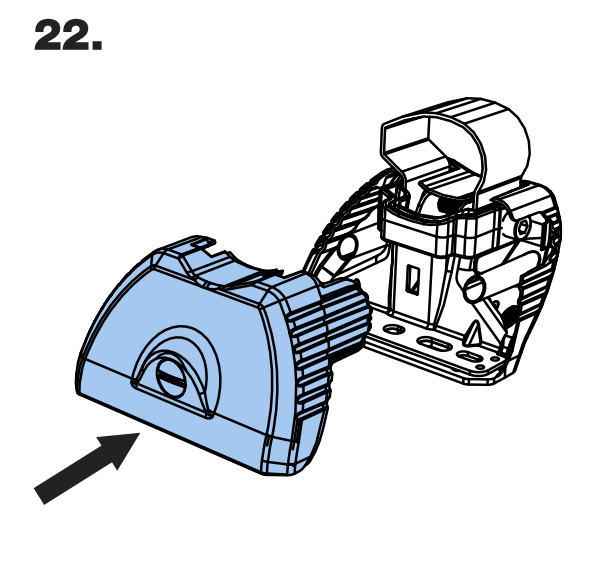
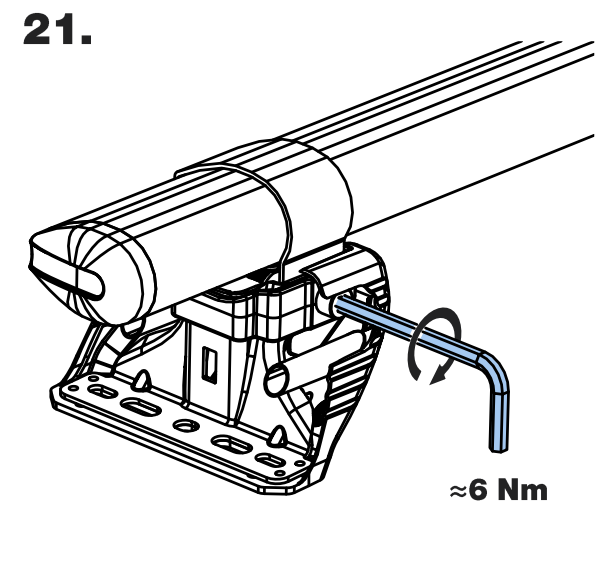
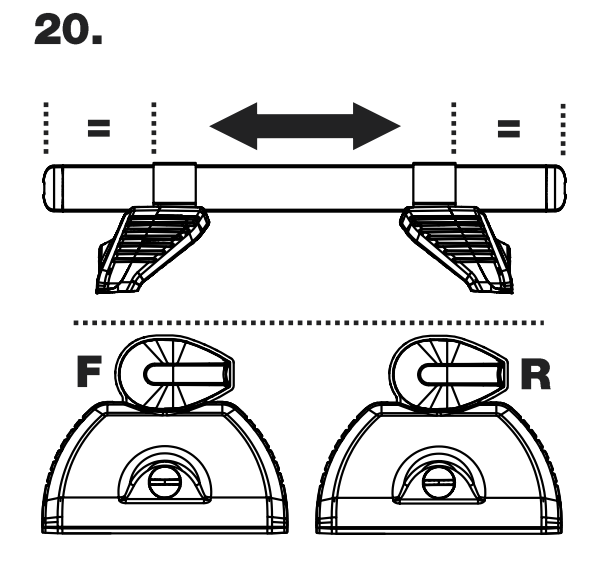
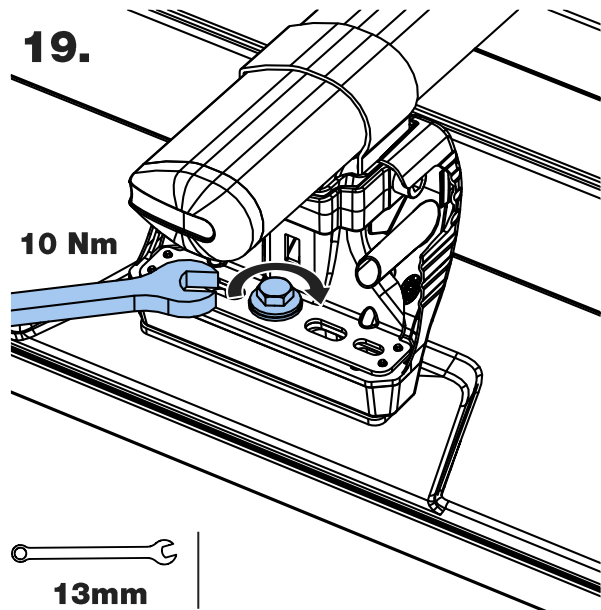
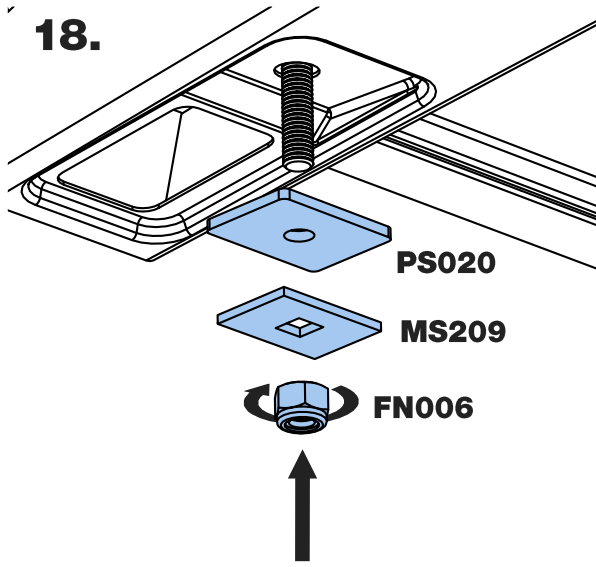
11.



PS183

PS023





24.

