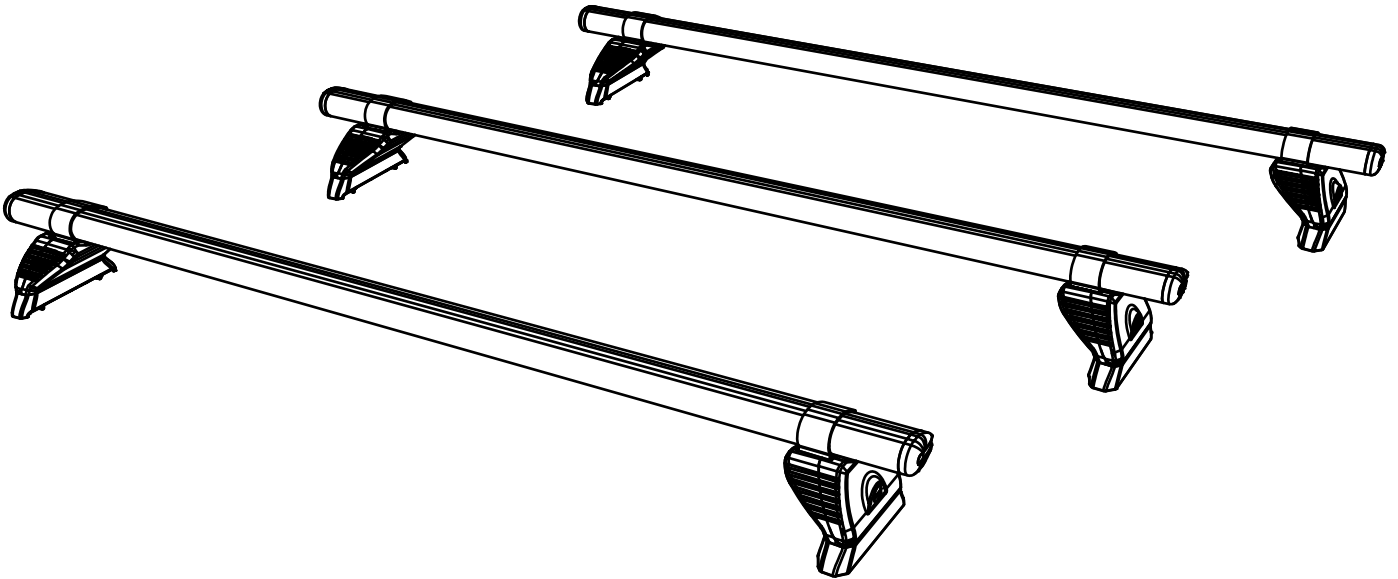


ISSUE:	DRAWN BY:	CHECKED BY:	CRF No:	DATE:	DESCRIPTION:
a	SJ	KB	2758	02/08/22	First Issue
b	YZL	KB	2958	22/05/23	Replaced SA070 with KLS2
c	FT	KB	3412	11/02/25	Added steps to fit new rear mounting point
d					
e					
f					
g					
h					
i					
j					
k					
l					
m					

XC3PR/FL

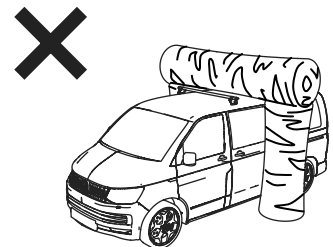
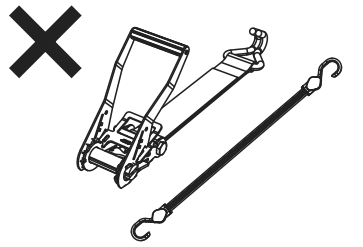
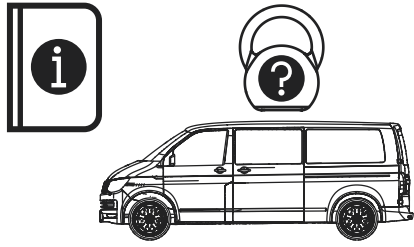
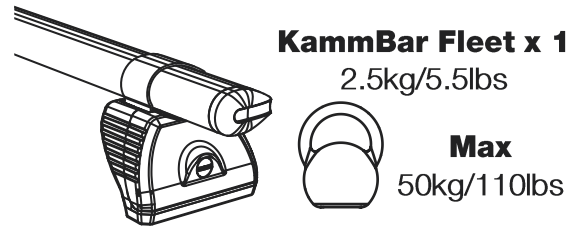
KammBar

Instructions

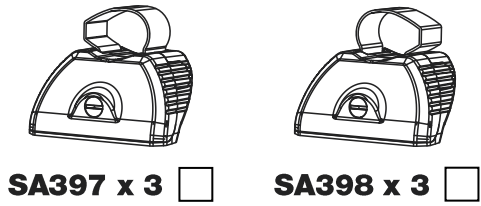
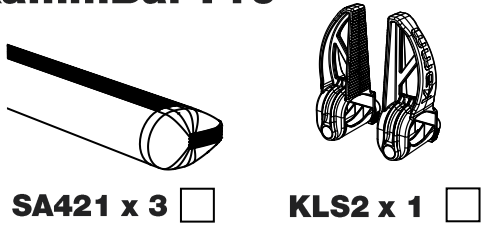


CITY CRASH (✓)

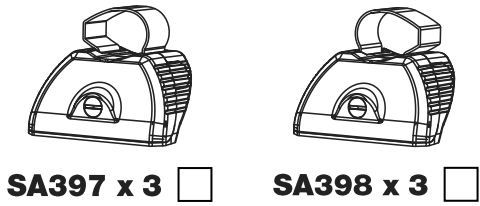
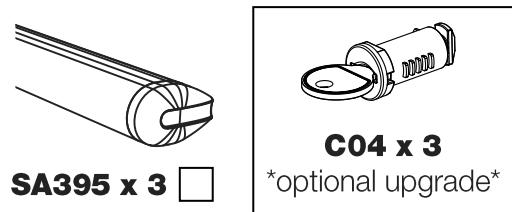
According to ISO/ PAS 11154:2006



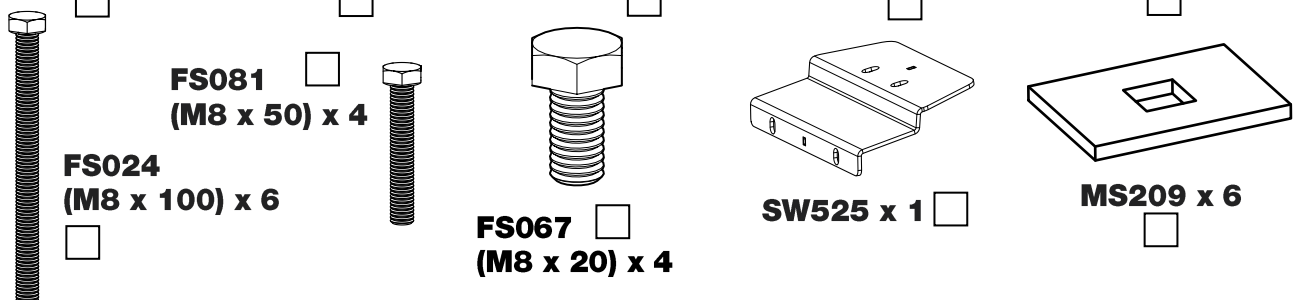
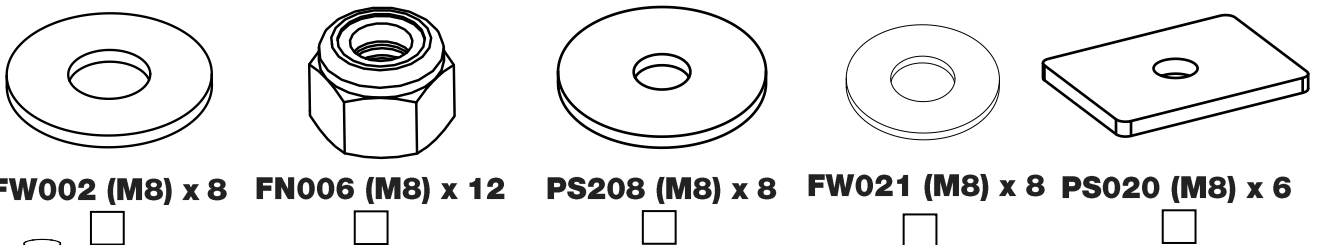
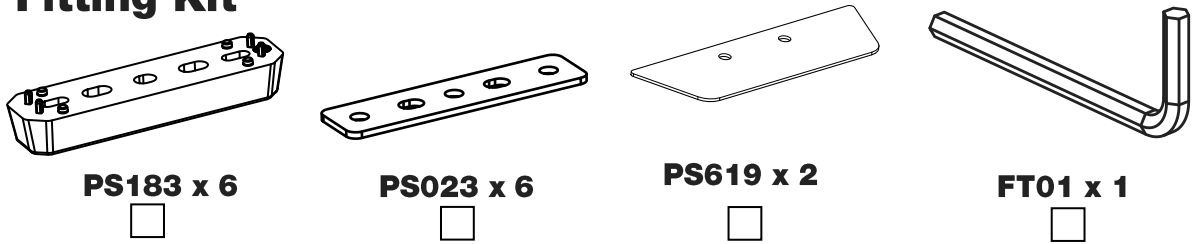
KammBar Pro



KammBar Fleet

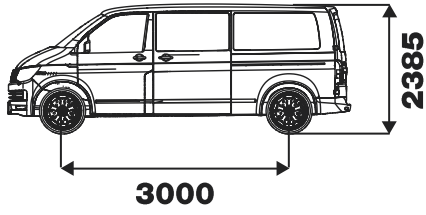


Fitting Kit

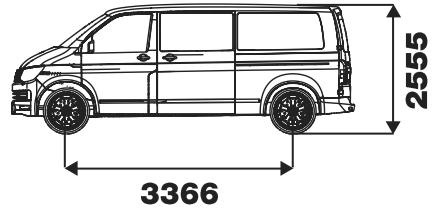




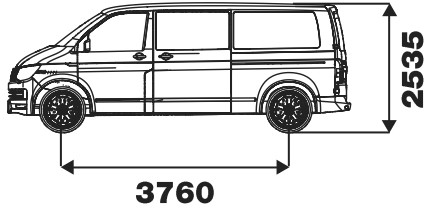
L1/H1 = 1-4, 17-33.



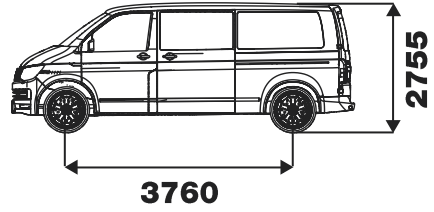
L2/H2 = 5-10, 17-33.



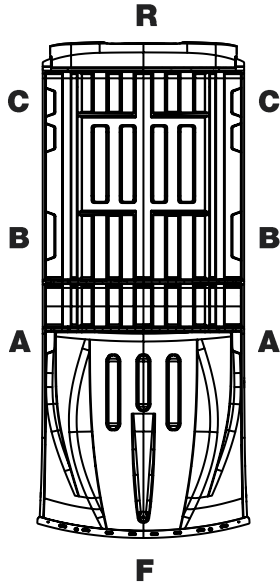
L3/H2 = 11-33.



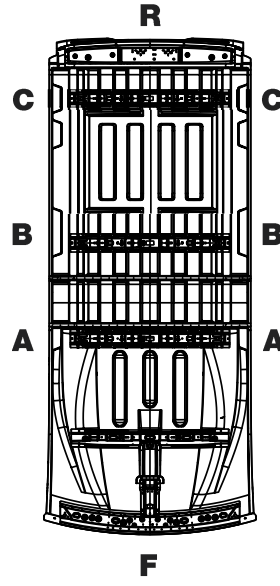
L3/H3 = 11-33.



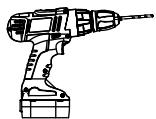
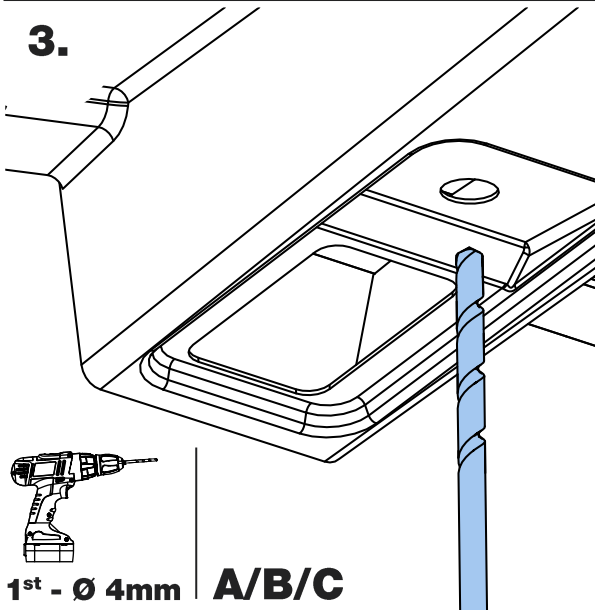
1.



2.

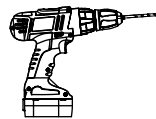
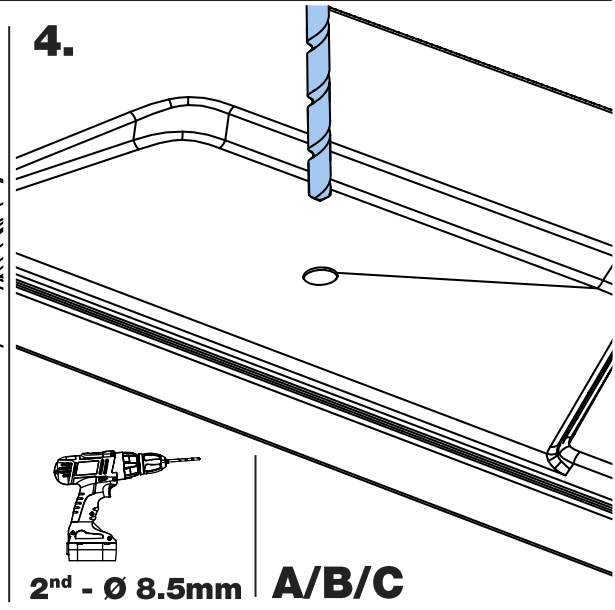


3.

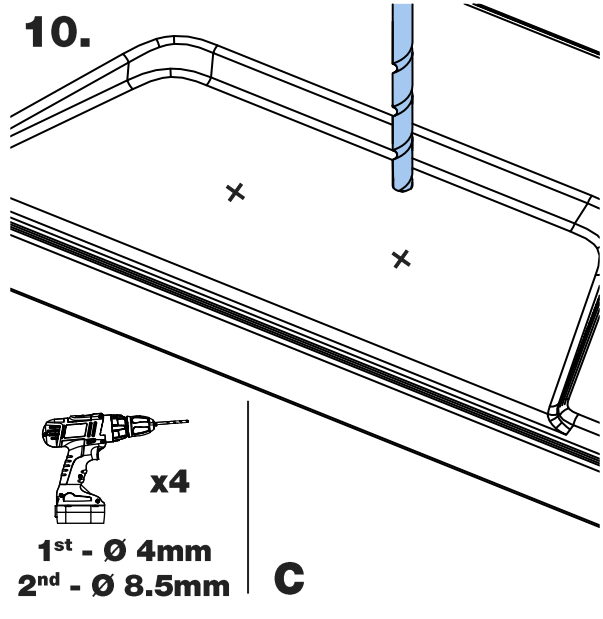
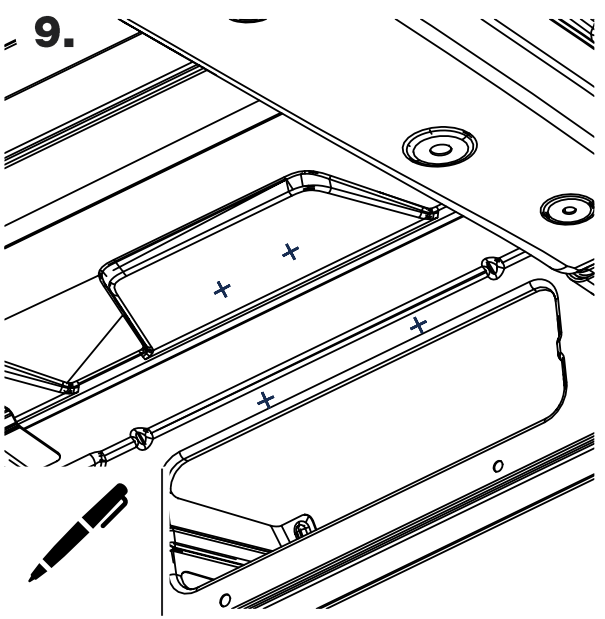
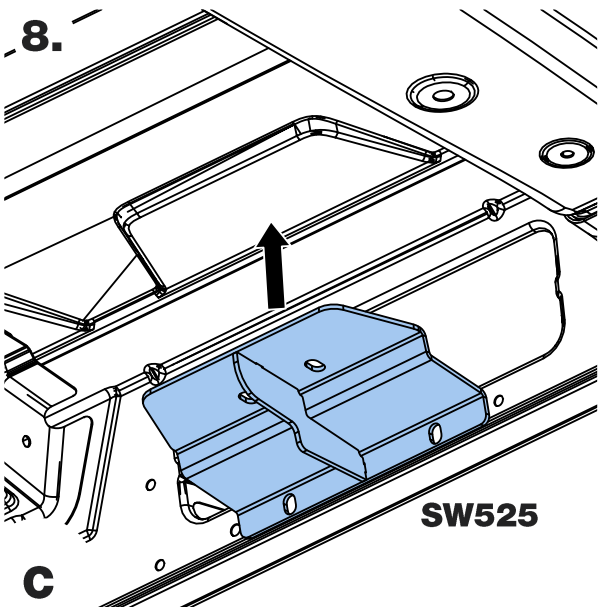
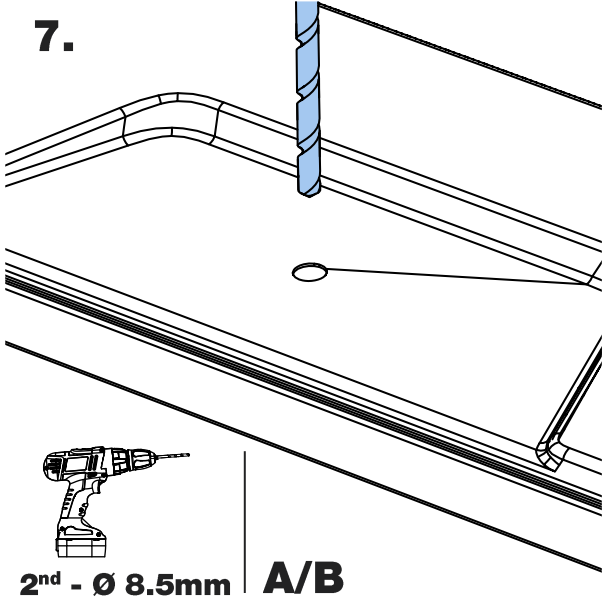
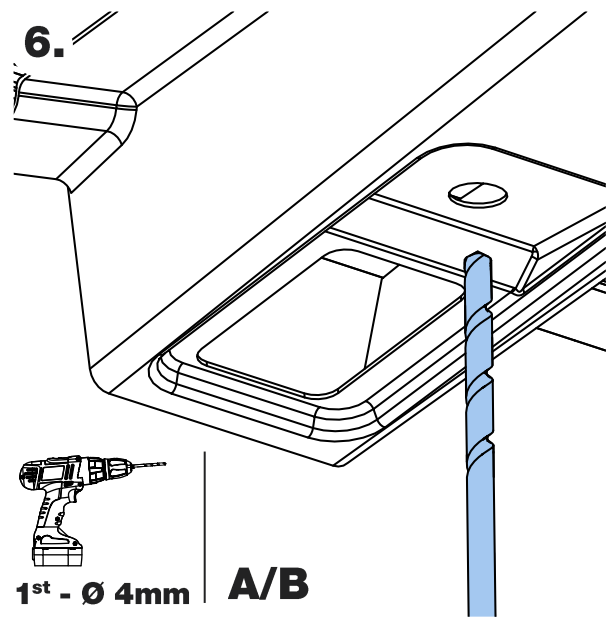
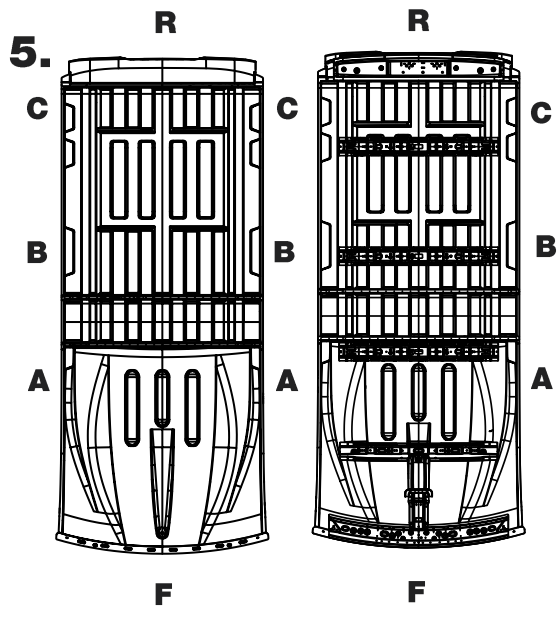


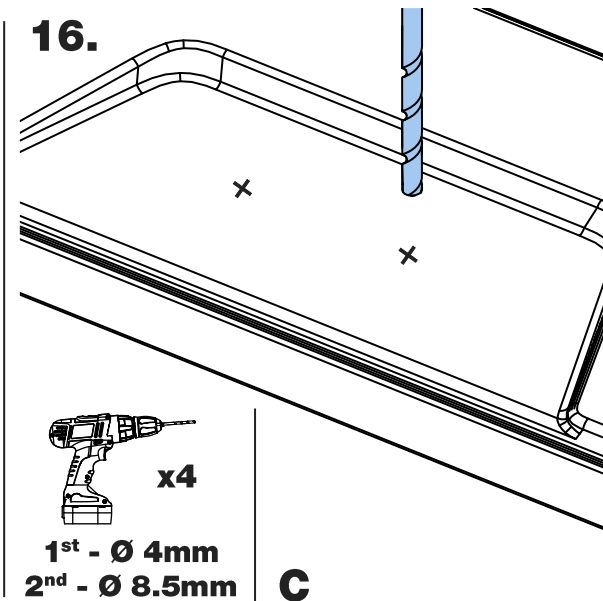
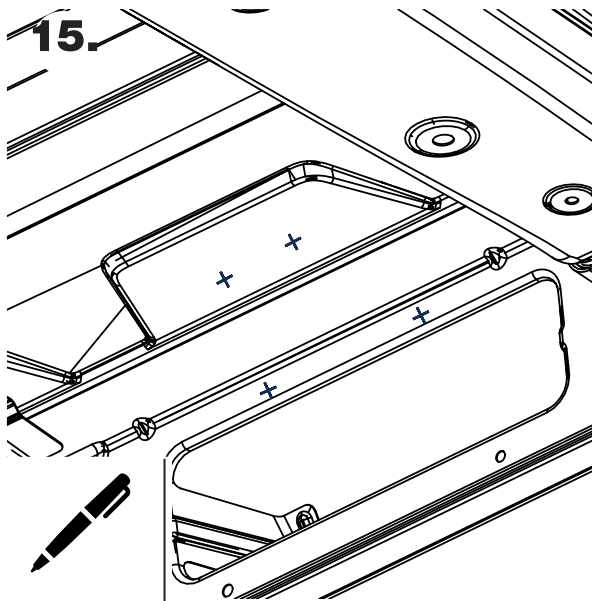
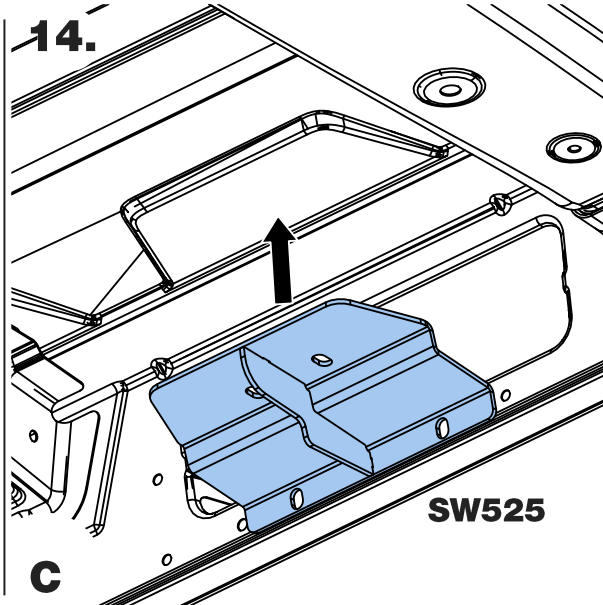
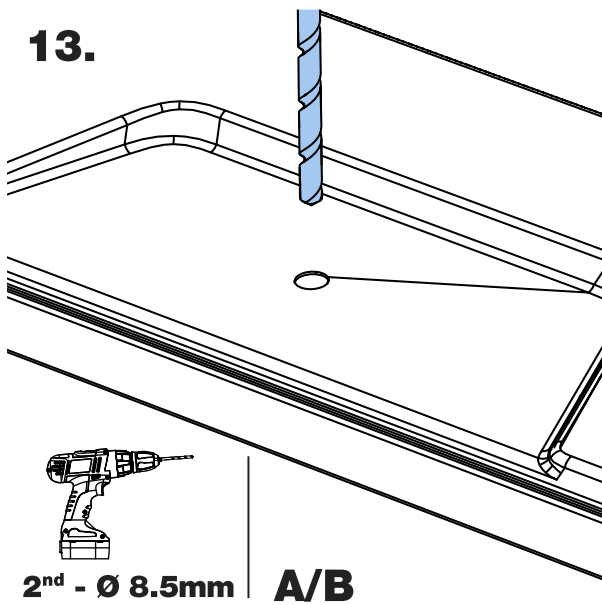
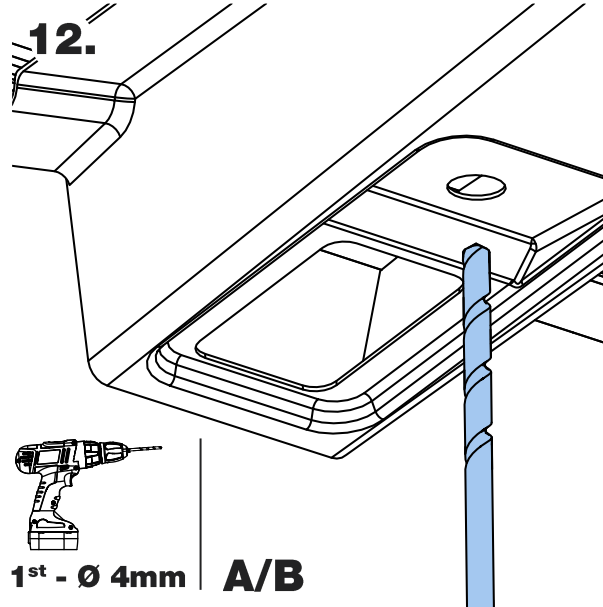
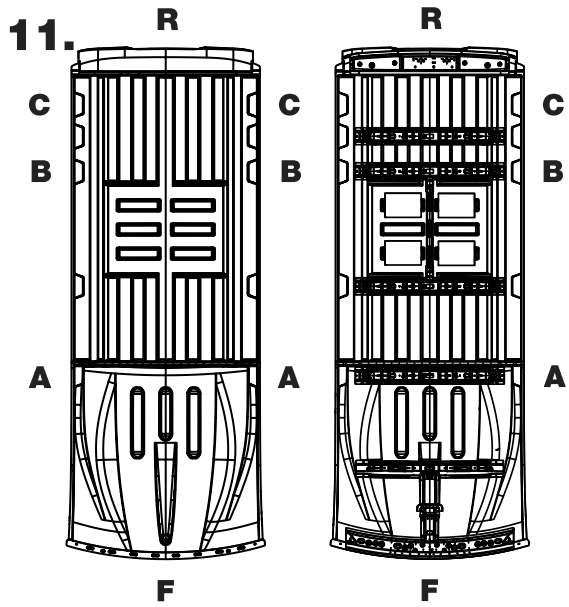
1st - Ø 4mm A/B/C

4.

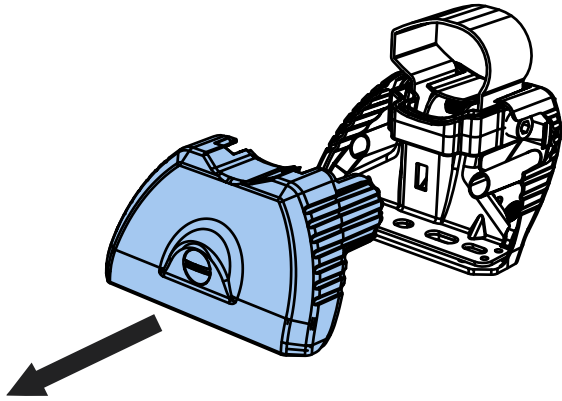


2nd - Ø 8.5mm A/B/C

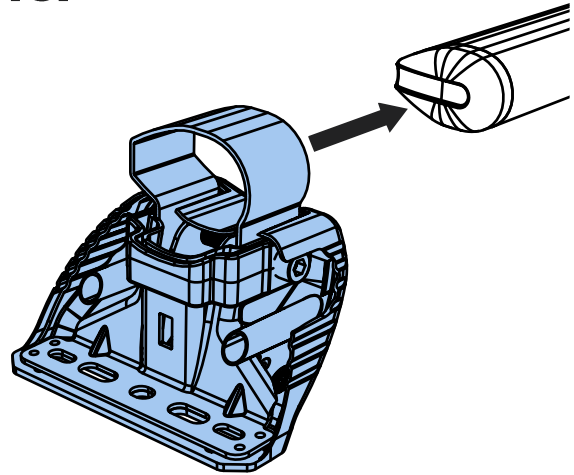




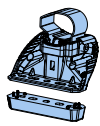
17.



18.

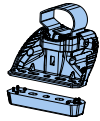


19.



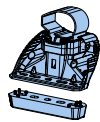
SA397

PS183



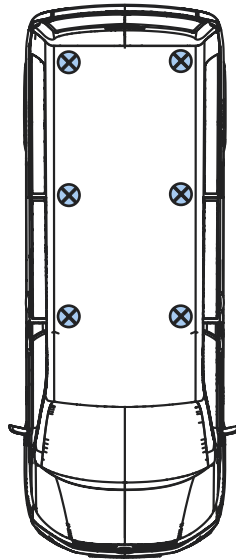
SA397

PS183

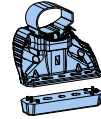


SA397

PS183

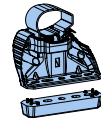


SA398



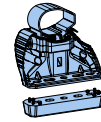
PS183

SA398



PS183

SA398



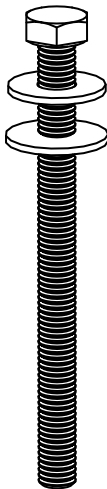
PS183

20.

FW002

PS208

FS024



M8 x 100mm



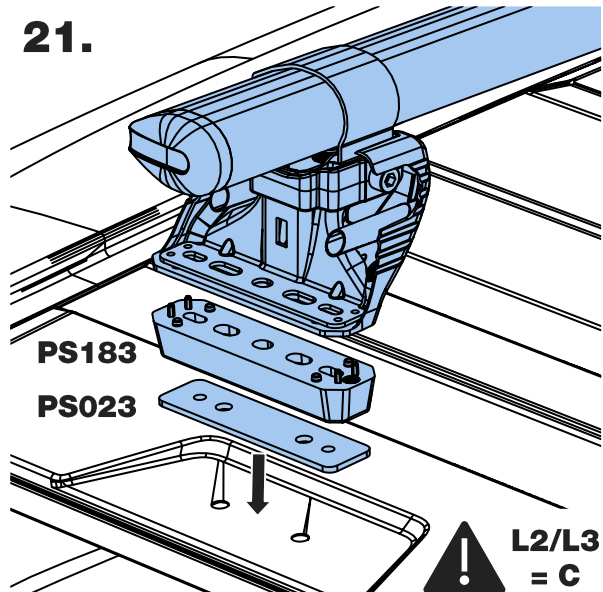
M8 x 50mm

FW002

PS208

FS081

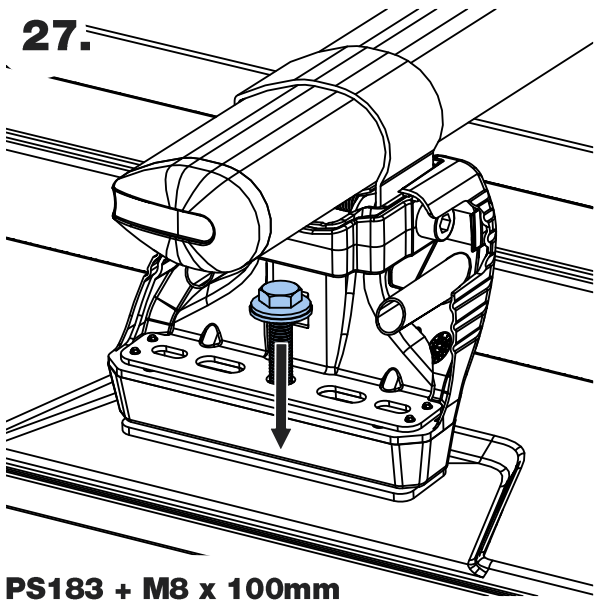
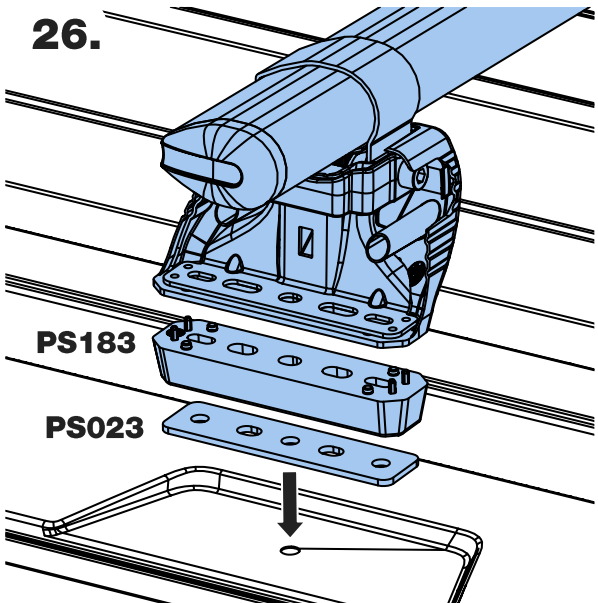
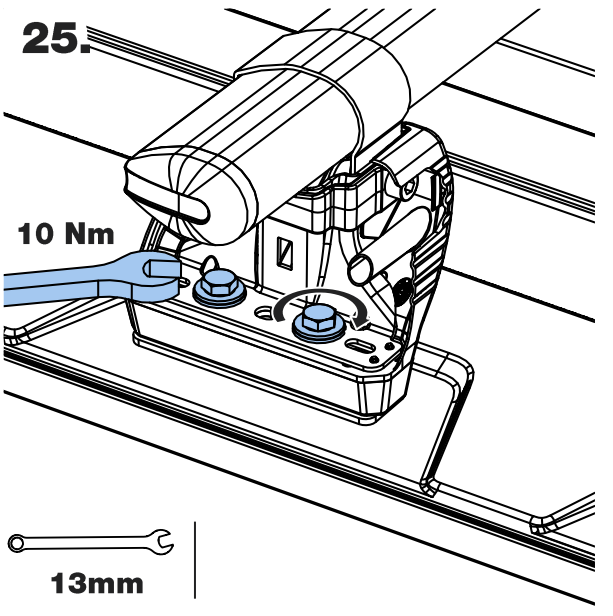
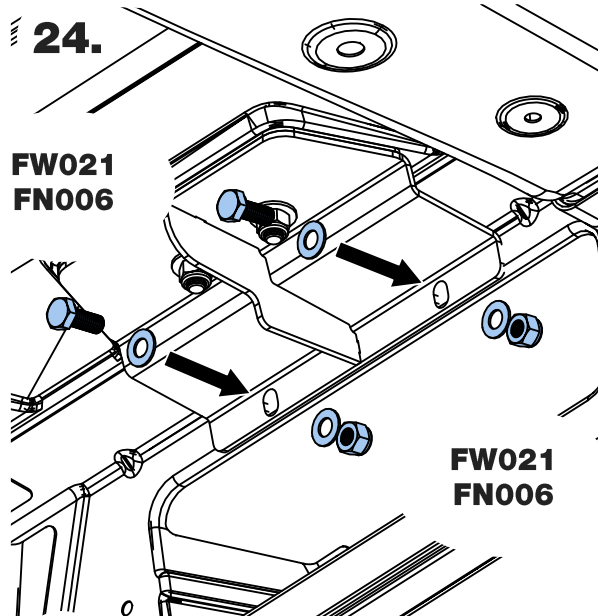
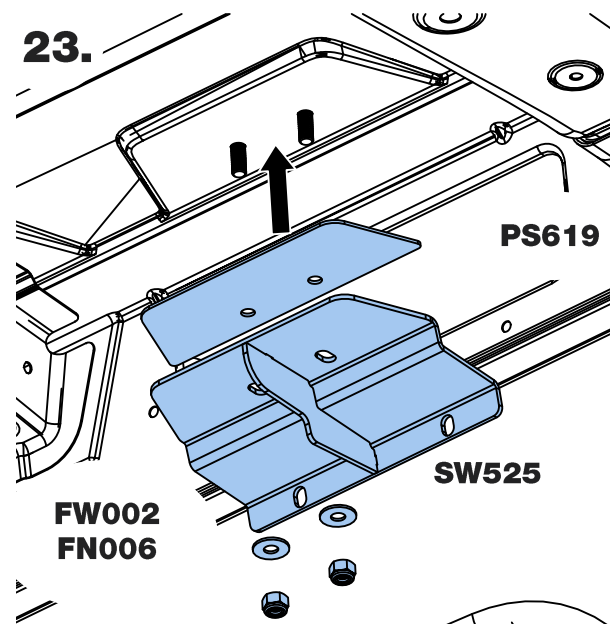
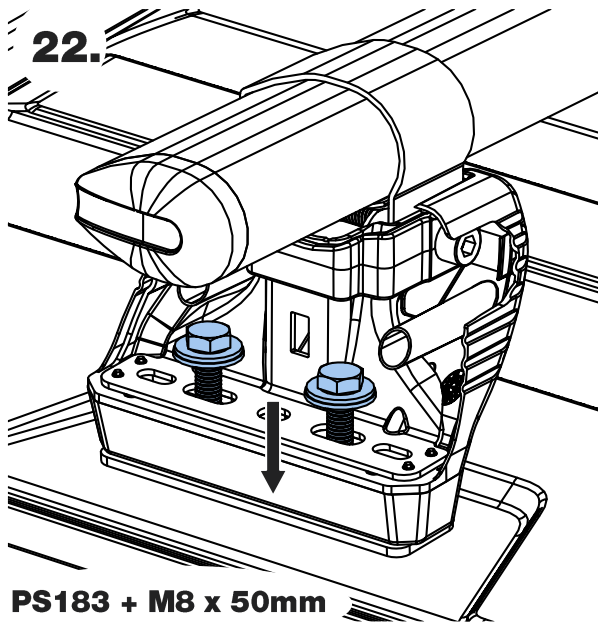
21.

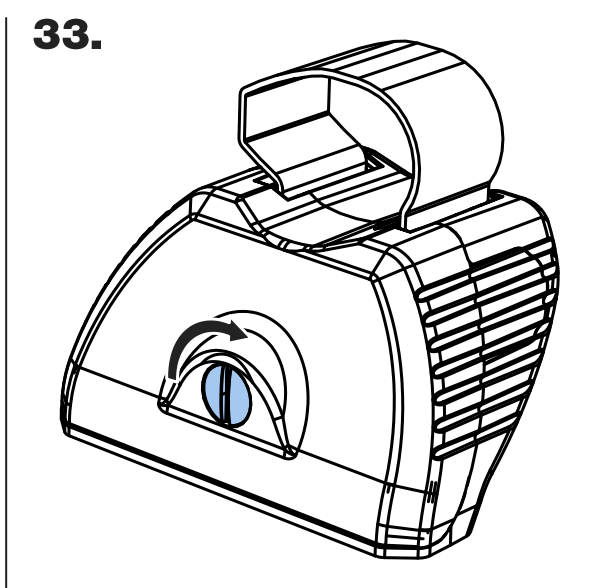
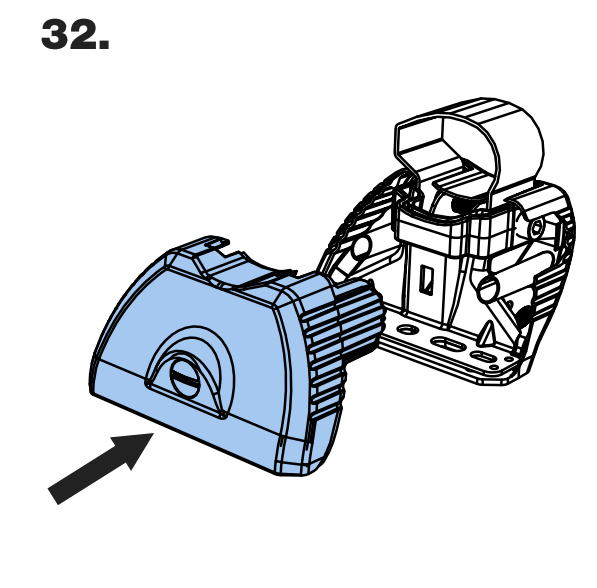
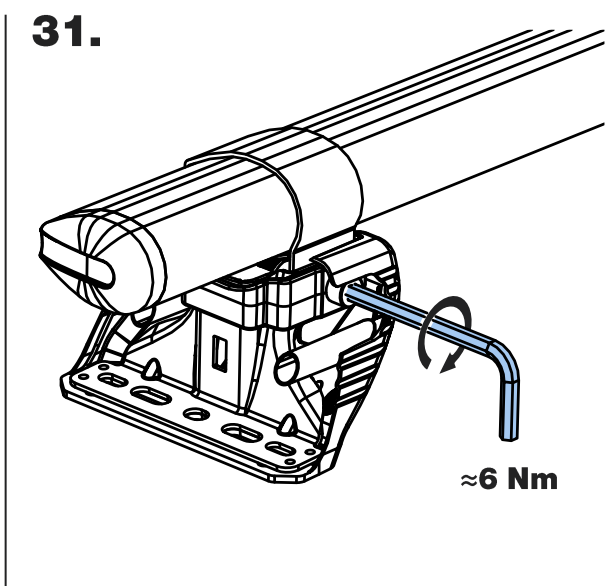
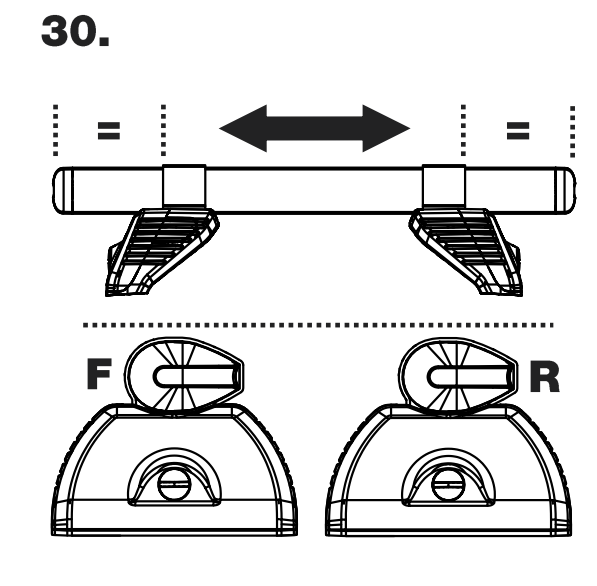
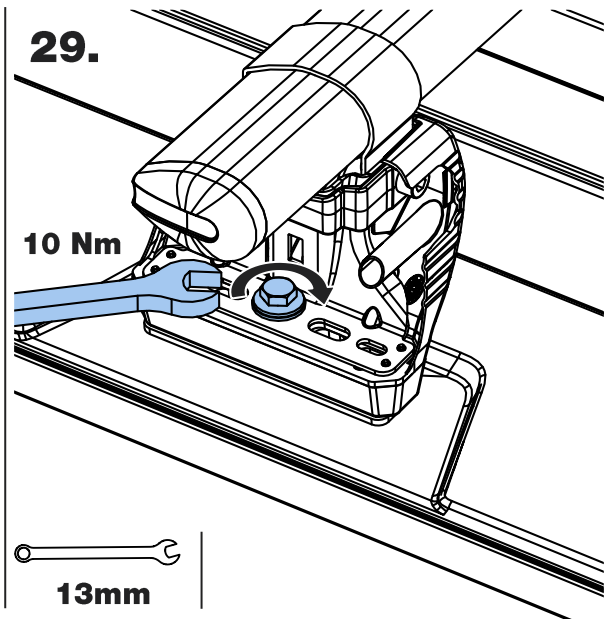
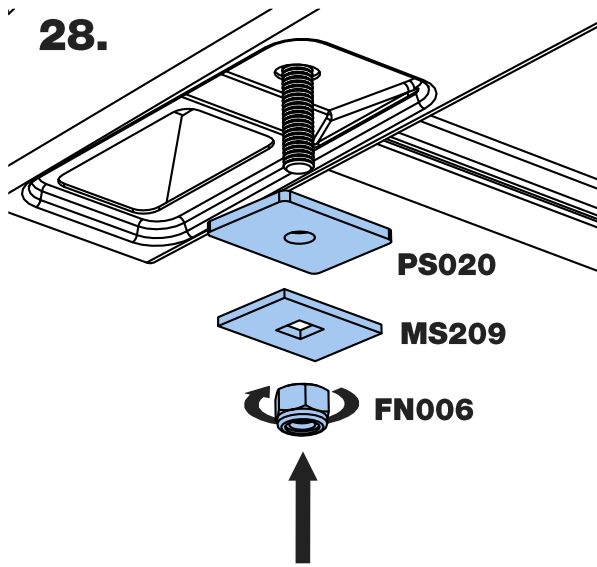


PS183

PS023

L2/L3 = C





34.

