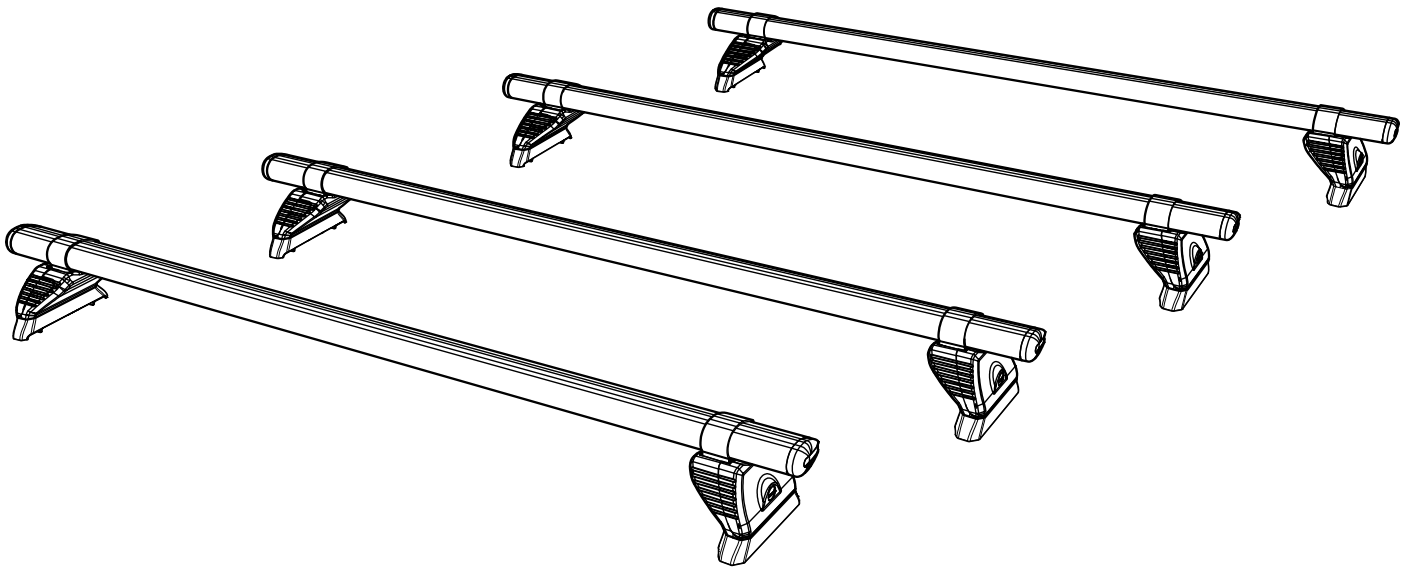
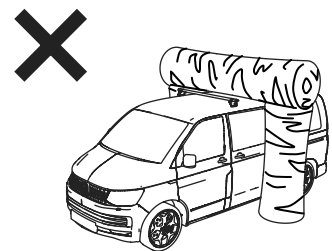
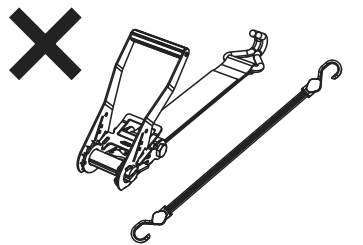
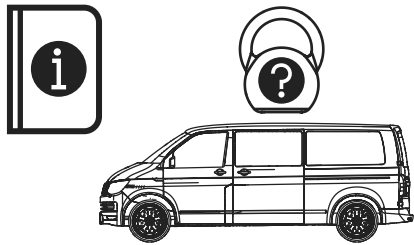
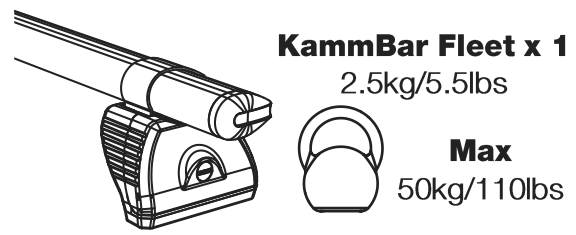


VA4PR KammBar Instructions

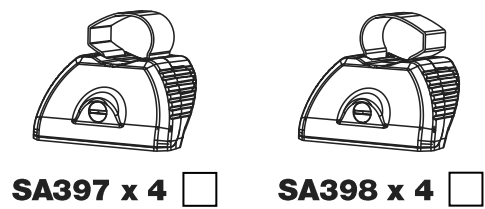
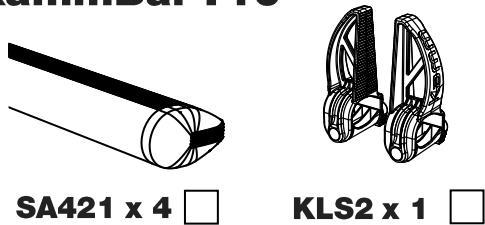


CITY CRASH (✓)

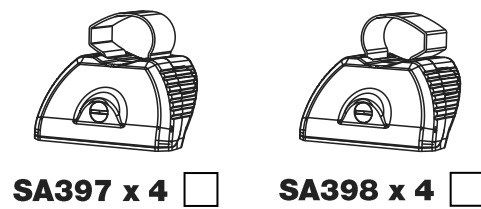
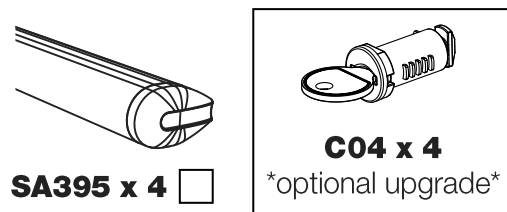
According to ISO/ PAS 11154:2006



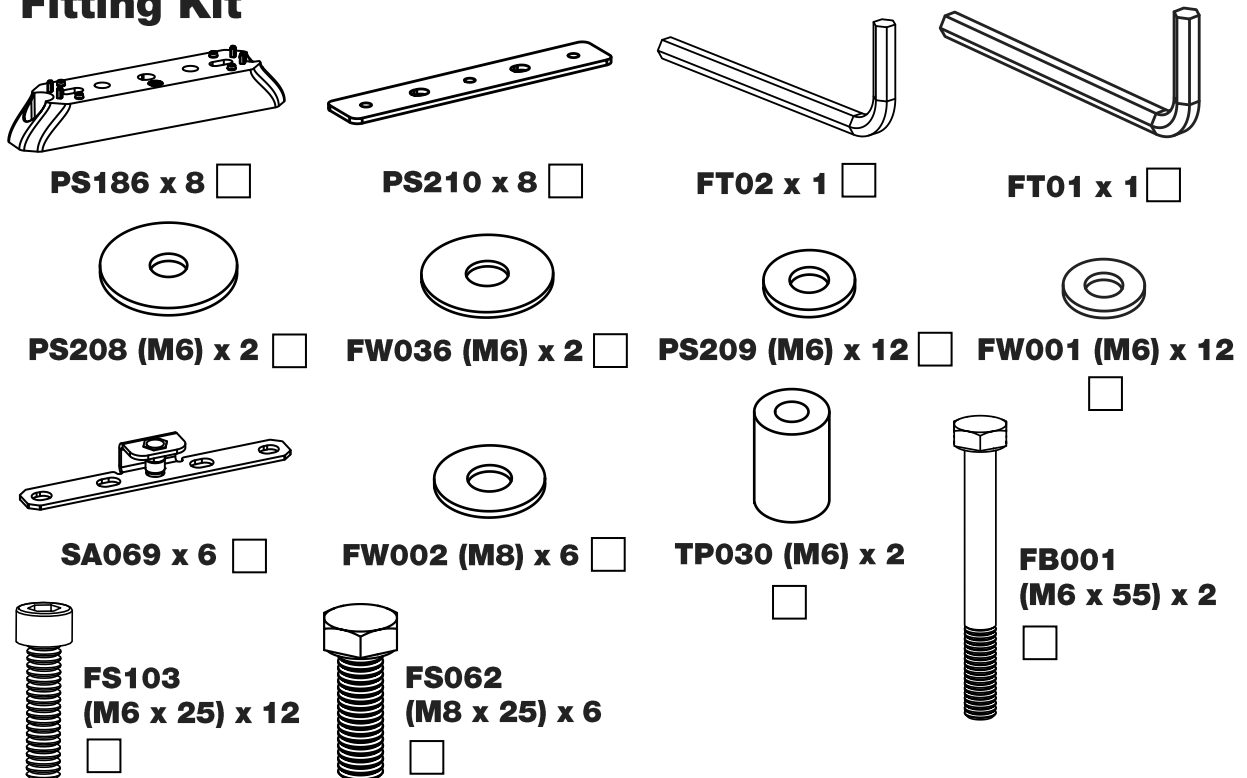
KammBar Pro



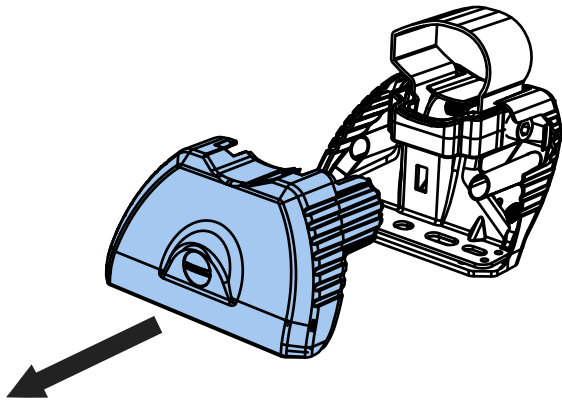
KammBar Fleet



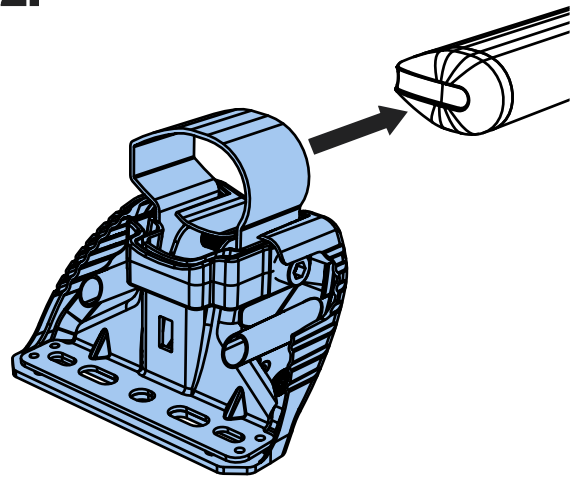
Fitting Kit



1.



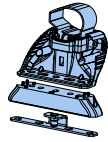
2.



3.



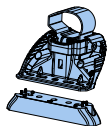
SA397
PS186
SA069



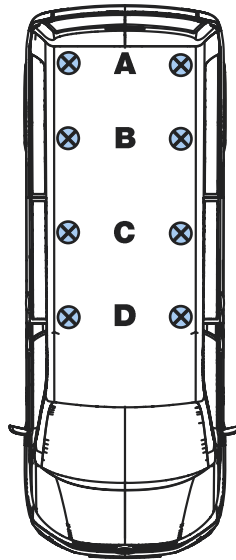
SA397
PS186
SA069



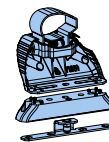
SA397
PS186
SA069



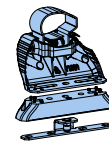
SA397
PS186



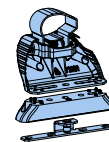
SA398
PS186
SA069



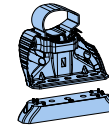
SA398
PS186
SA069



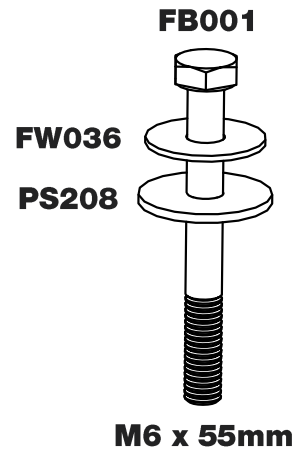
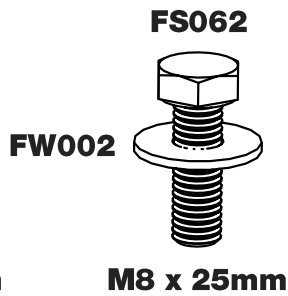
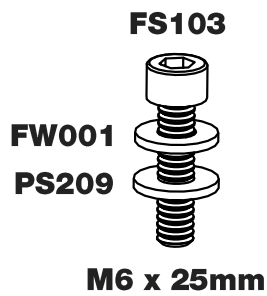
SA398
PS186
SA069



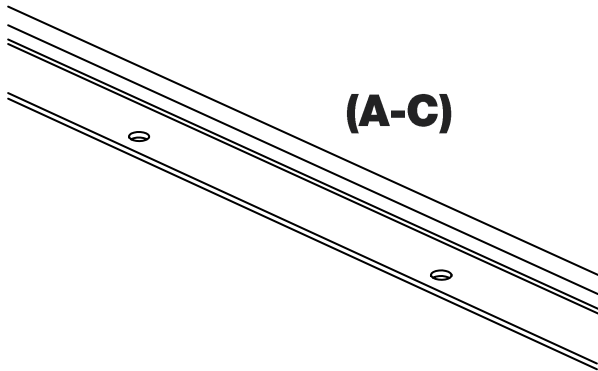
SA398
PS186



4.



5.

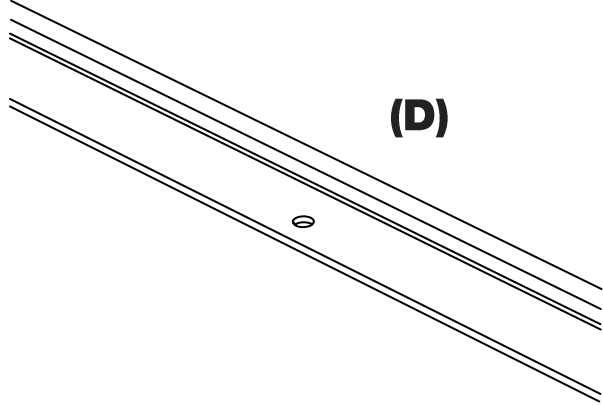


(A-C)



7-13, 17-20.

6.

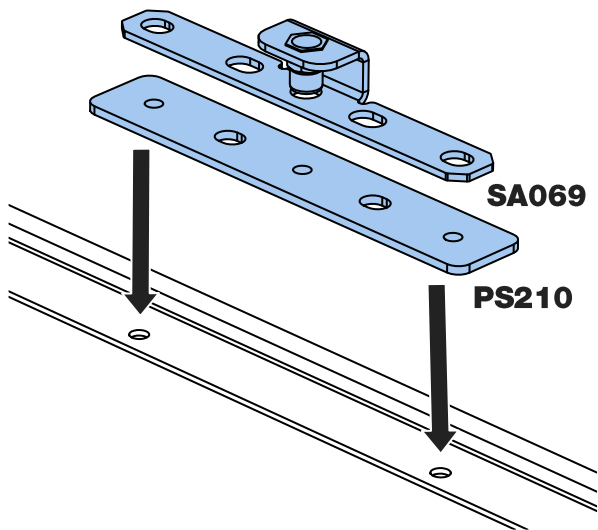


(D)



14-20.

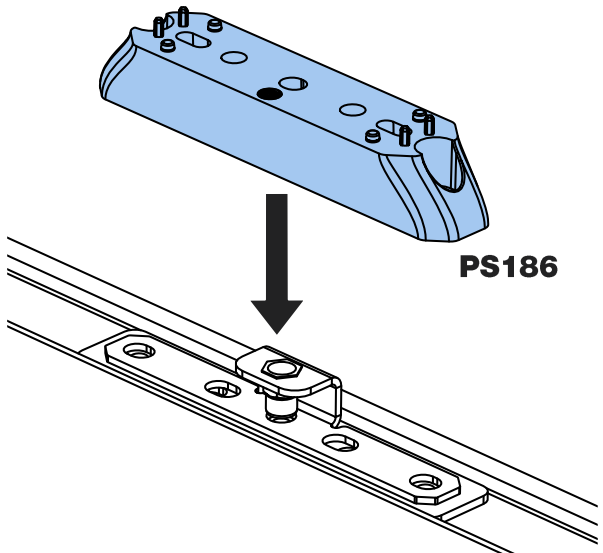
7.



SA069

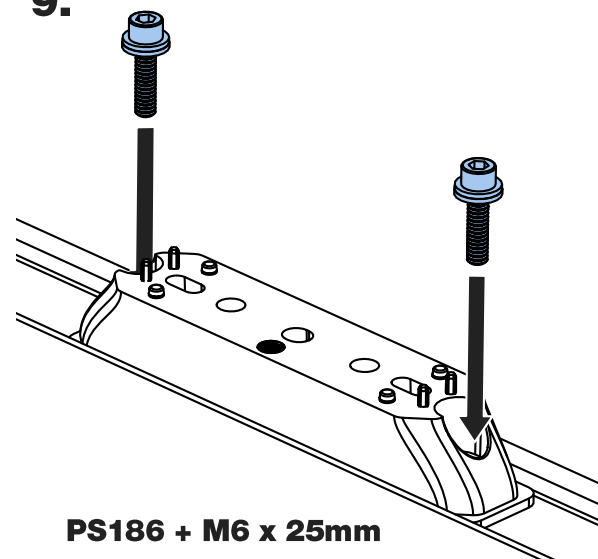
PS210

8.



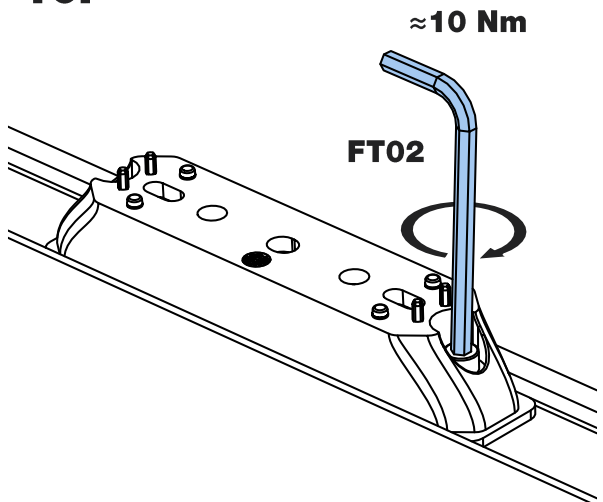
PS186

9.



PS186 + M6 x 25mm

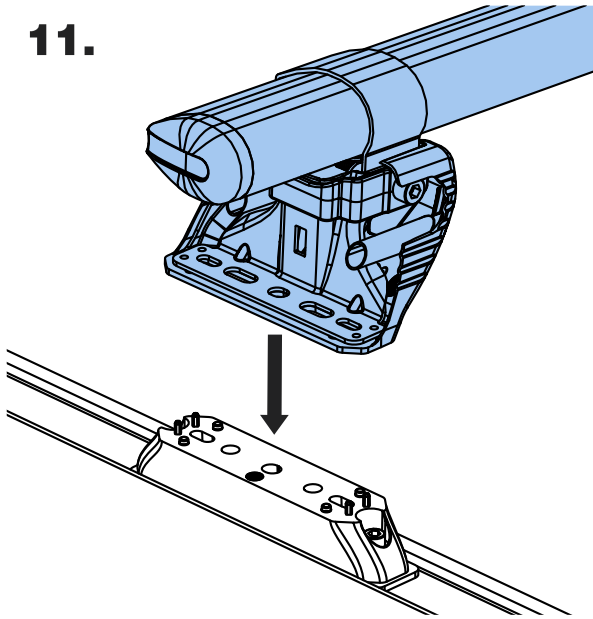
10.



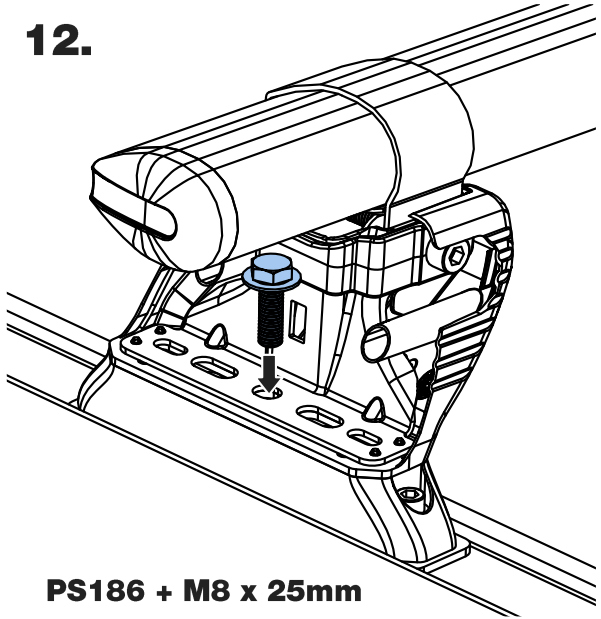
≈ 10 Nm

FT02

11.

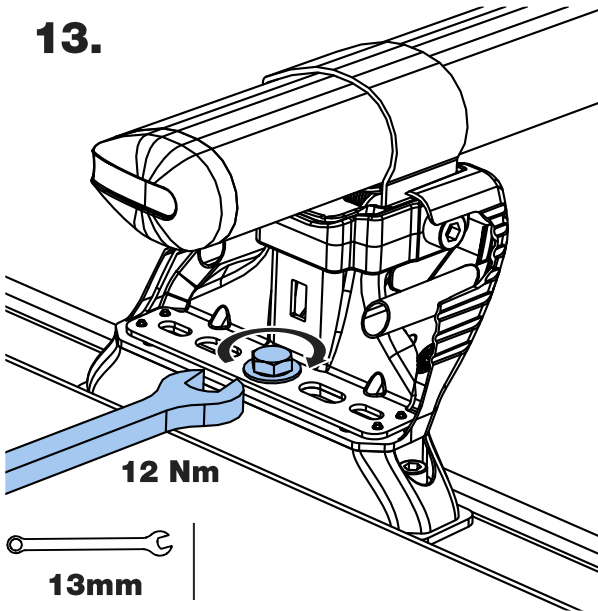


12.



PS186 + M8 x 25mm

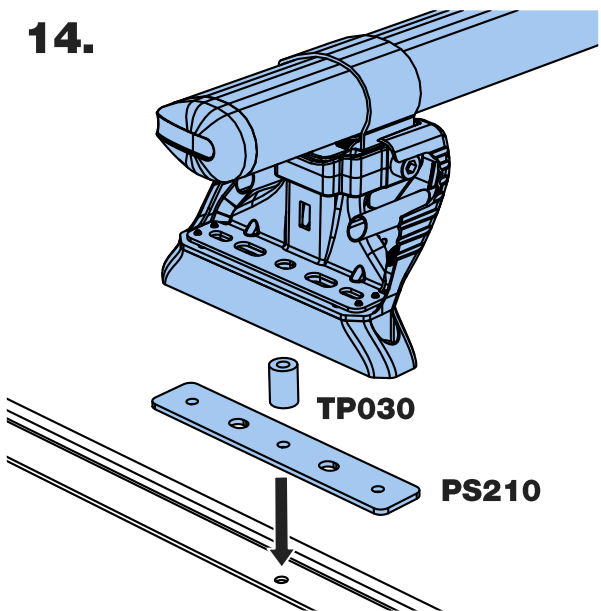
13.



12 Nm

13mm

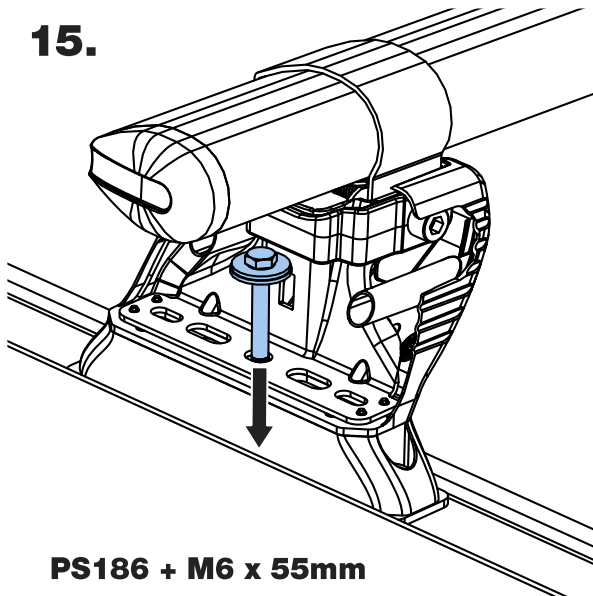
14.



TP030

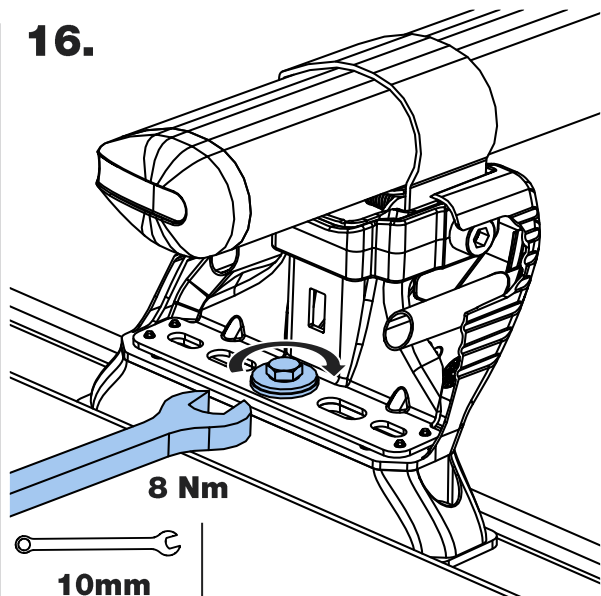
PS210

15.



PS186 + M6 x 55mm

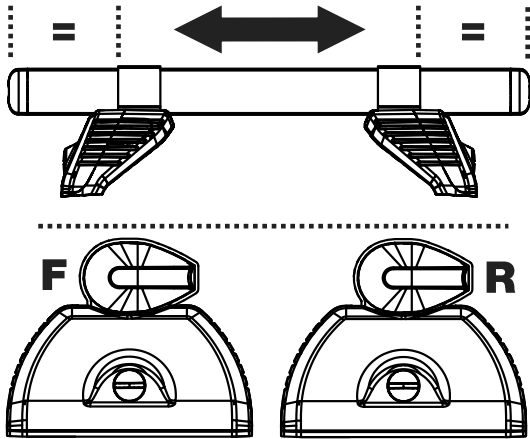
16.



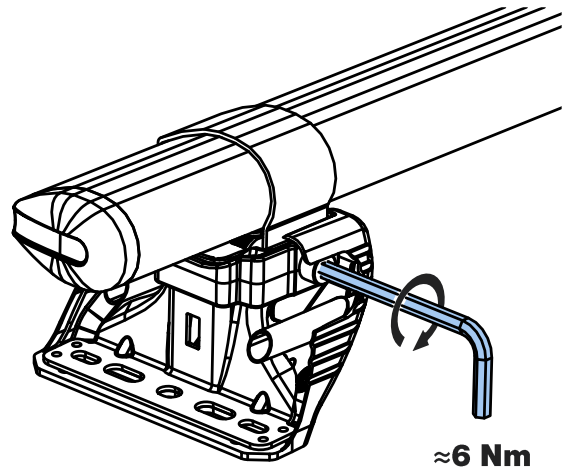
8 Nm

10mm

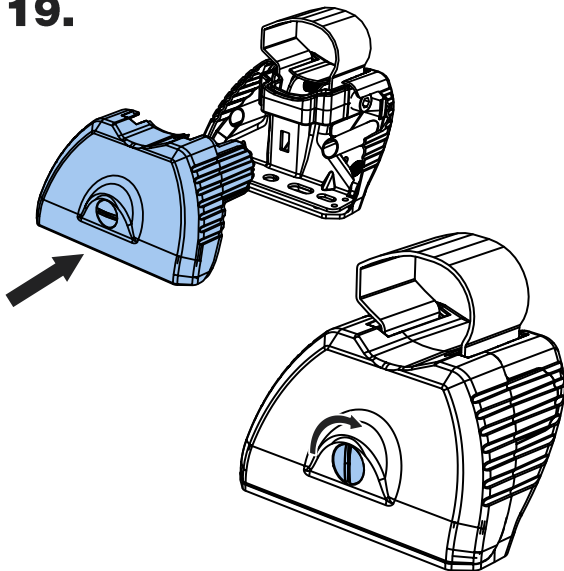
17.



18.



19.



20.

