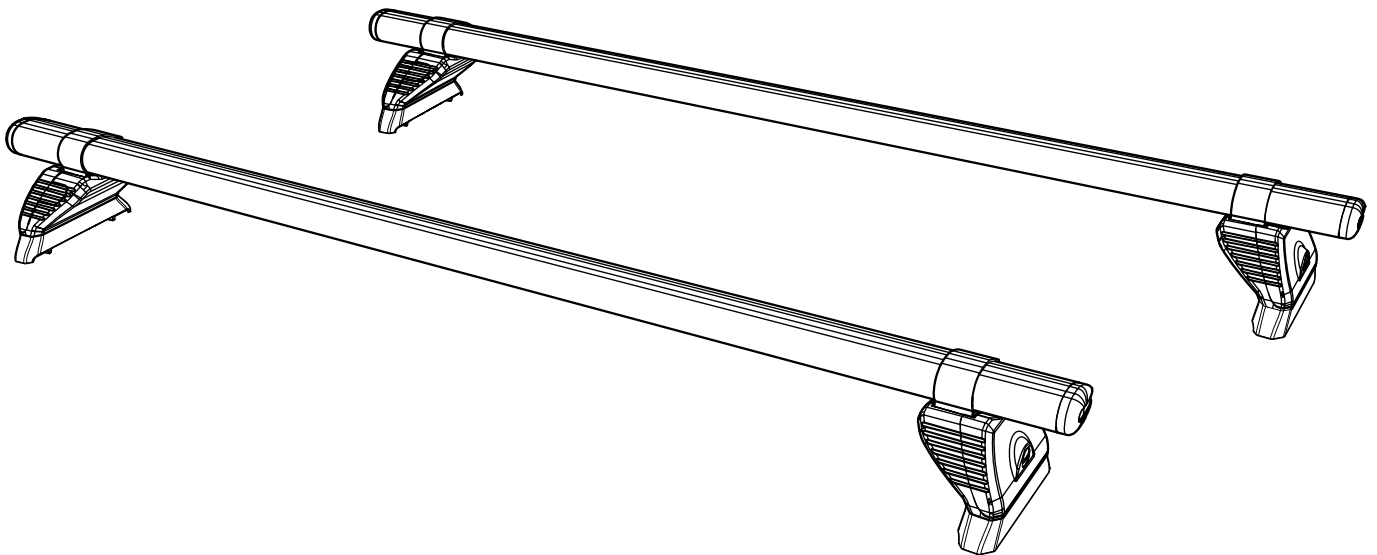


ISSUE:	DRAWN BY:	CHECKED BY:	CRF No:	DATE:	DESCRIPTION:
a	SJ	KB	2758	02/08/22	First Issue
b	YZL	KB	2958	19/05/23	Replaced SA070 with KLS2
c					
d					
e					
f					
g					
h					
i					
j					
k					
l					
m					

TC2PR/FL

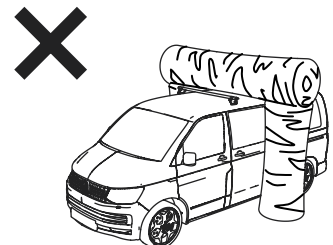
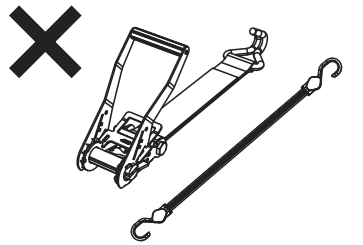
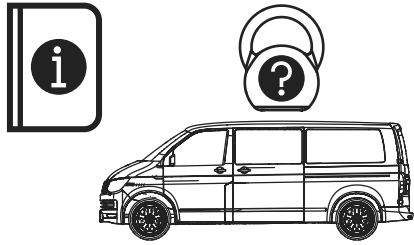
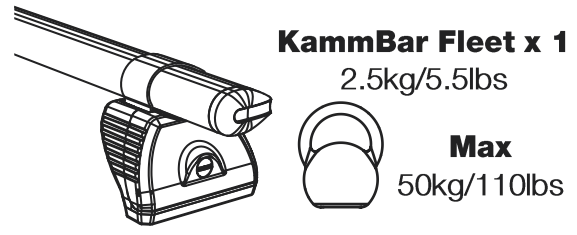
KammBar

Instructions

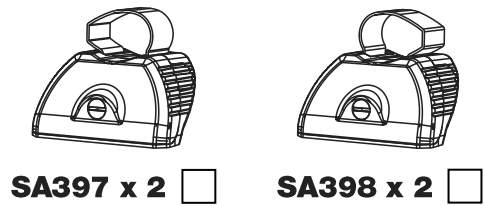
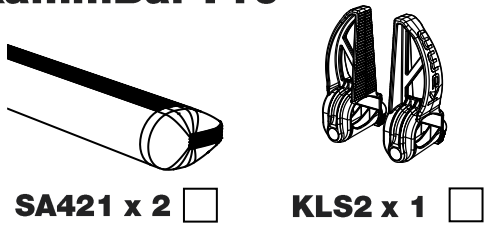


CITY CRASH (✓)

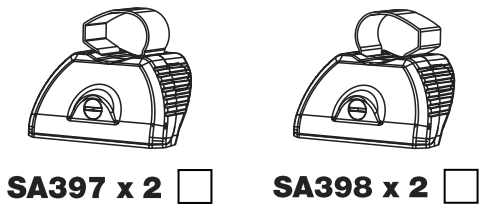
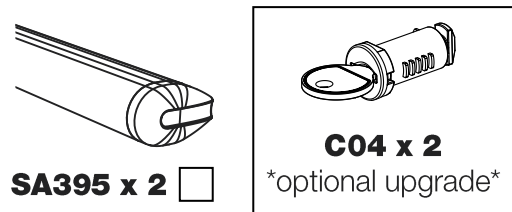
According to ISO/ PAS 11154:2006



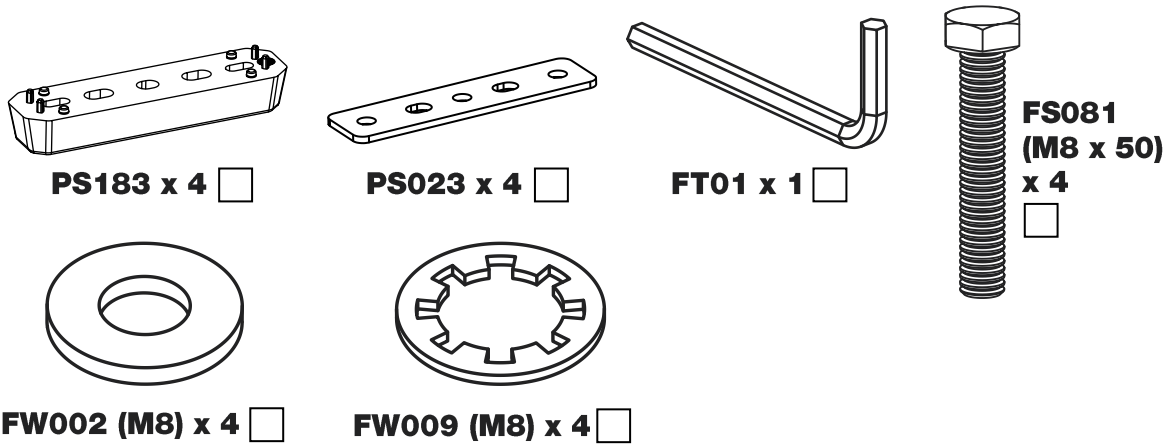
KammBar Pro



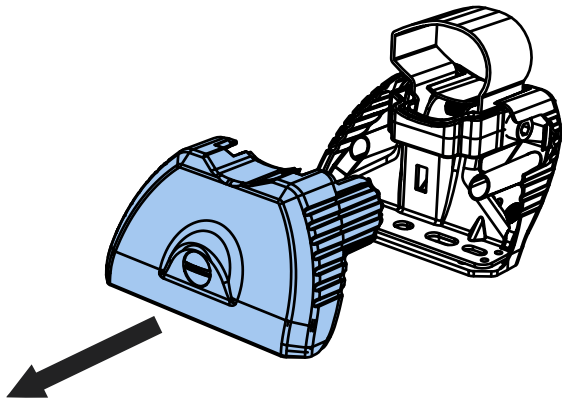
KammBar Fleet



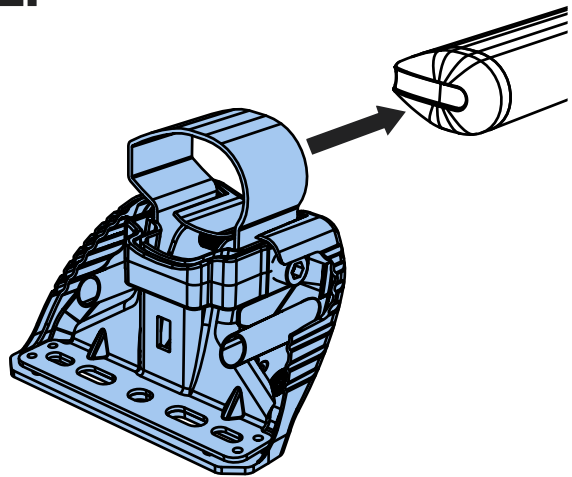
Fitting Kit



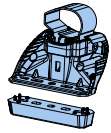
1.



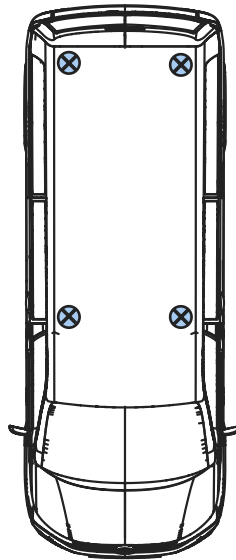
2.



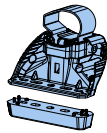
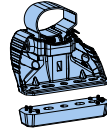
3.



SA397
PS183

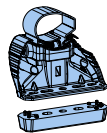


SA398
PS183

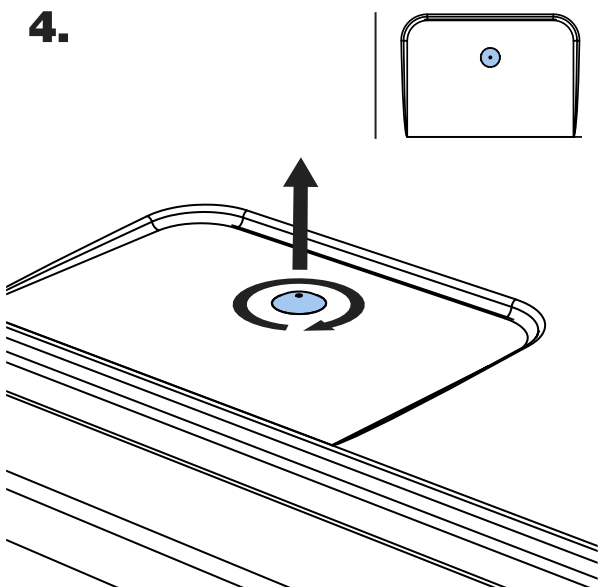


SA397
PS183

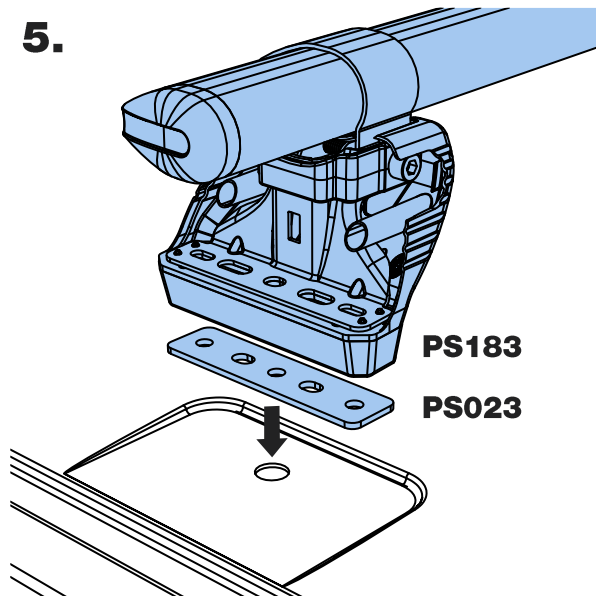
SA398
PS183



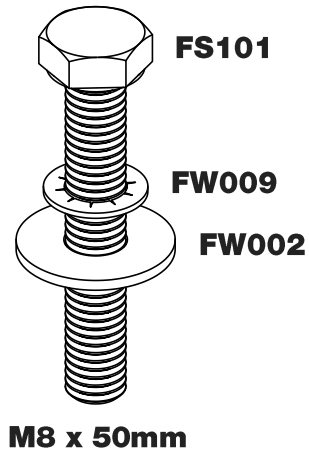
4.



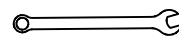
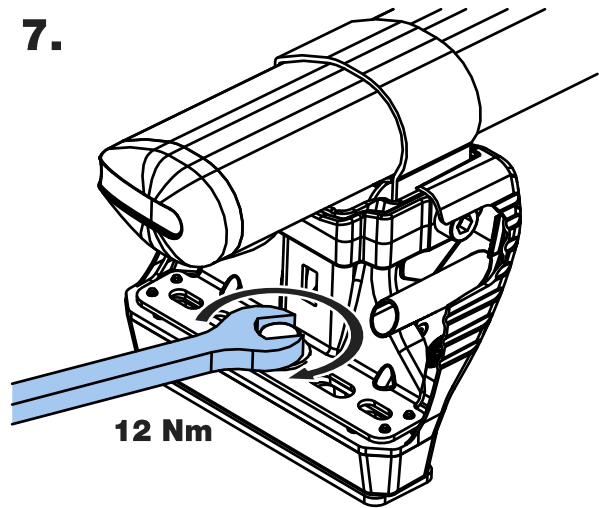
5.



6.



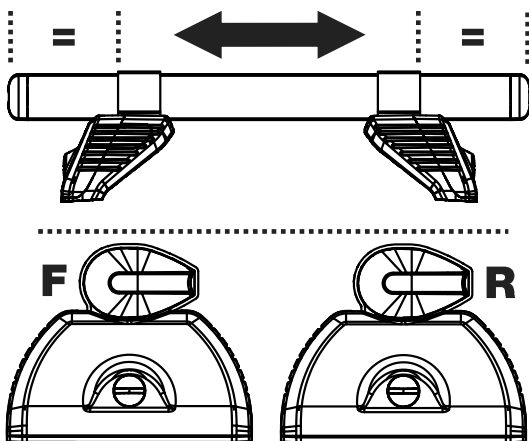
7.



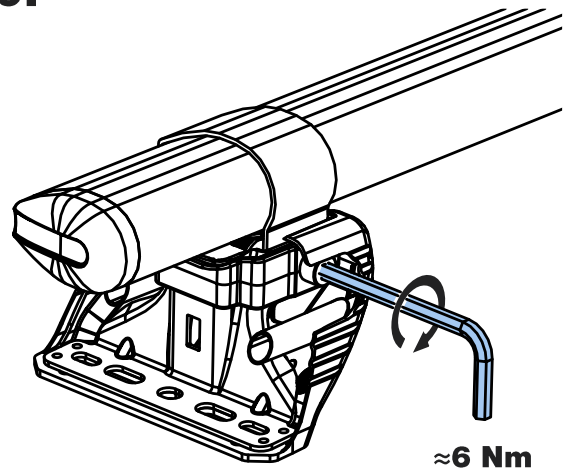
13mm

M8 x 50mm + PS183

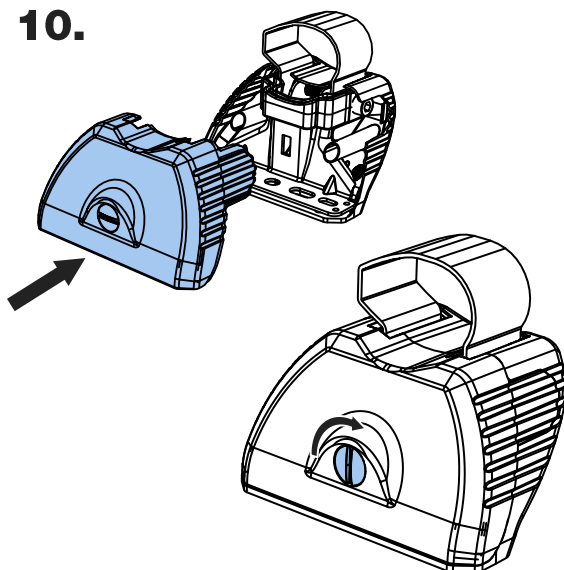
8.



9.



10.



11.

