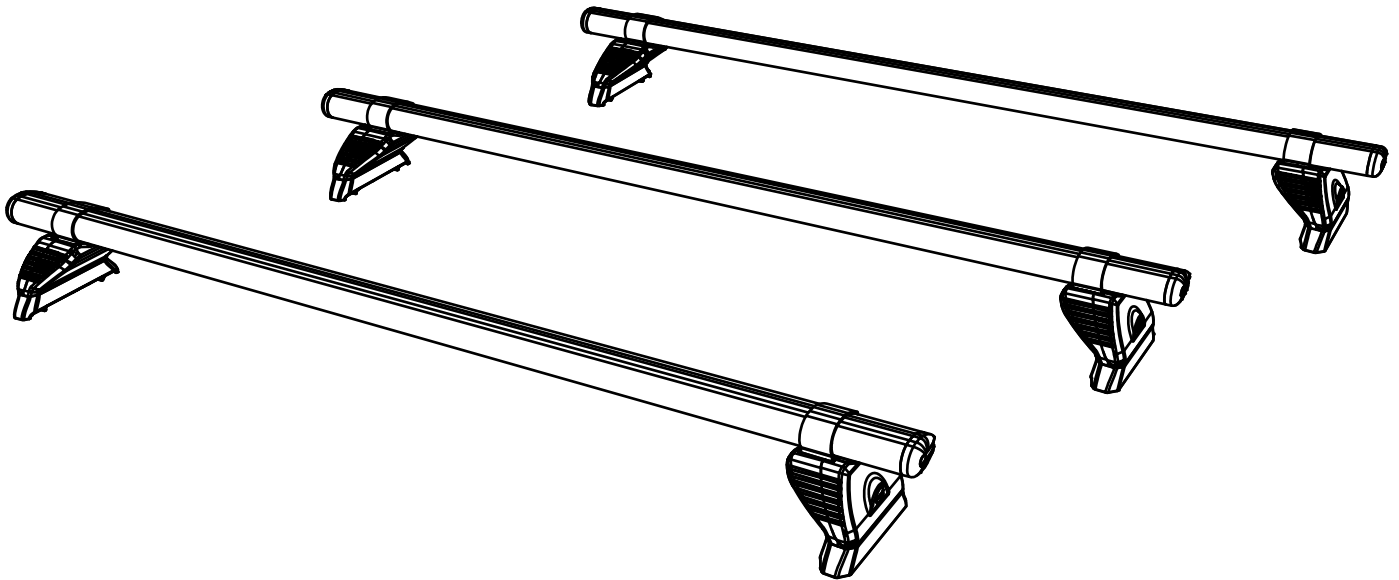


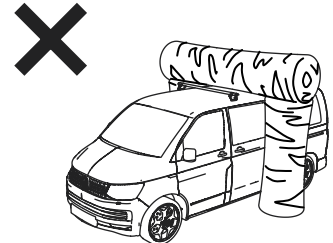
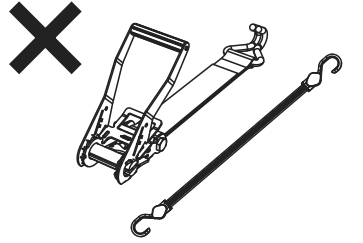
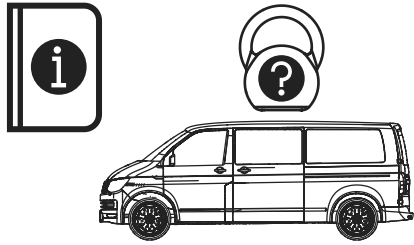
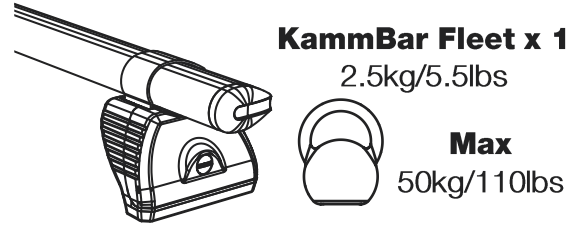
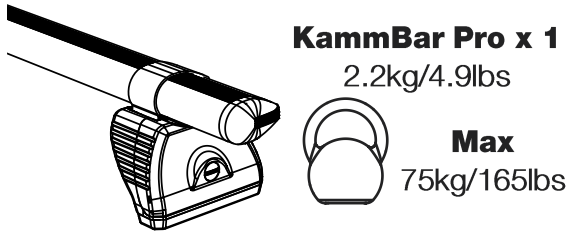
TB3HPR/FL KammBar

Instructions

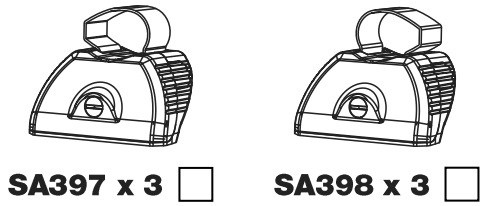
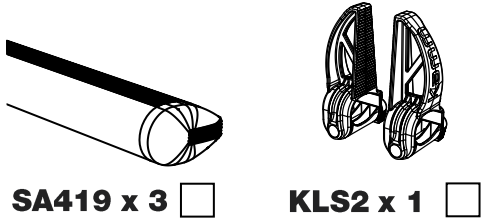


CITY CRASH (✓)

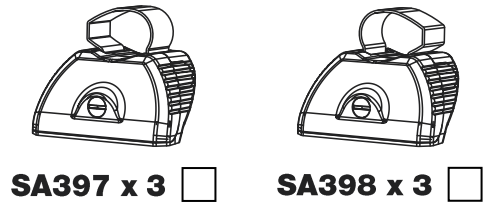
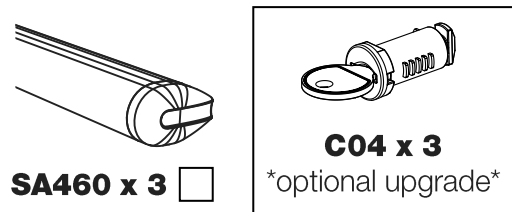
According to ISO/ PAS 11154:2006



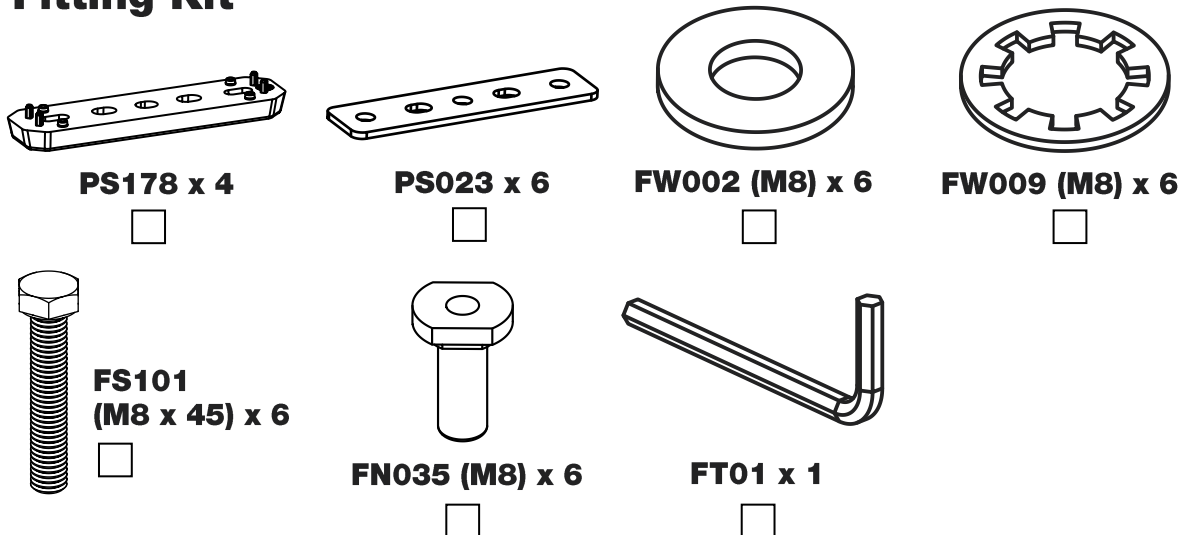
KammBar Pro



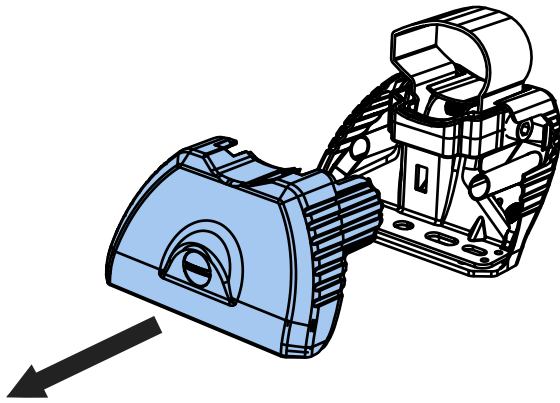
KammBar Fleet



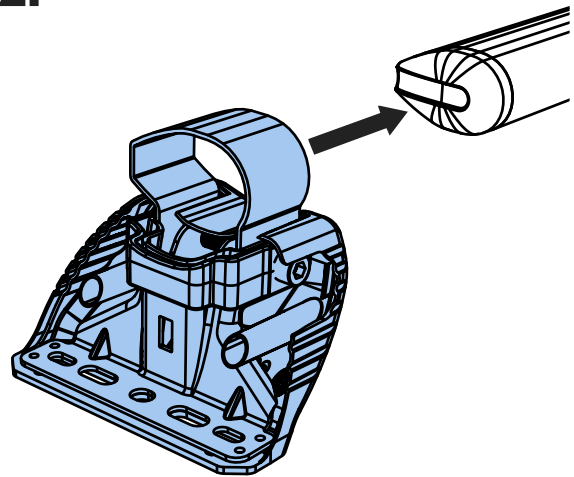
Fitting Kit



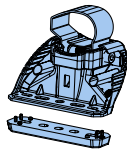
1.



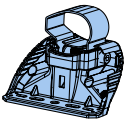
2.



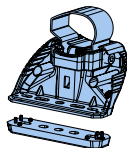
3.



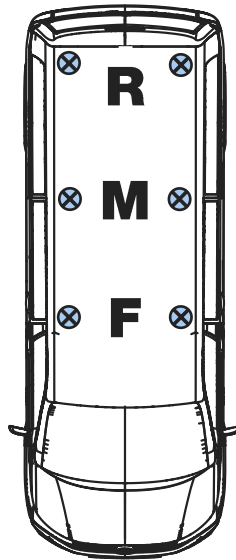
SA397
PS178



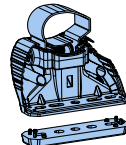
SA397



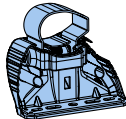
SA397
PS178



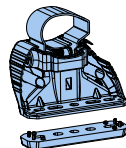
SA398
PS178



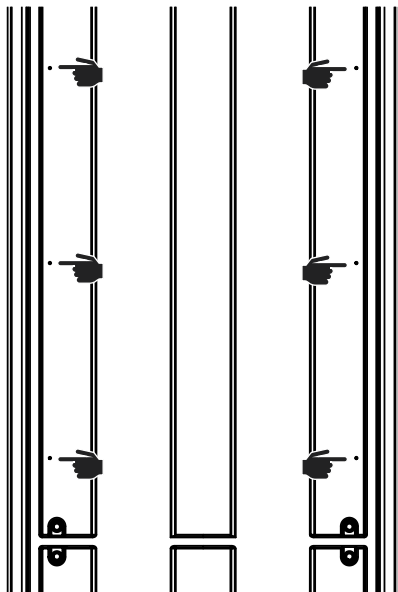
SA398



SA398
PS178



4.

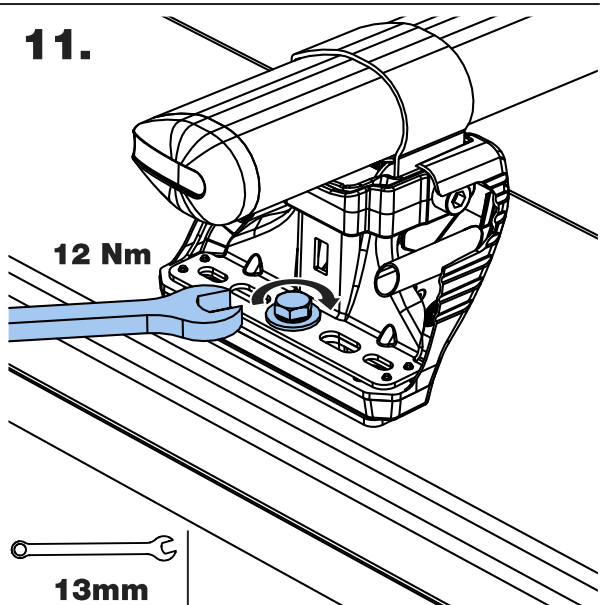
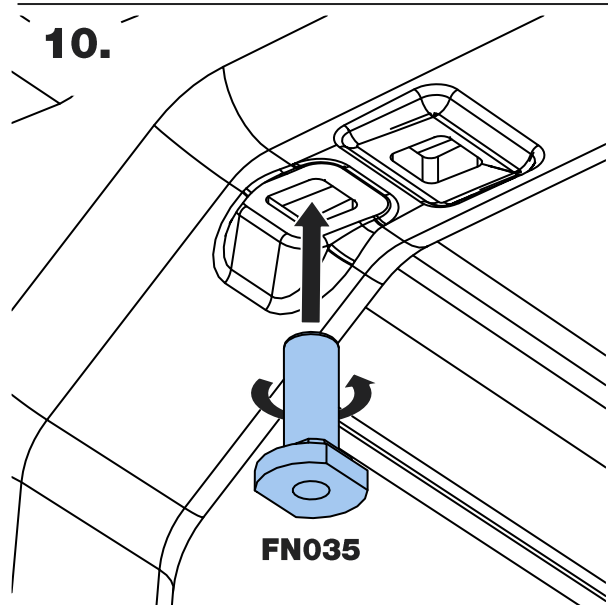
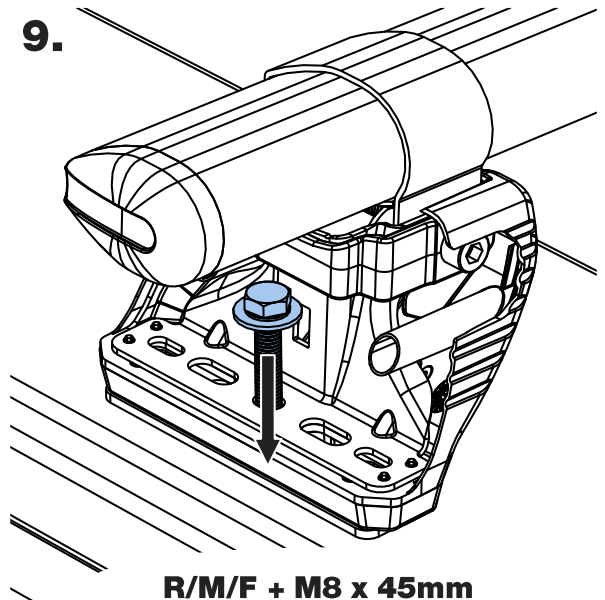
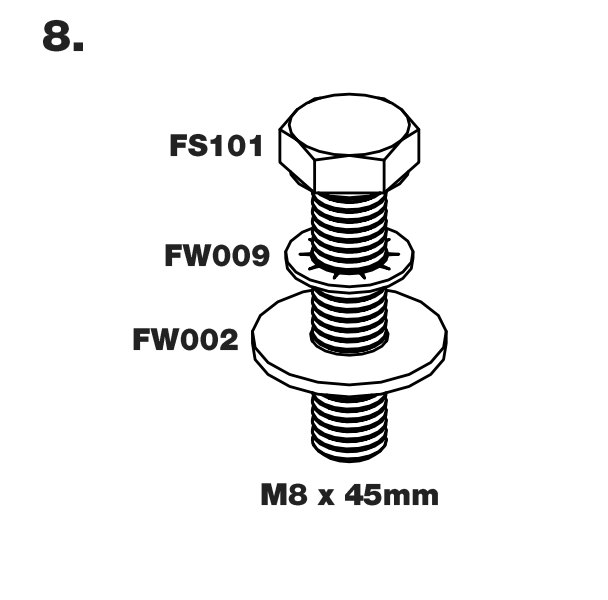
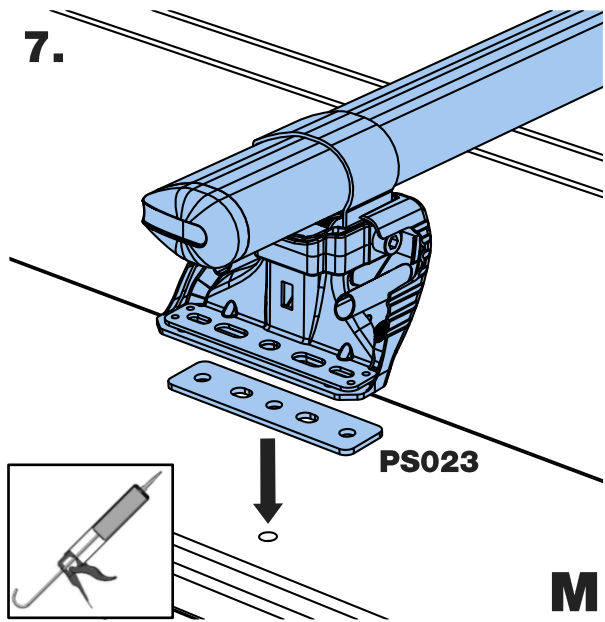
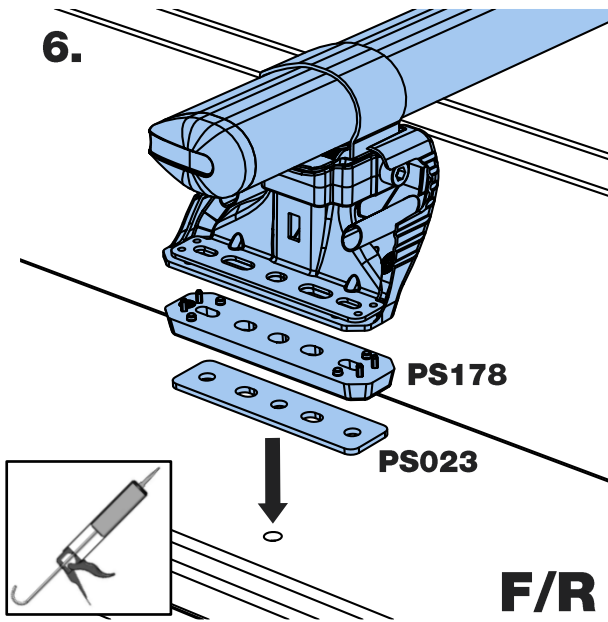


5.

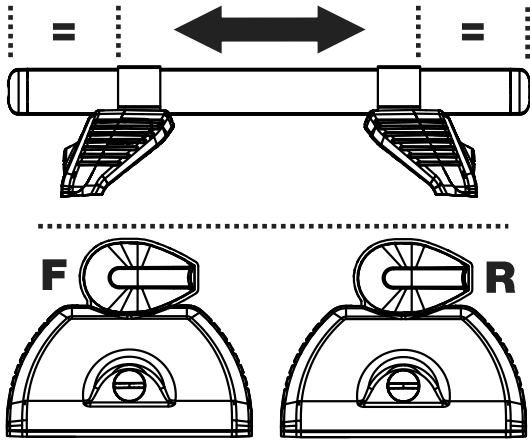


1st - Ø 4mm
2nd - Ø 9mm

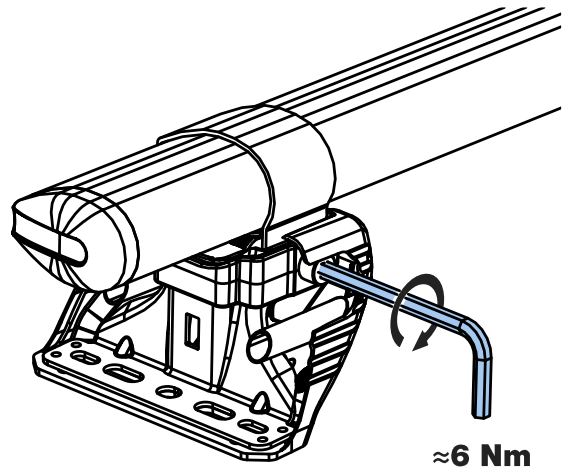




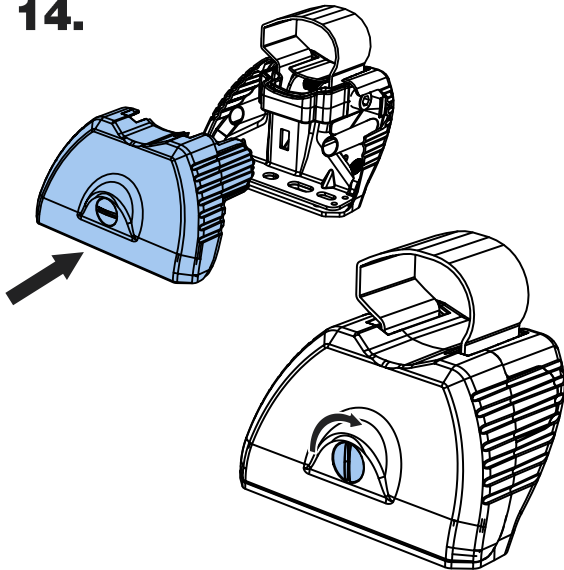
12.



13.



14.



15.

