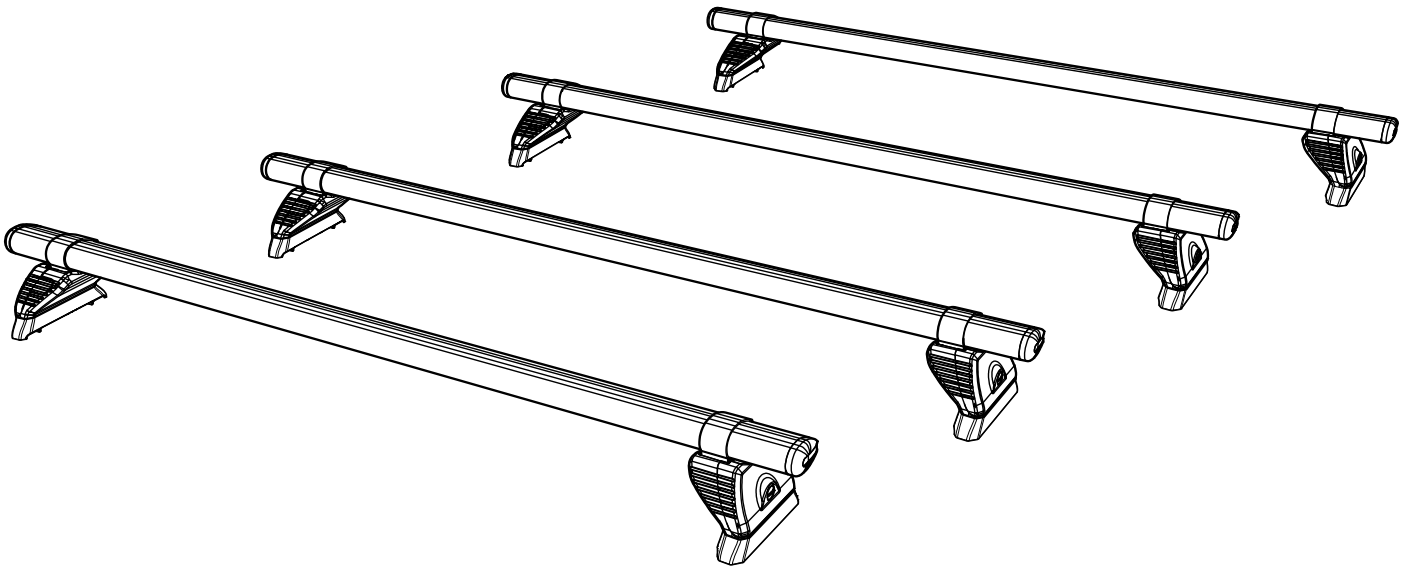


ISSUE:	DRAWN BY:	CHECKED BY:	CRF No:	DATE:	DESCRIPTION:
a	SJ	KB	2758	02/08/22	First Issue
b	MK	KB	2950	09/05/23	Replaced SA393 with SA460 & SA070 with KLS2
c					
d					
e					
f					
g					
h					
i					
j					
k					
l					
m					

TA4PR/FL

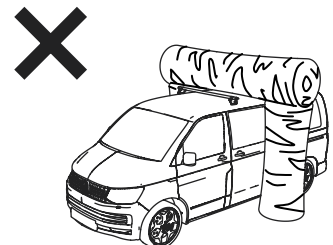
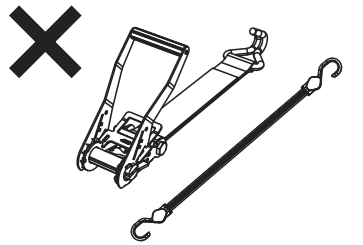
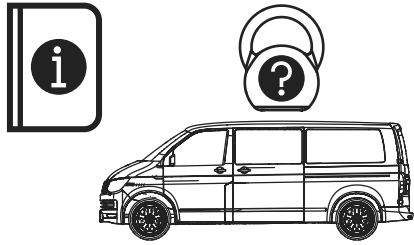
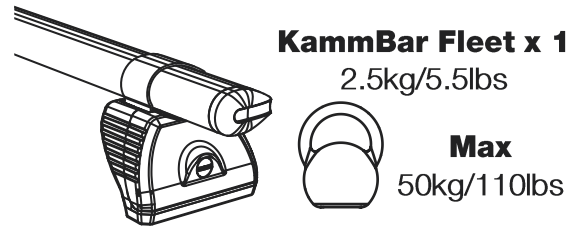
KammBar

Instructions

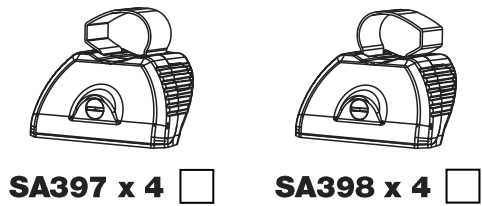
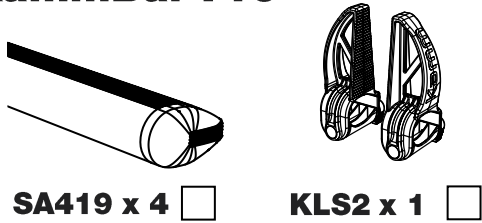


CITY CRASH (✓)

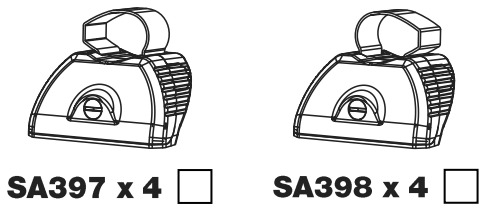
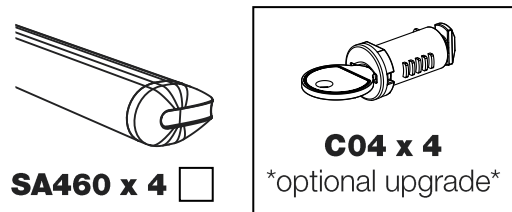
According to ISO/ PAS 11154:2006



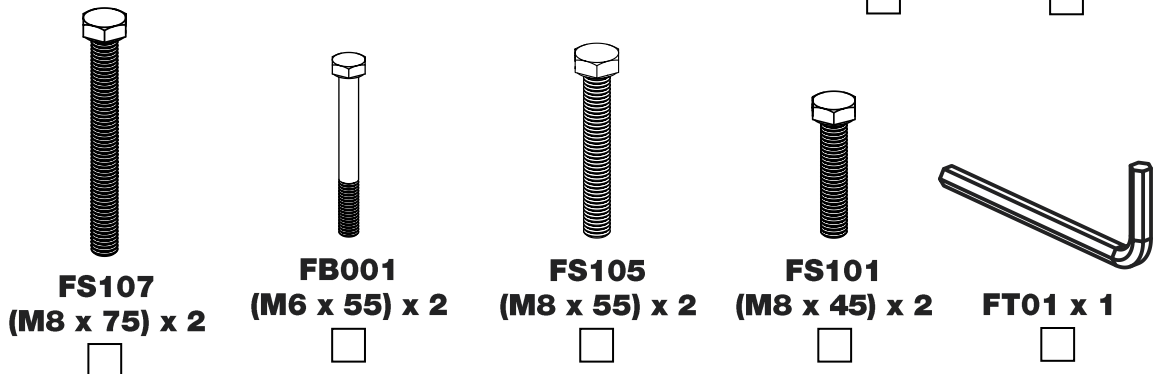
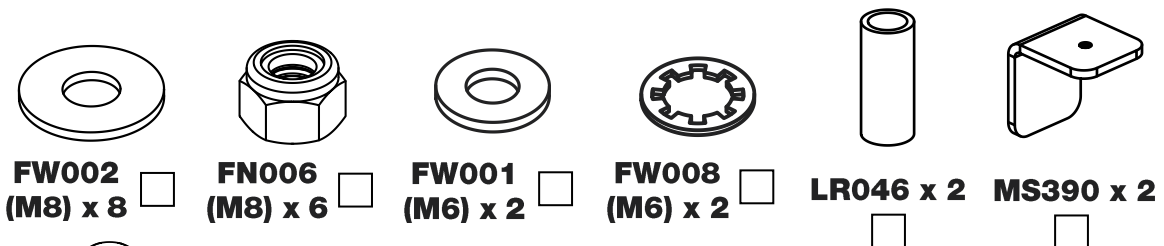
KammBar Pro



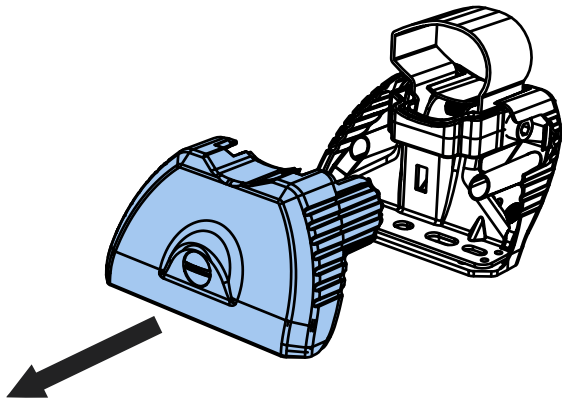
KammBar Fleet



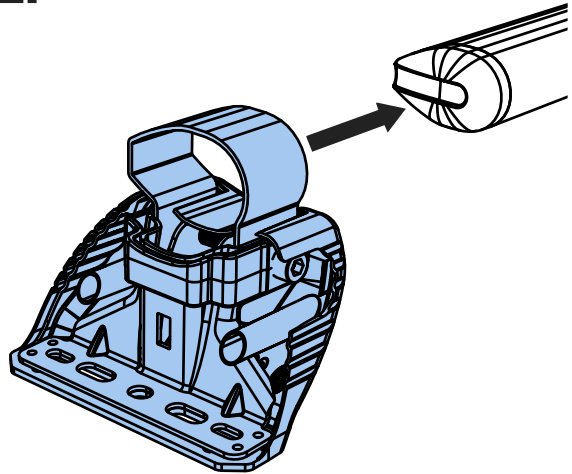
Fitting Kit



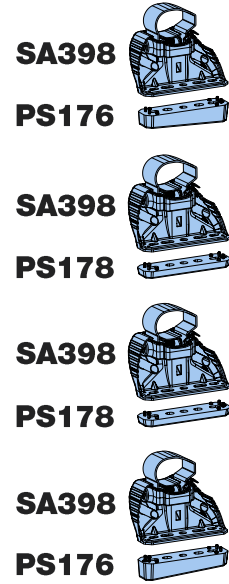
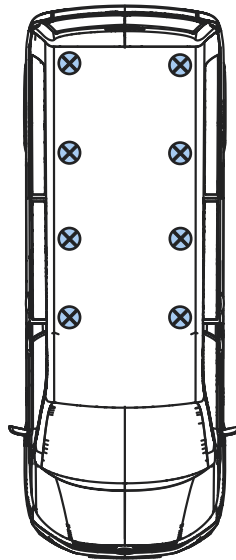
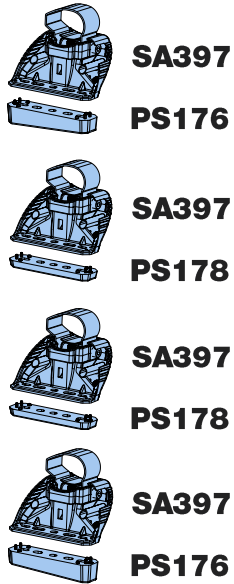
1.



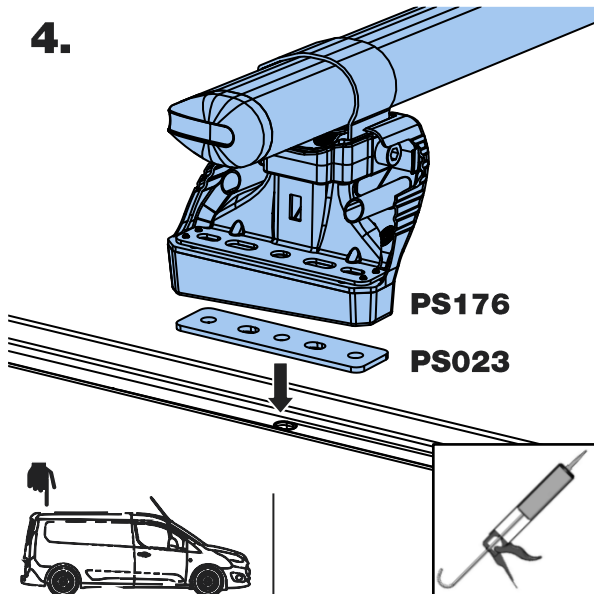
2.



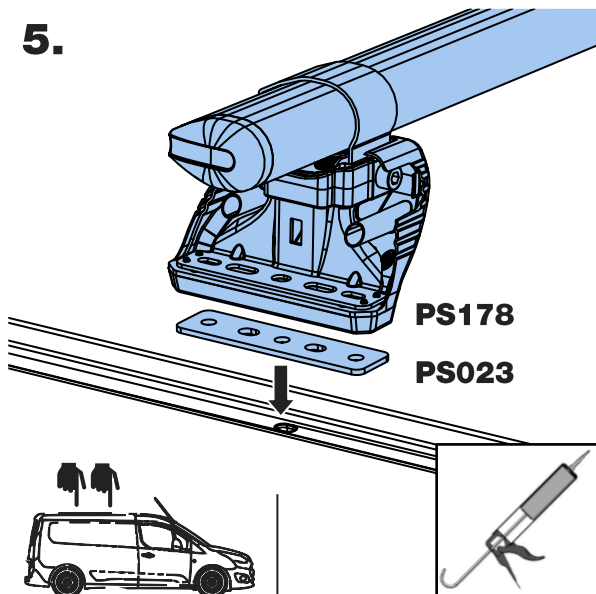
3.

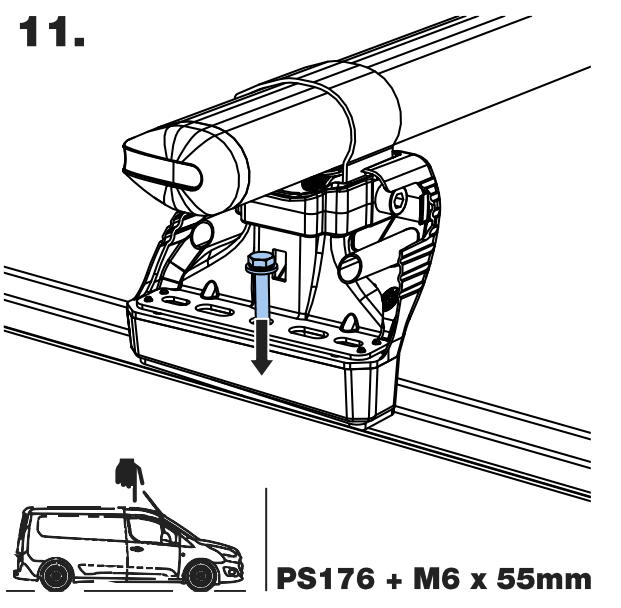
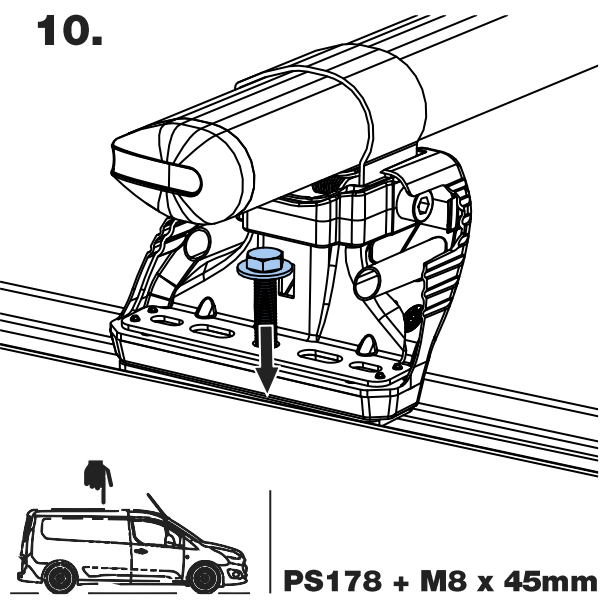
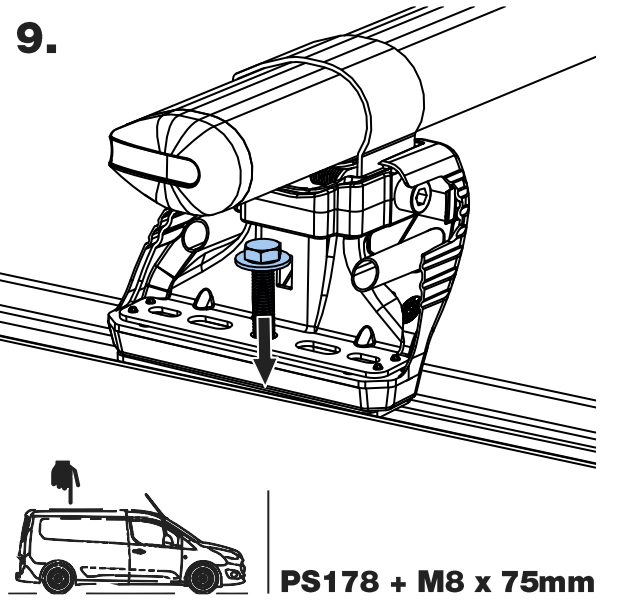
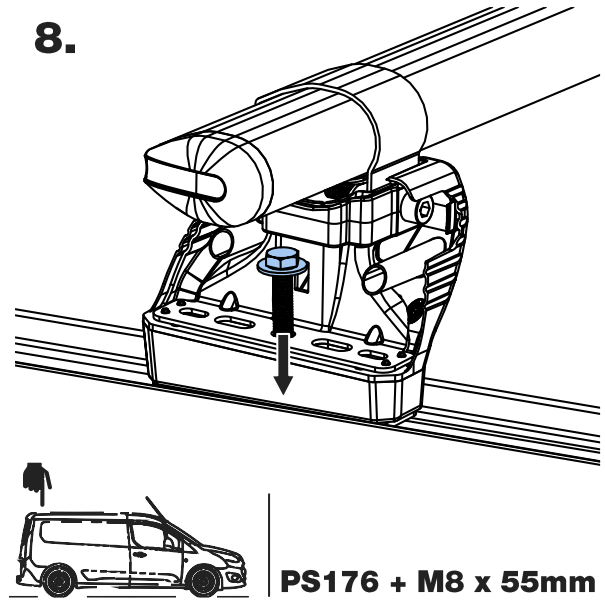
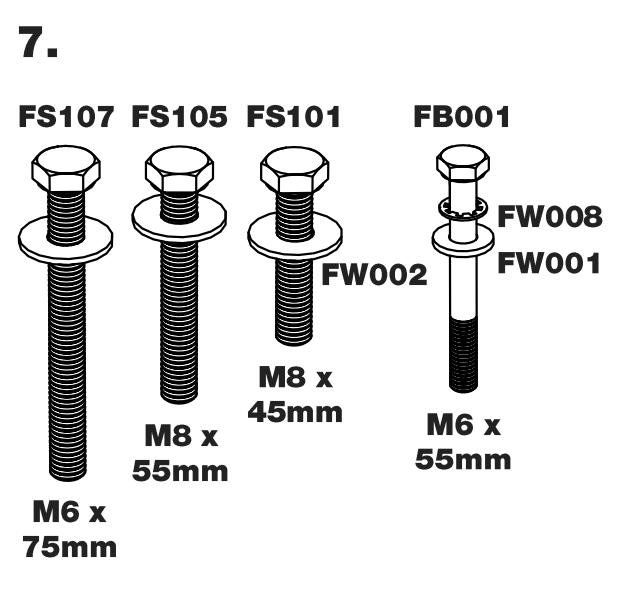
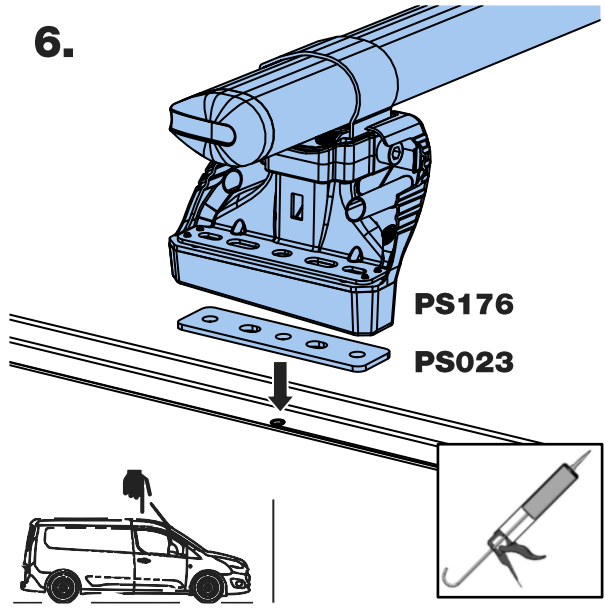


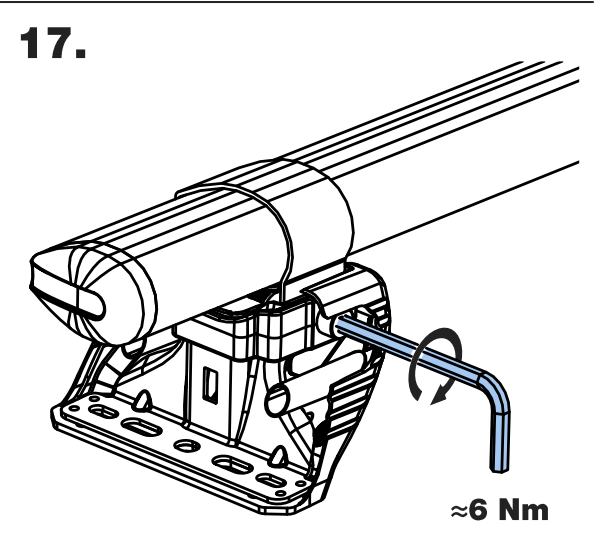
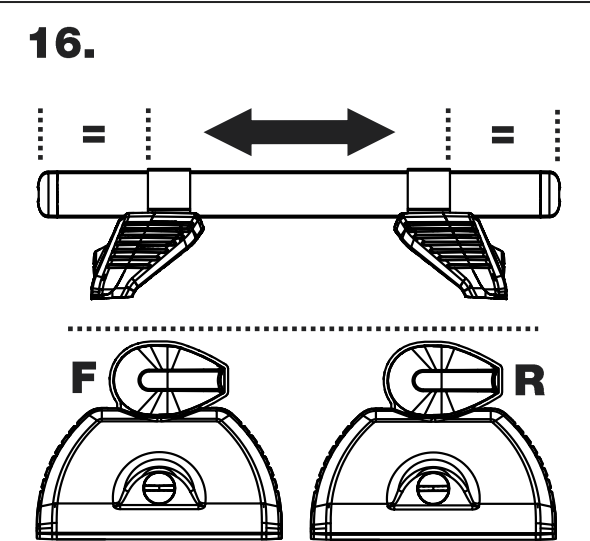
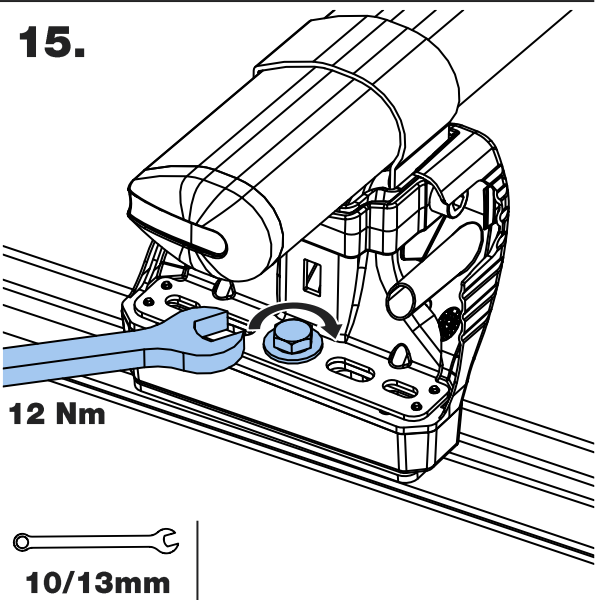
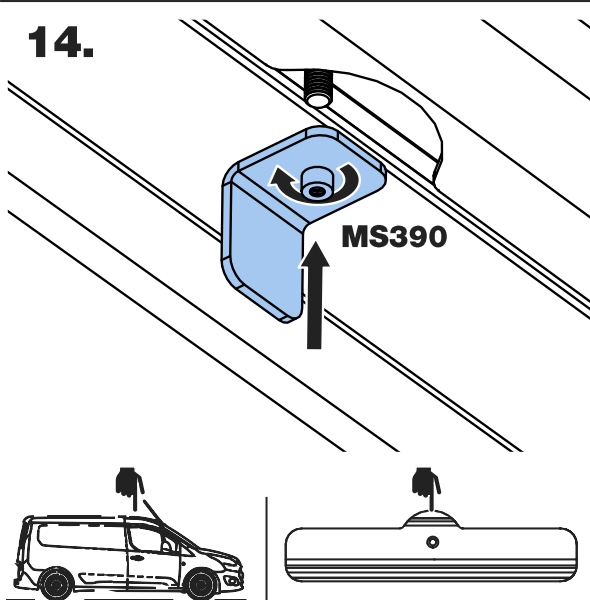
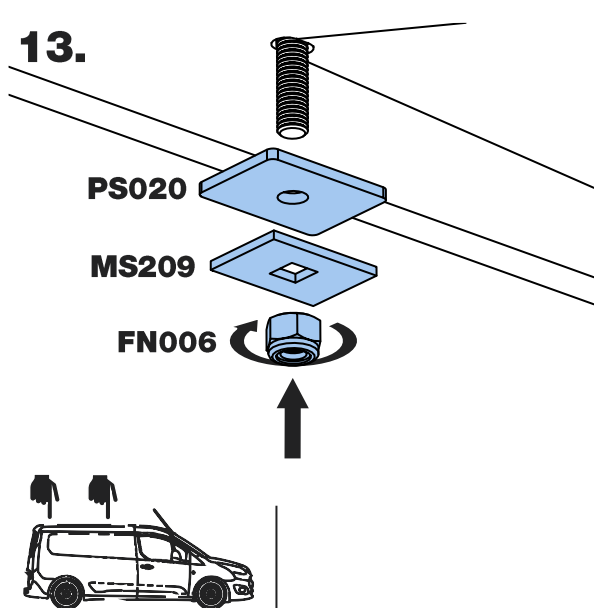
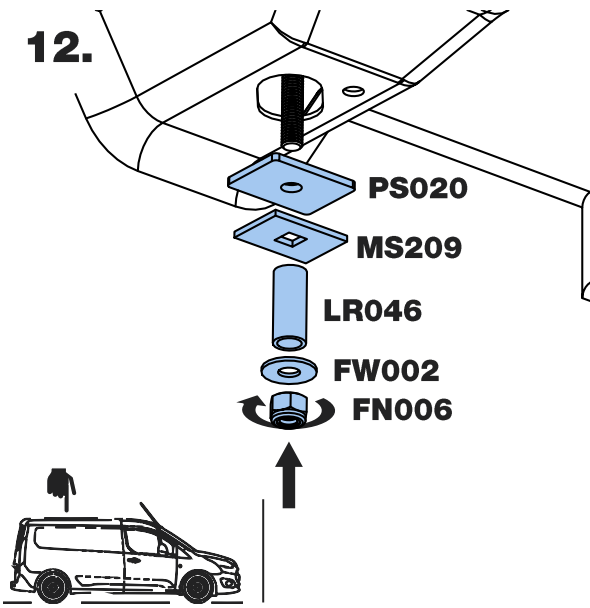
4.



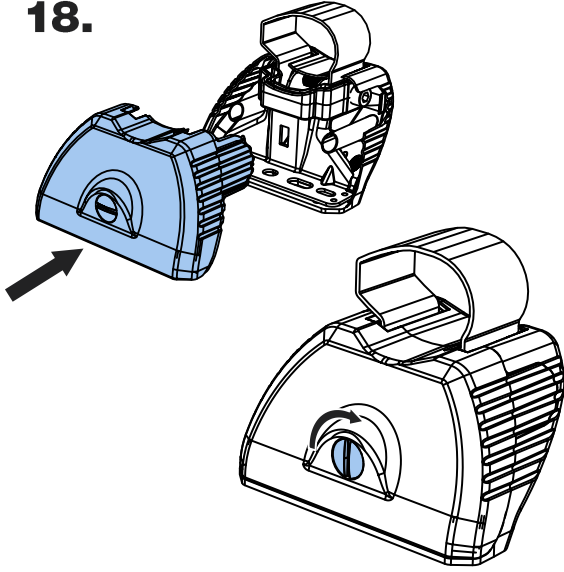
5.







18.



19.

