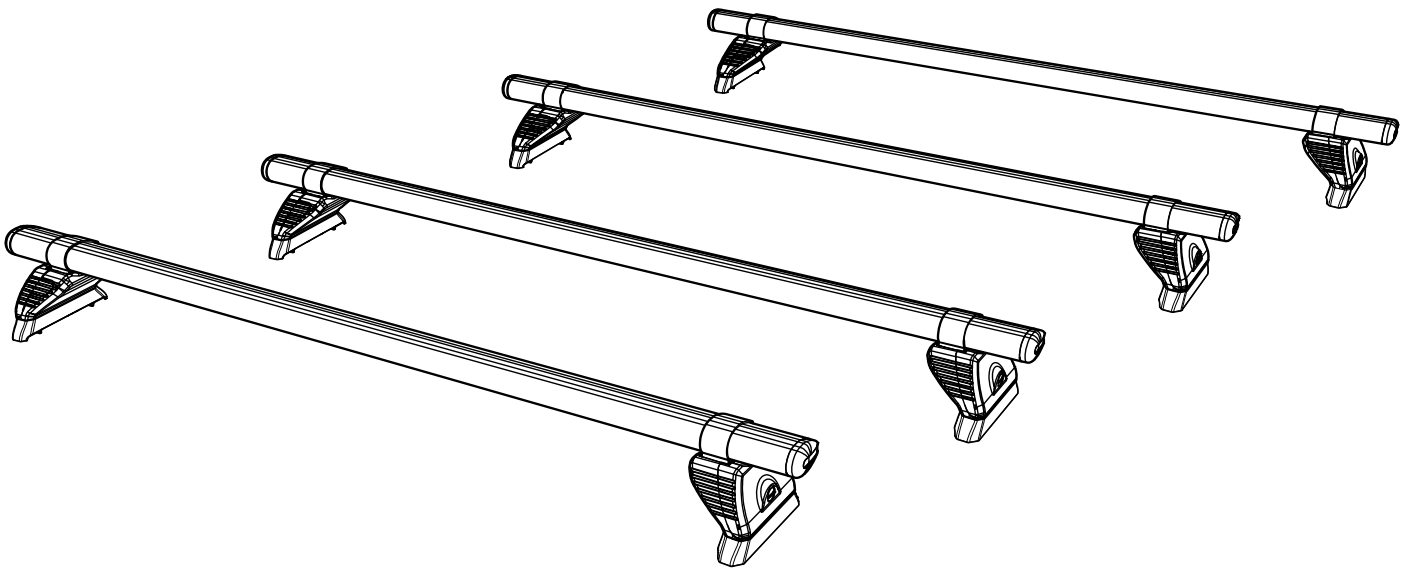


<b>ISSUE:</b>	<b>DRAWN BY:</b>	<b>CHECKED BY:</b>	<b>CRF No:</b>	<b>DATE:</b>	<b>DESCRIPTION:</b>
a	SJ	KB	2758	02/08/22	First Issue
b	YZL	KB	2958	22/05/23	Replaced SA070 with KLS2
c	YZL	KB	3338	12/09/24	Added new KammBar Black codes.
d					
e					
f					
g					
h					
i					
j					
k					
l					
m					

# RA4PR/FL

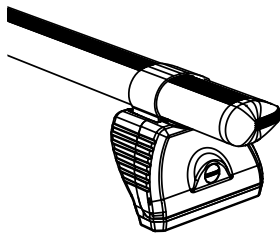
# KammBar

## Instructions

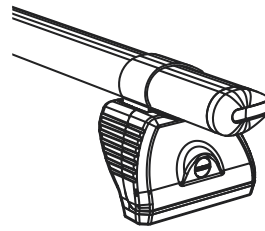


**CITY CRASH** (✓)

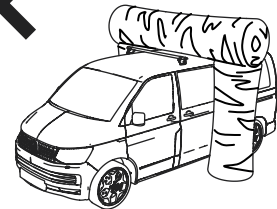
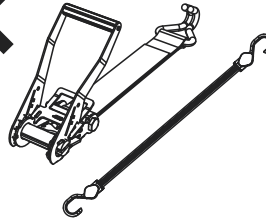
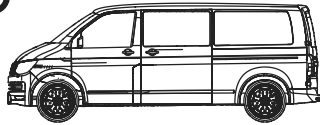
According to ISO/ PAS 11154:2006



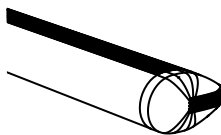
**KammBar Pro & Black x 1**  
2.2kg/4.9lbs  
**Max**  
75kg/165lbs



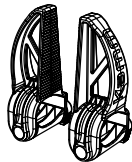
**KammBar Fleet x 1**  
2.5kg/5.5lbs  
**Max**  
50kg/110lbs



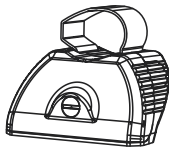
### KammBar Pro Black



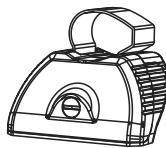
**SA420/  
SA537 x 4**



**KLS2 x 1**

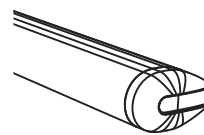


**SA397 x 4**

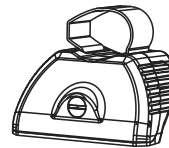


**SA398 x 4**

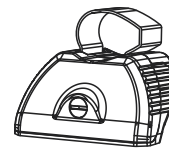
### KammBar Fleet



**SA394 x 4**

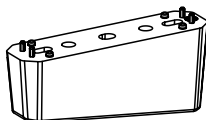


**SA397 x 4**

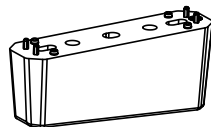


**SA398 x 4**

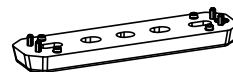
### Fitting Kit



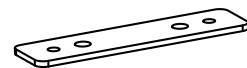
**PS181 x 2**



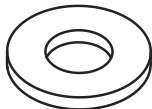
**PS182 x 2**



**PS178 x 4**



**PS046 x 8**



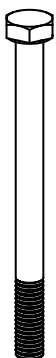
**FW001 (M6) x 16**



**FW008 (M6) x 16**



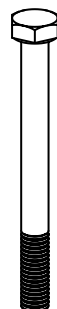
**FT01 x 1**



**FS102  
(M6 x 75) x 2**



**FS145  
(M6 x 70) x 2**

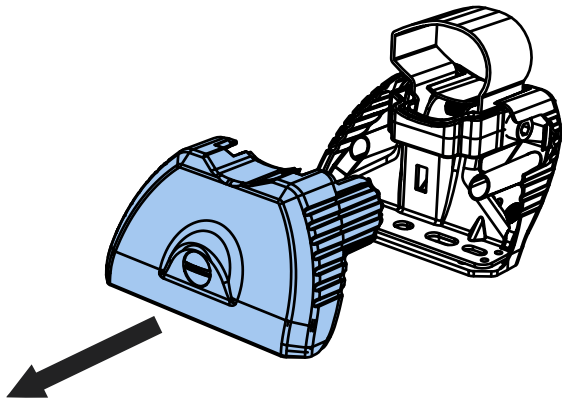


**FB009  
(M6 x 65) x 4**

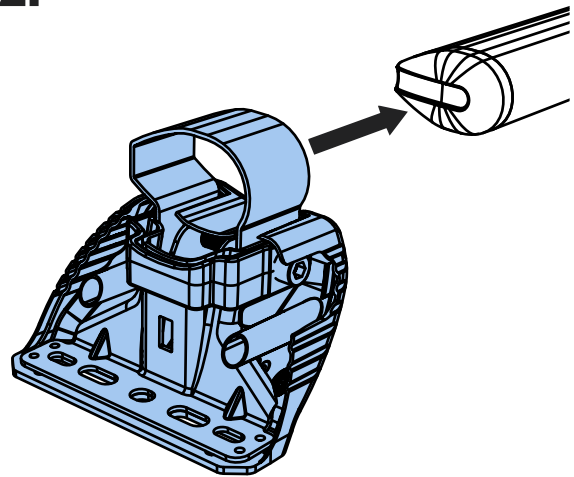


**FS039  
(M6 x 30) x 8**

1.



2.

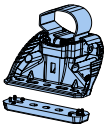


3.



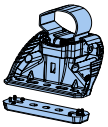
SA397

PS182



SA397

PS178



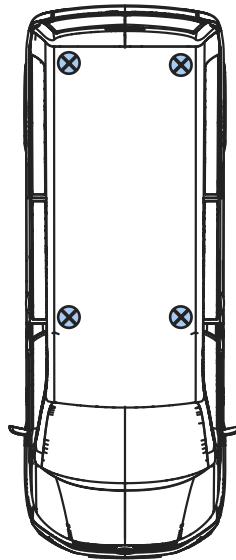
SA397

PS178

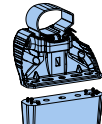


SA397

PS181

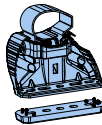


SA398



PS182

SA398



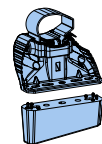
PS178

SA398



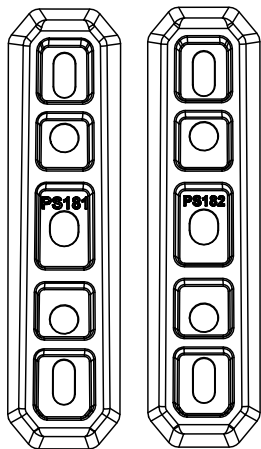
PS178

SA398



PS181

4.



5.

FS102

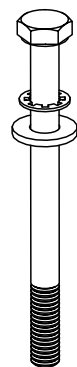
FS145

FB009

FS039

FW008

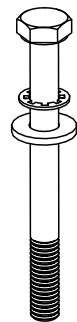
FW001



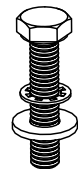
M6 x 75mm



M6 x 70mm

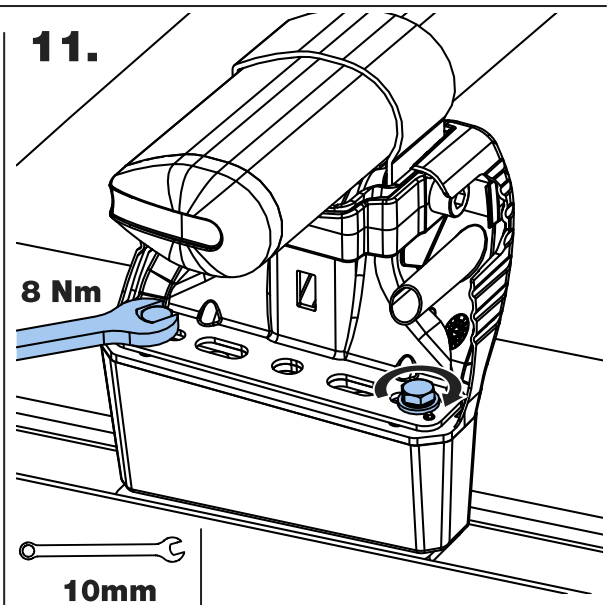
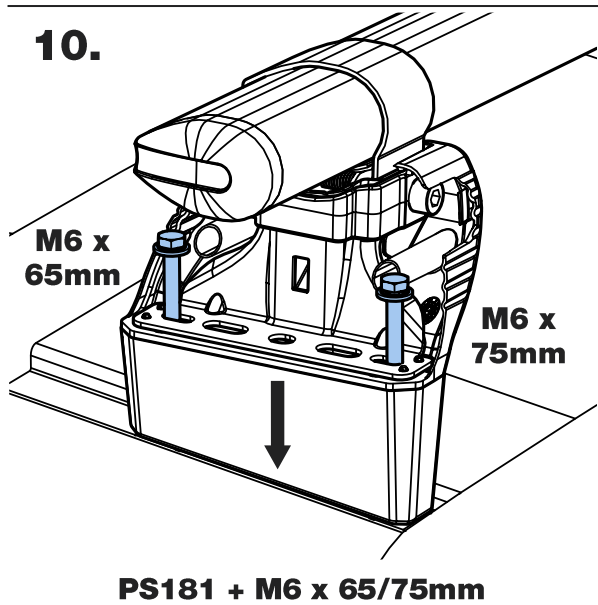
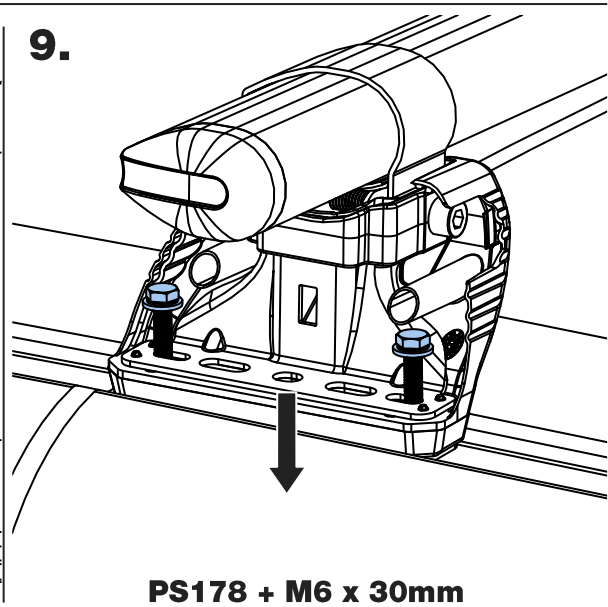
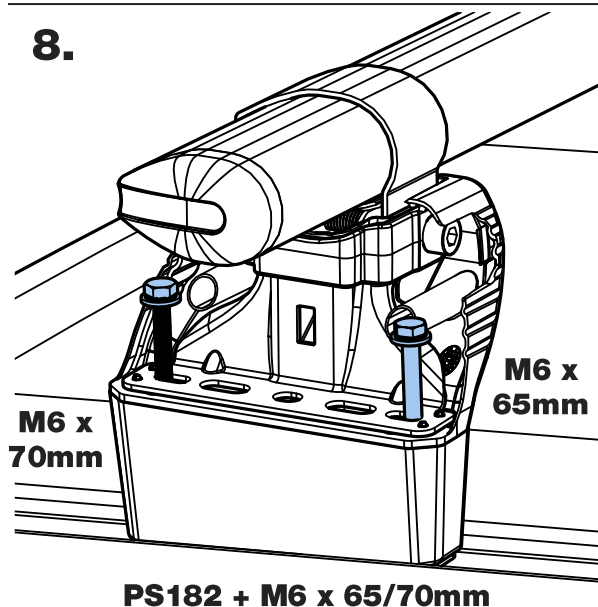
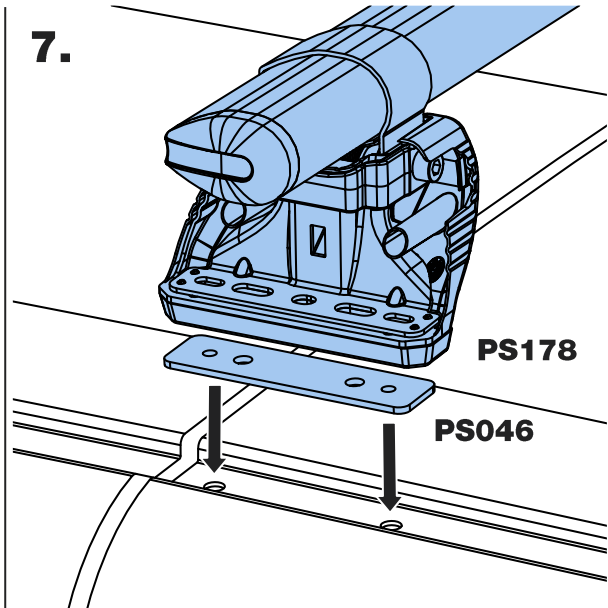
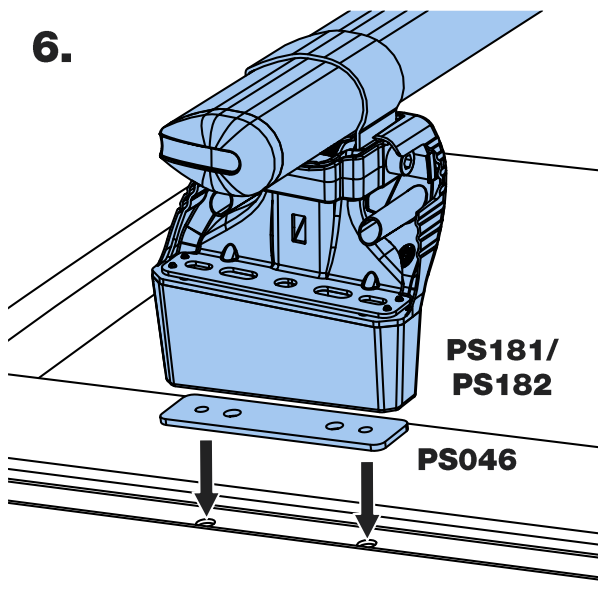


M6 x 65mm

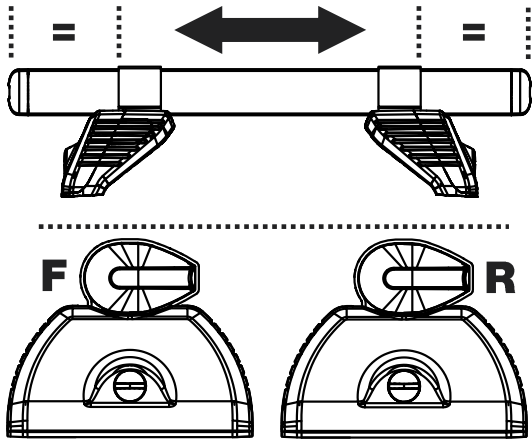


M6 x 30mm

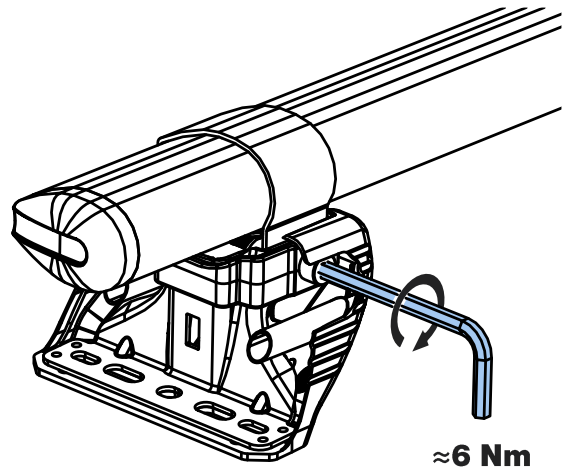




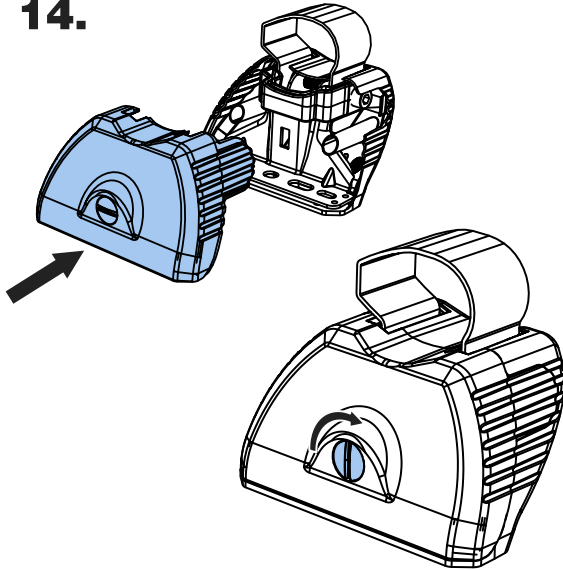
12.



13.



14.



15.

