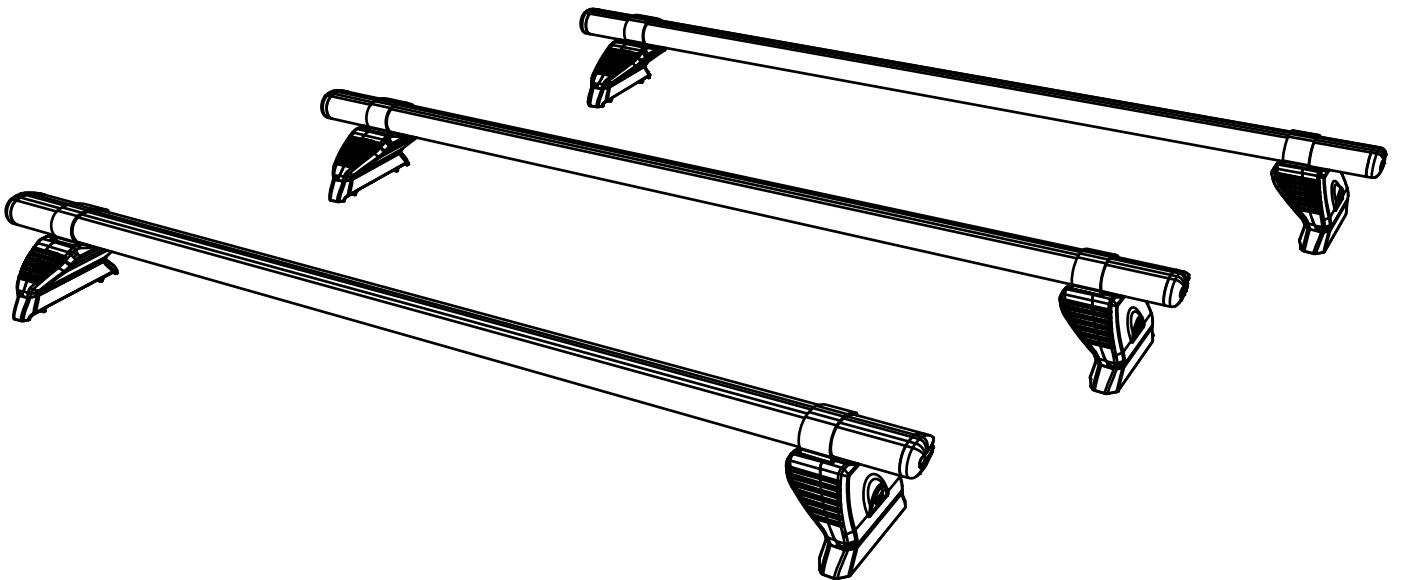


ISSUE:	DRAWN BY:	CHECKED BY:	CRF No:	DATE:	DESCRIPTION:
a	SJ	KB	2819	18/10/22	First Issue
b	YZL	KB	2958	22/05/23	Replaced SA070 with KLS2
c					
d					
e					
f					
g					
h					
i					
j					
k					
l					
m					

RA3PR/FL

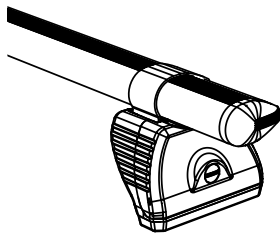
KammBar

Instructions

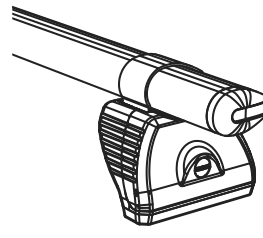


CITY CRASH (✓)

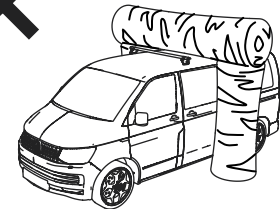
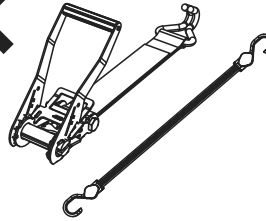
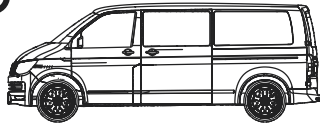
According to ISO/ PAS 11154:2006



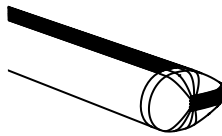
KammBar Pro & Black x 1
2.2kg/4.9lbs
Max
75kg/165lbs



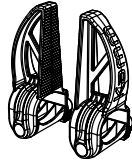
KammBar Fleet x 1
2.5kg/5.5lbs
Max
50kg/110lbs



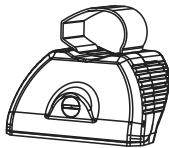
KammBar Pro & Black



**SA420/
SA537 x 3**



KLS2 x 1

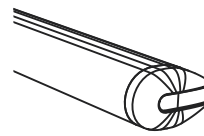


SA397 x 3

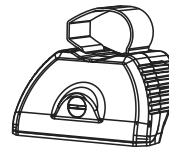


SA398 x 3

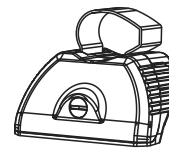
KammBar Fleet



SA394 x 3

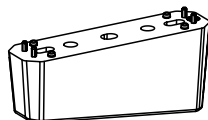


SA397 x 3

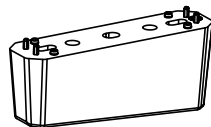


SA398 x 3

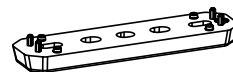
Fitting Kit



PS181 x 2



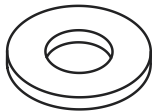
PS182 x 2



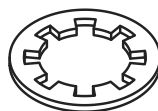
PS178 x 2



PS046 x 6



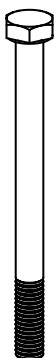
FW001 (M6) x 12



FW008 (M6) x 12



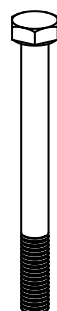
FT01 x 1



**FS102
(M6 x 75) x 2**



**FS145
(M6 x 70) x 2**



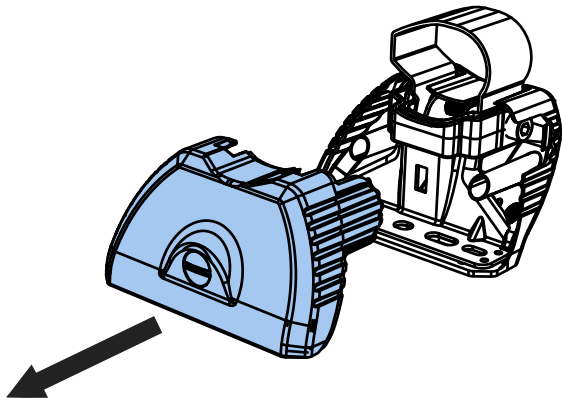
**FB009
(M6 x 65) x 4**



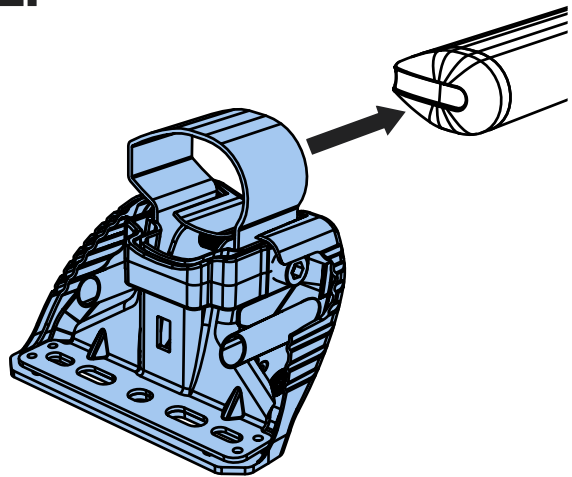
**FS039
(M6 x 30) x 4**



1.



2.



3.



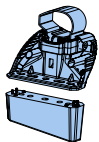
SA397

PS182



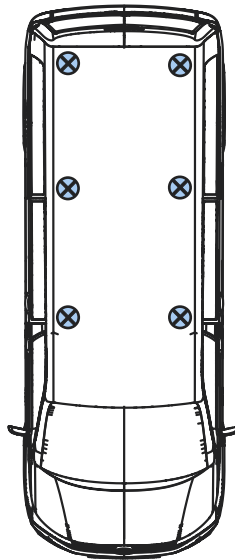
SA397

PS178



SA397

PS181

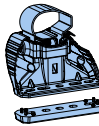


SA398



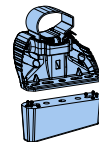
PS182

SA398



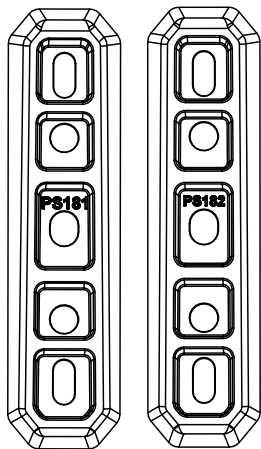
PS178

SA398



PS181

4.



5.

FS102

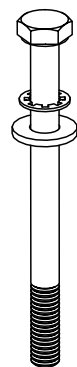
FS145

FB009

FS039

FW008

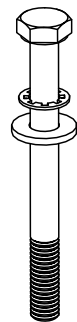
FW001



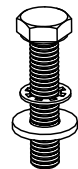
M6 x 75mm



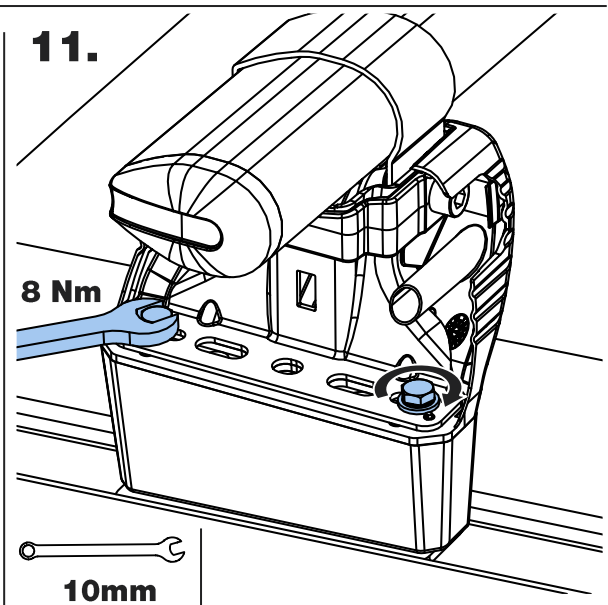
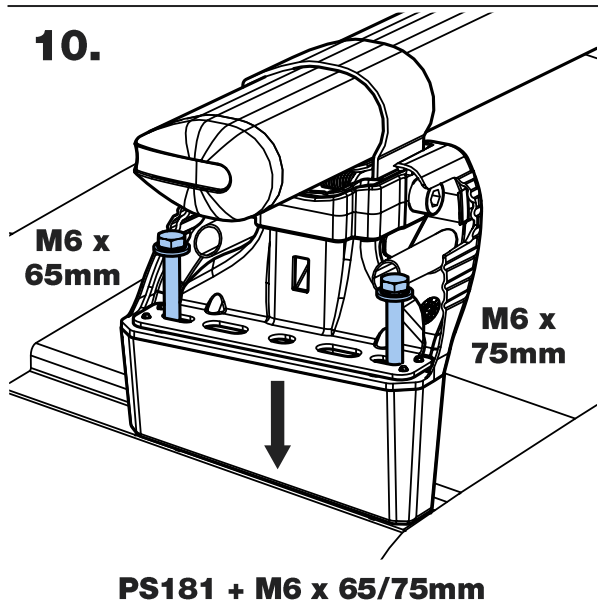
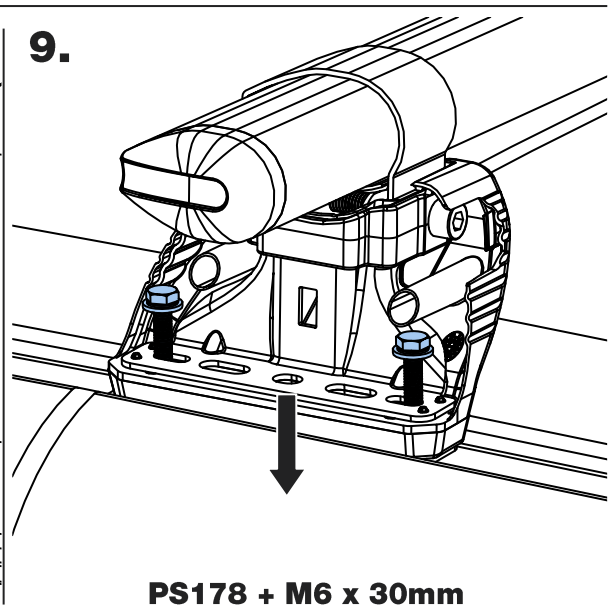
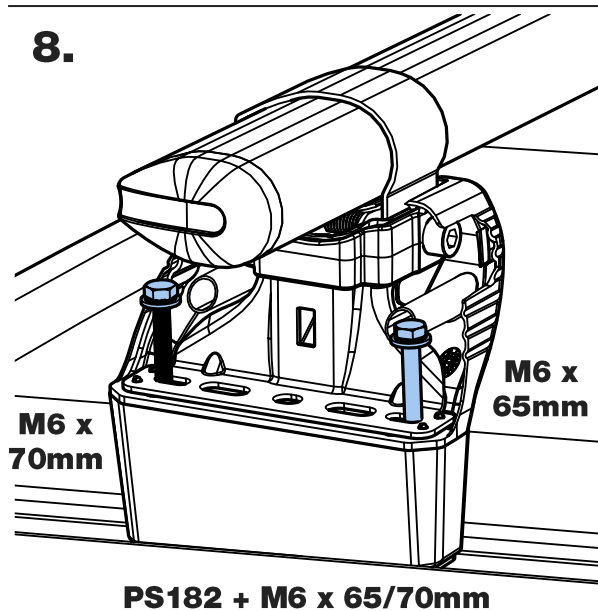
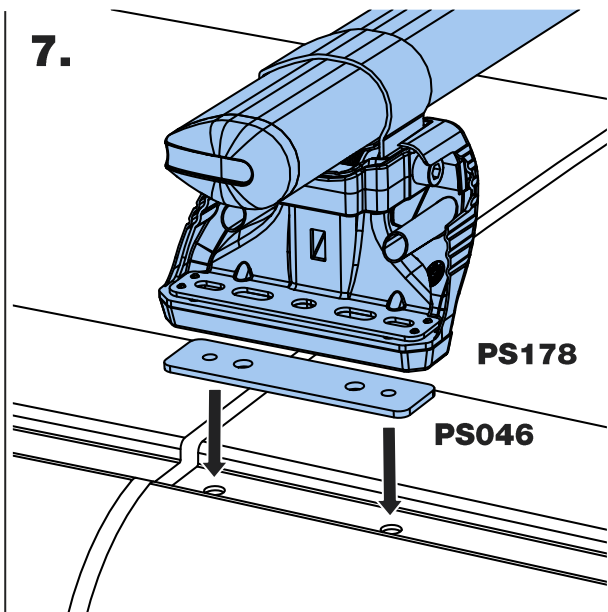
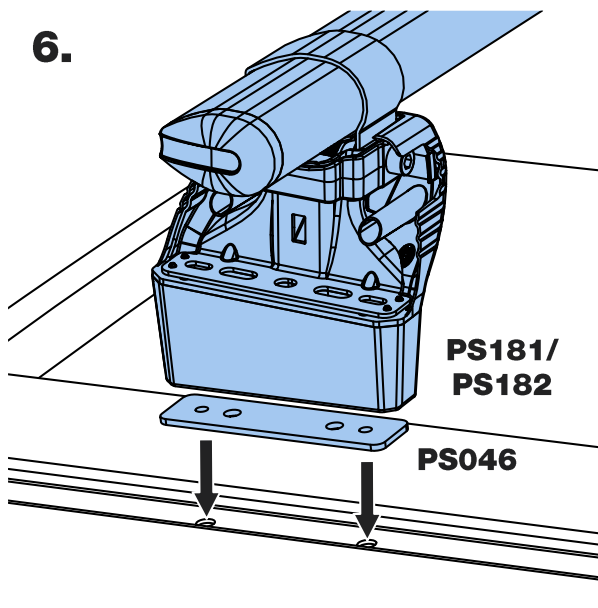
M6 x 70mm



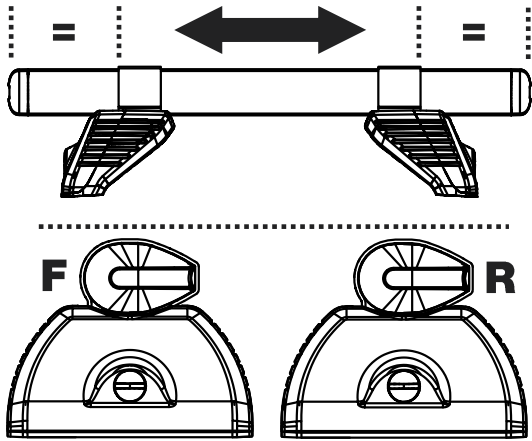
M6 x 65mm



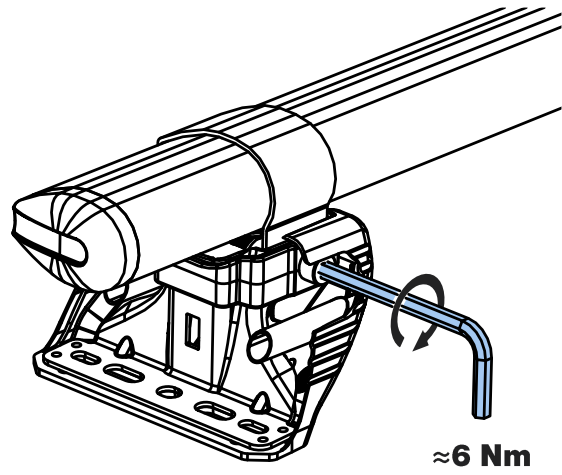
M6 x 30mm



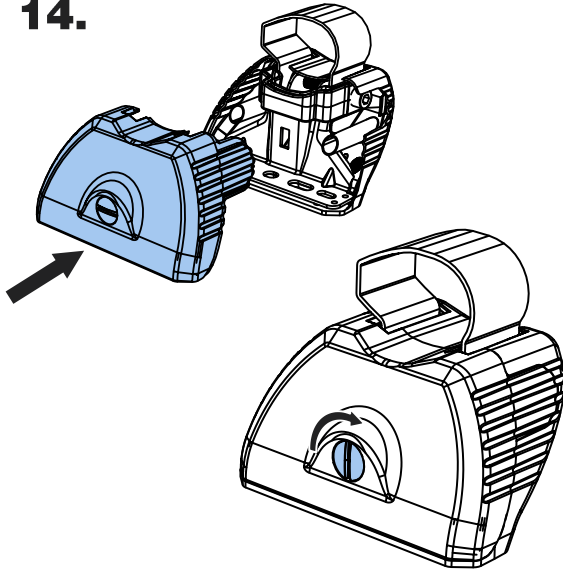
12.



13.



14.



15.

