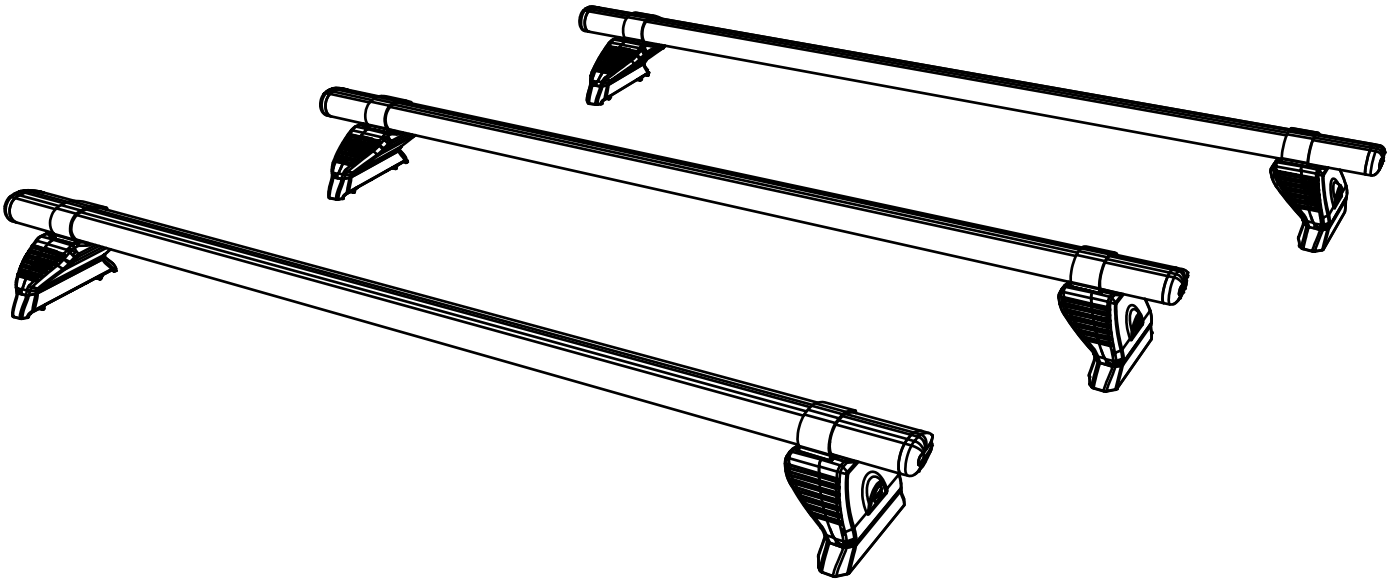


<b>ISSUE:</b>	<b>DRAWN BY:</b>	<b>CHECKED BY:</b>	<b>CRF No:</b>	<b>DATE:</b>	<b>DESCRIPTION:</b>
a	SJ	KB	2758	02/08/22	First Issue
b	YZL	KB	2958	22/05/23	Replaced SA070 with KLS2
c					
d					
e					
f					
g					
h					
i					
j					
k					
l					
m					

# QA3PR/FL

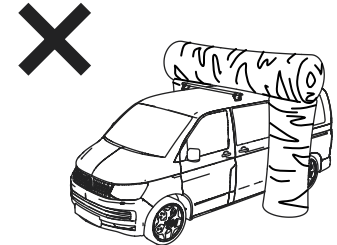
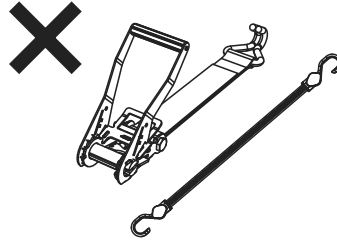
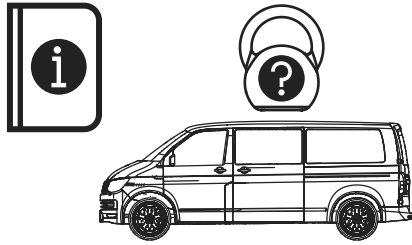
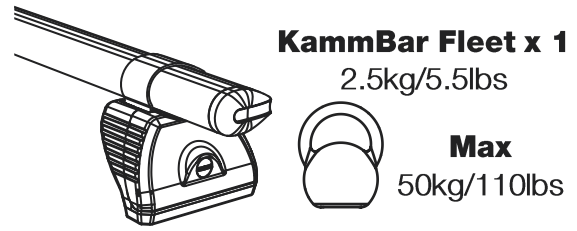
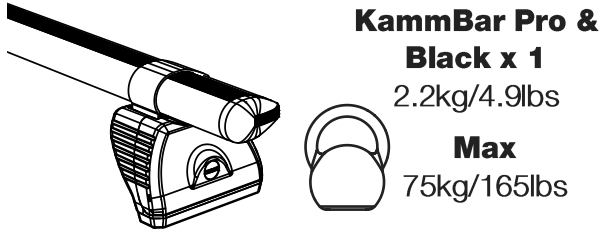
# KammBar

## Instructions

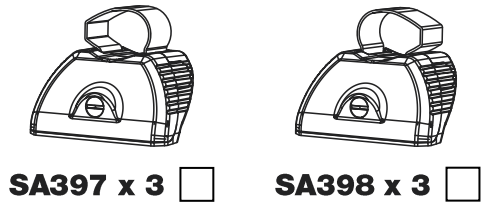
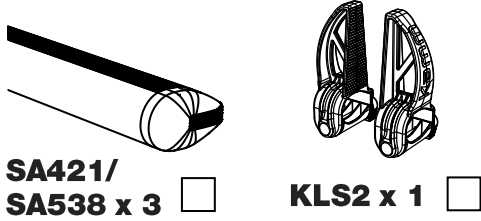


**CITY CRASH** (✓)

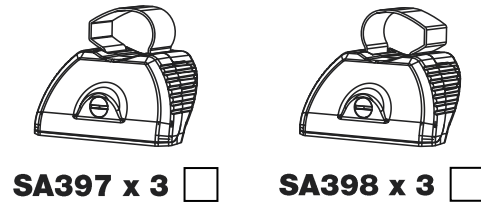
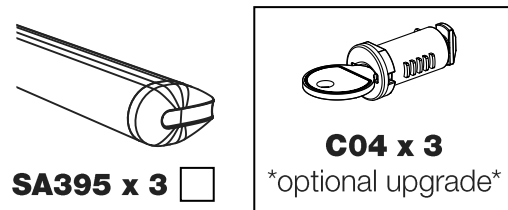
According to ISO/ PAS 11154:2006



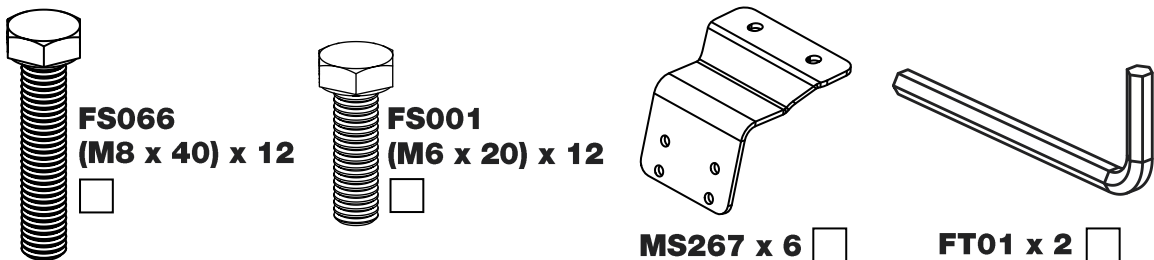
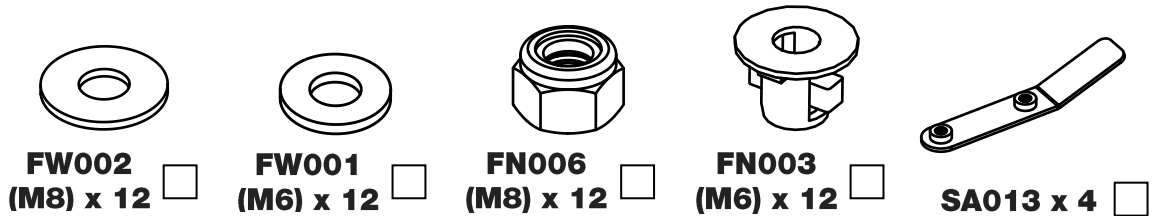
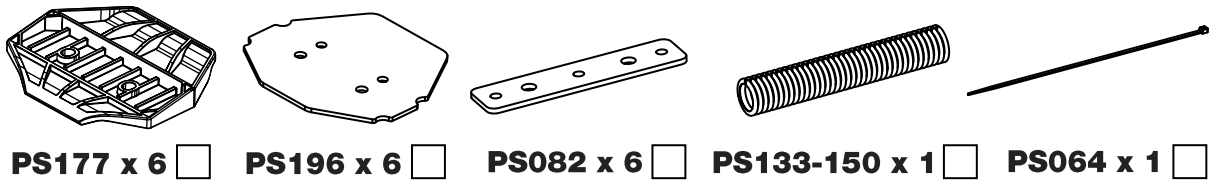
### KammBar Pro & Black



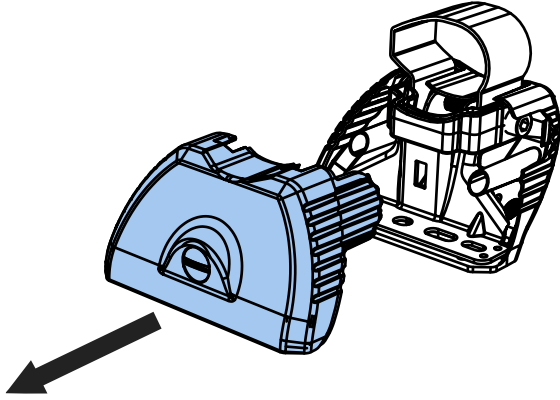
### KammBar Fleet



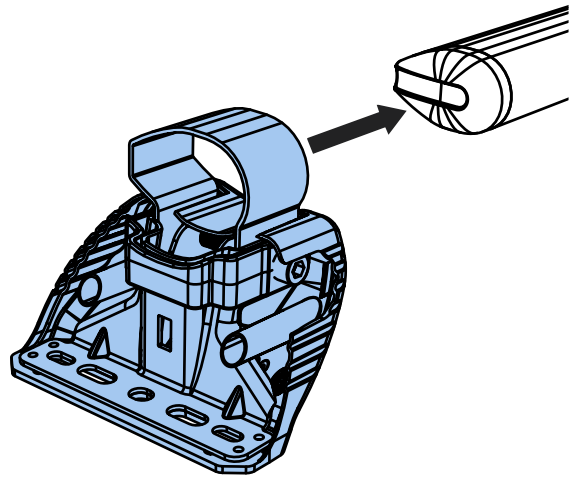
### Fitting Kit



1.



2.



3.



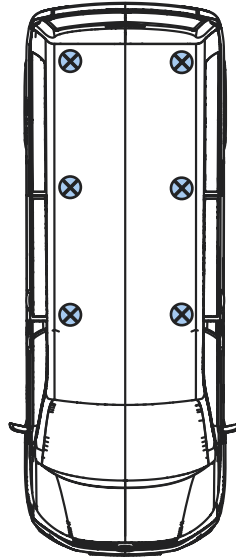
SA397  
PS177



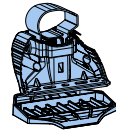
SA397  
PS177



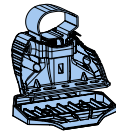
SA397  
PS177



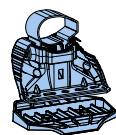
SA398  
PS177



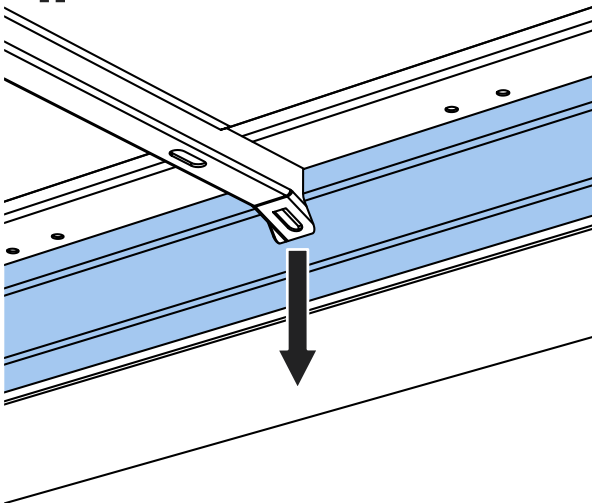
SA398  
PS177



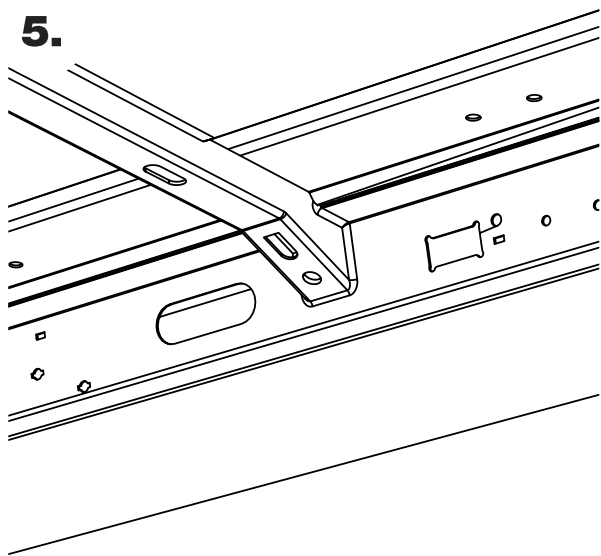
SA398  
PS177

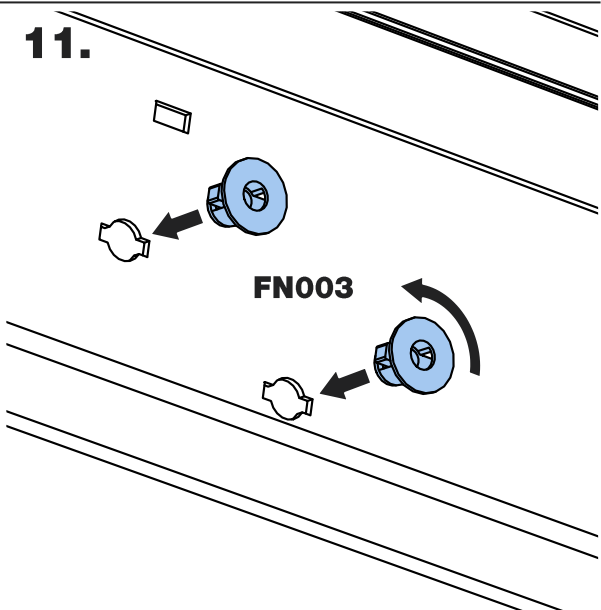
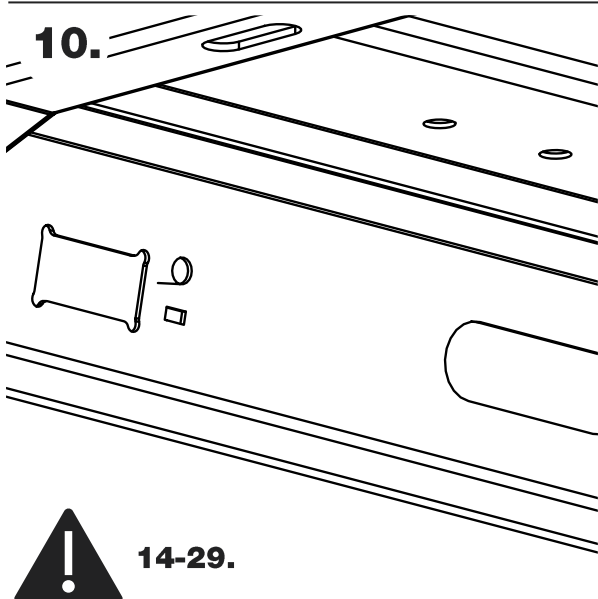
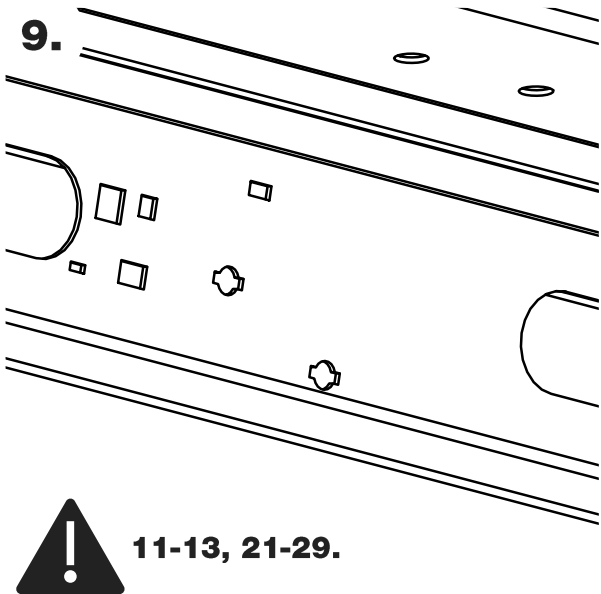
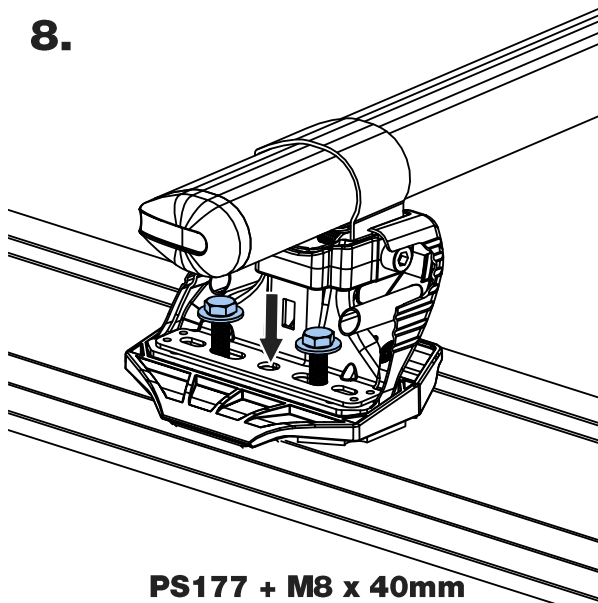
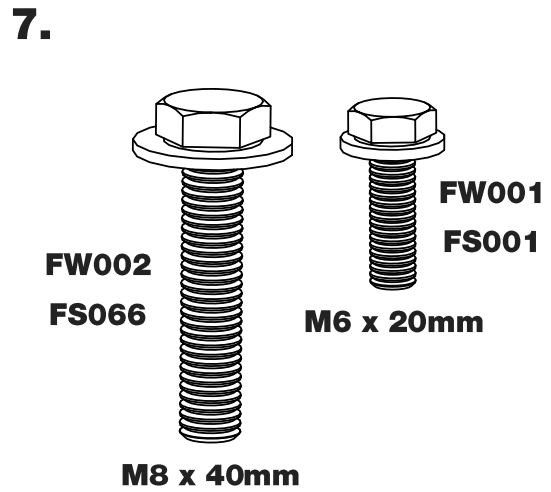
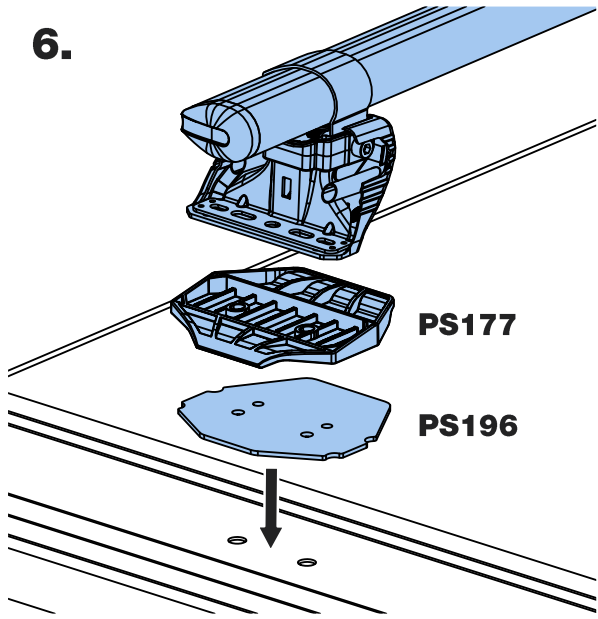


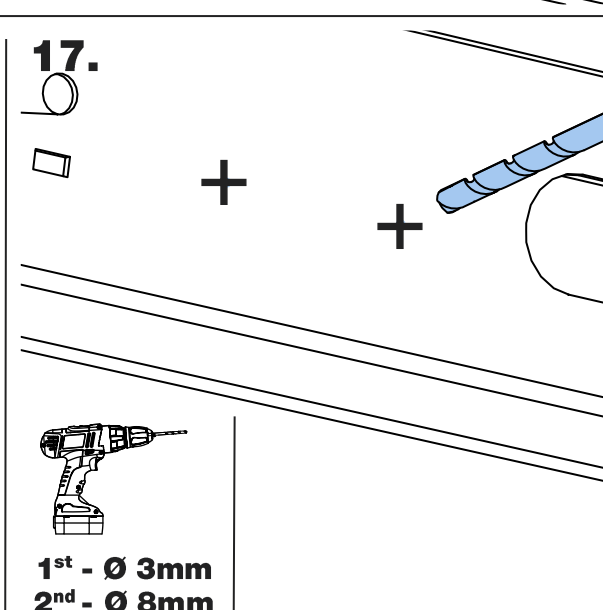
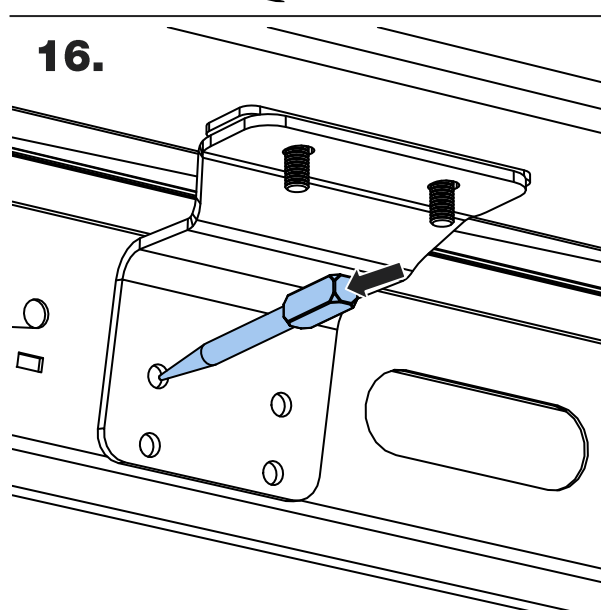
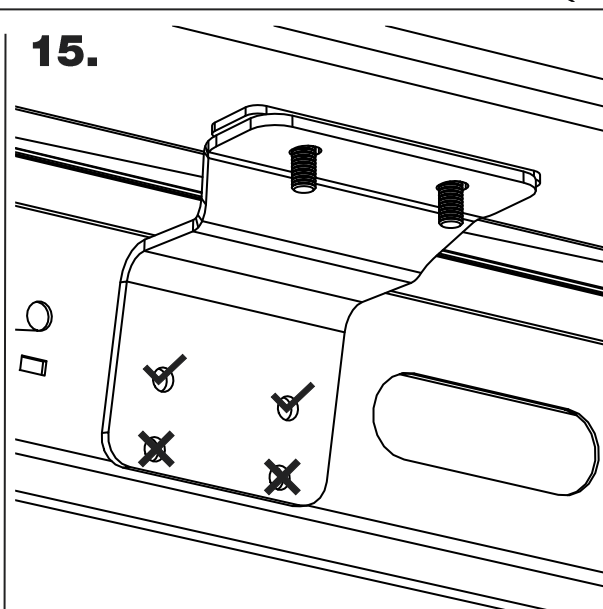
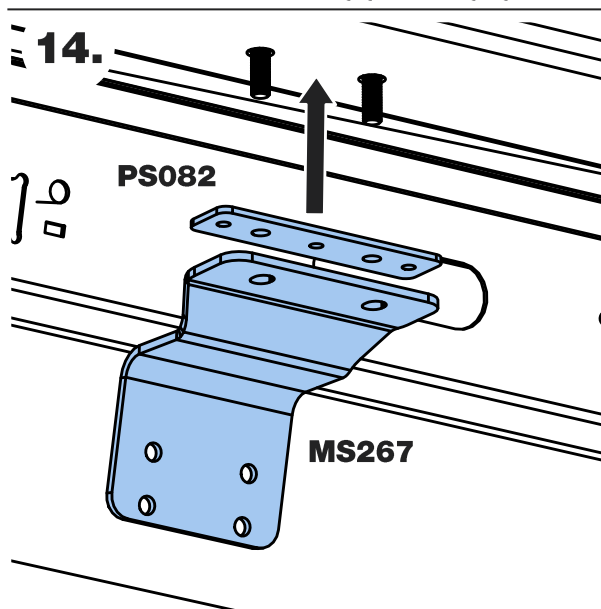
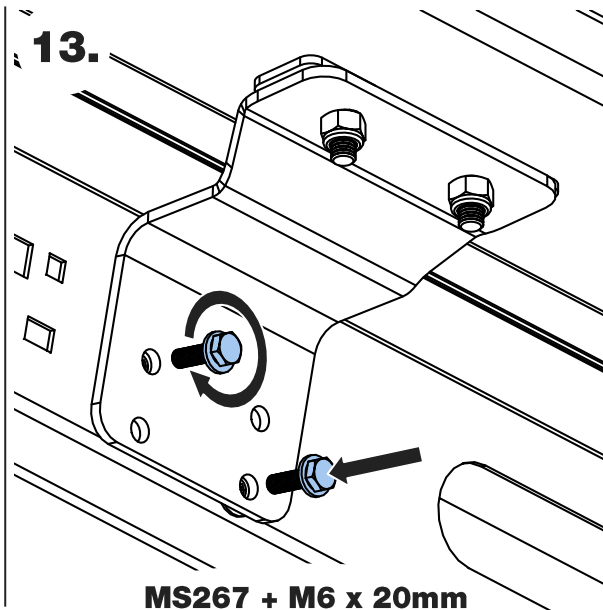
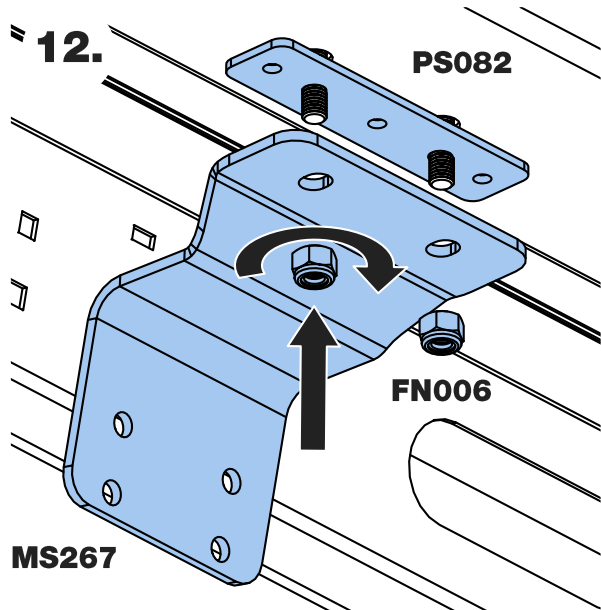
4.

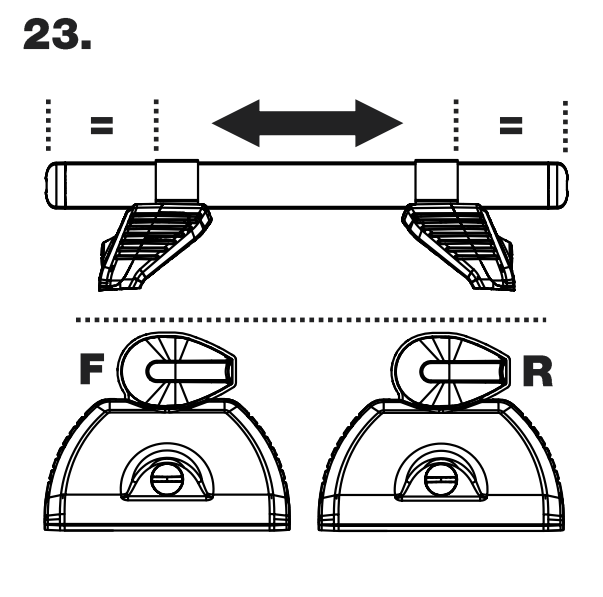
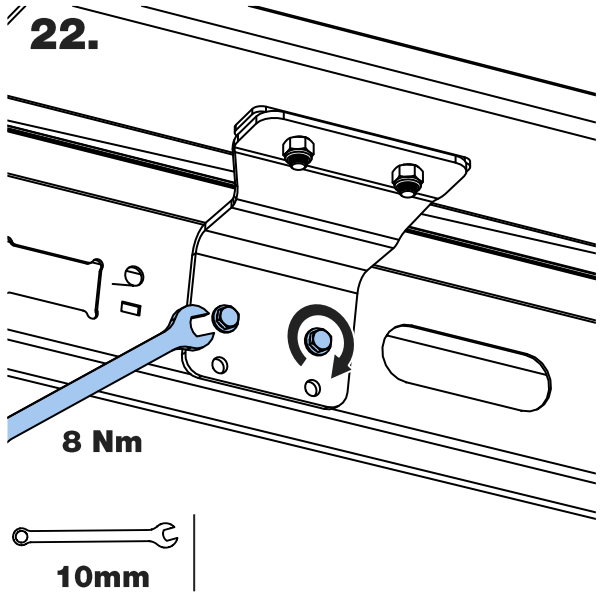
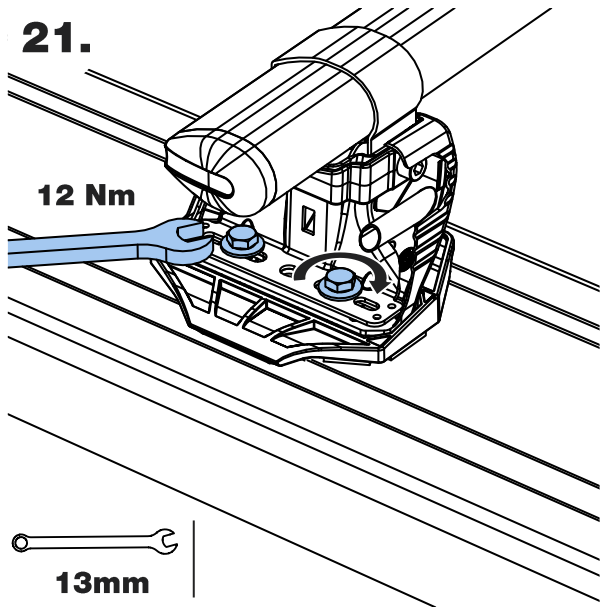
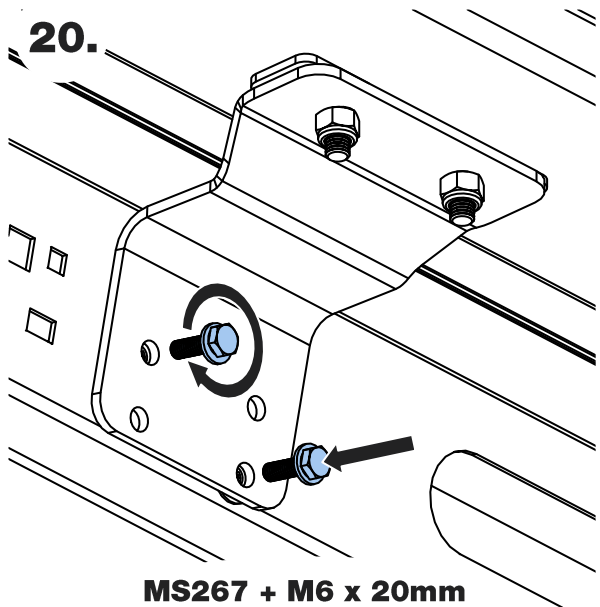
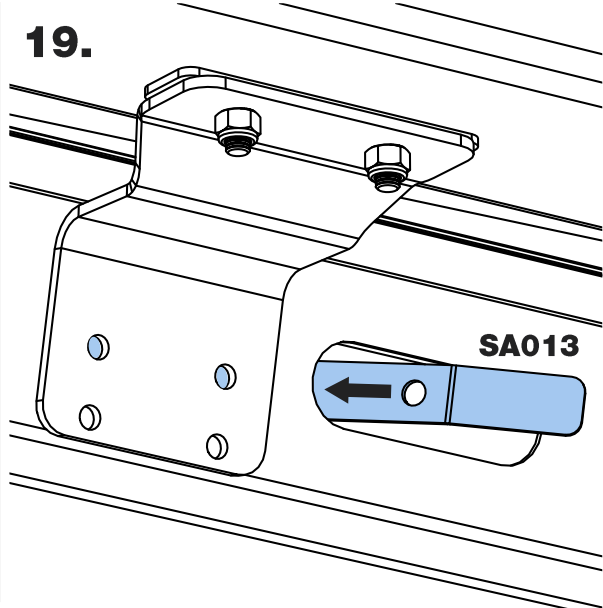
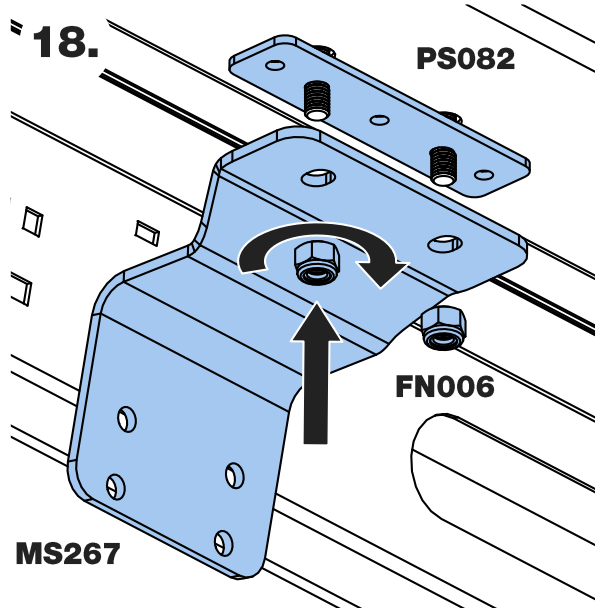


5.

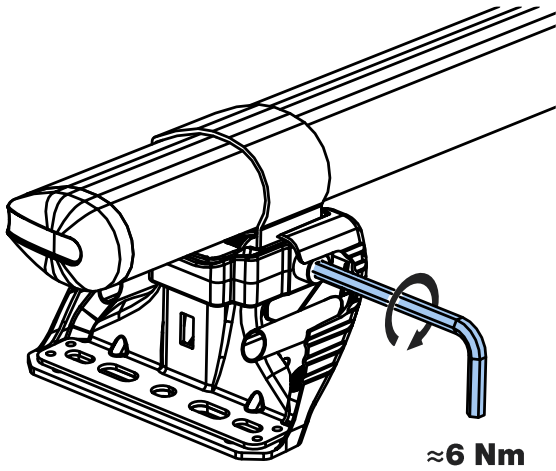




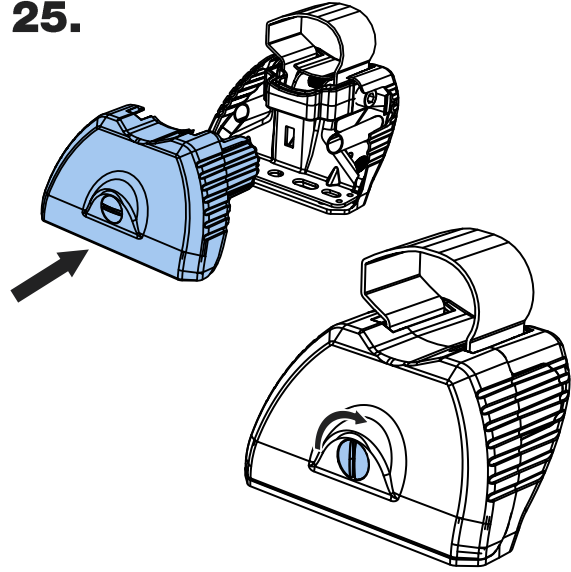




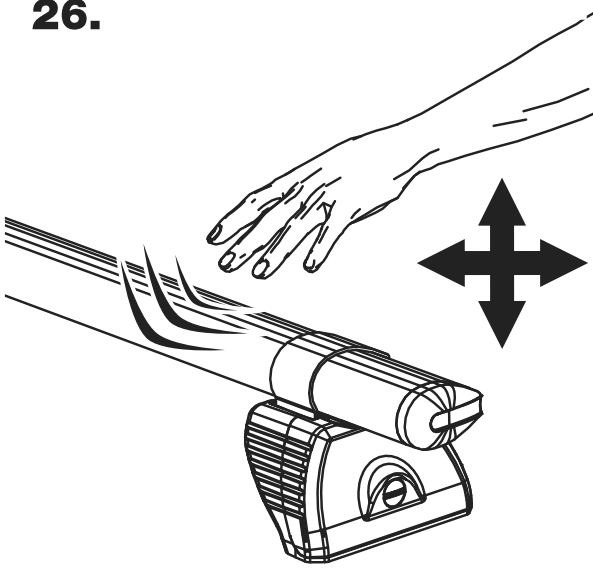
24.



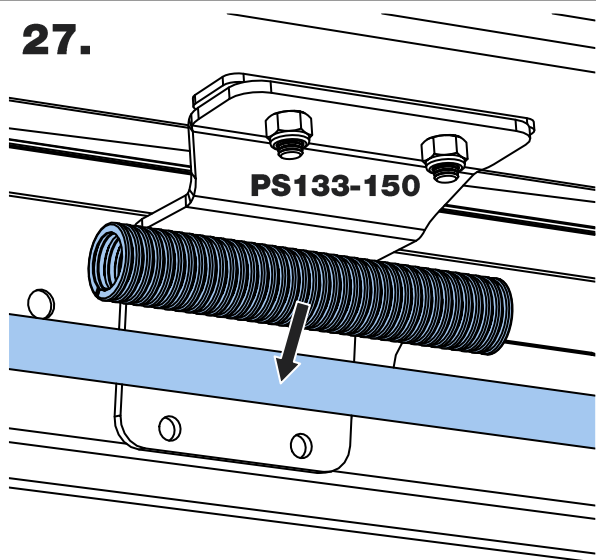
25.



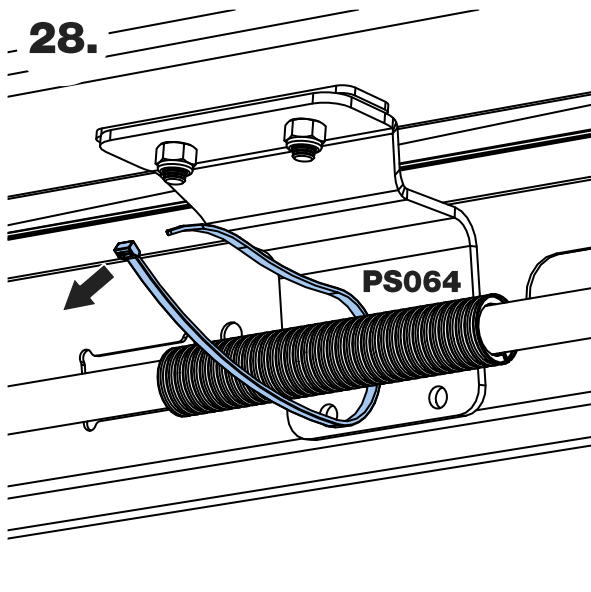
26.



27.



28.



29.

