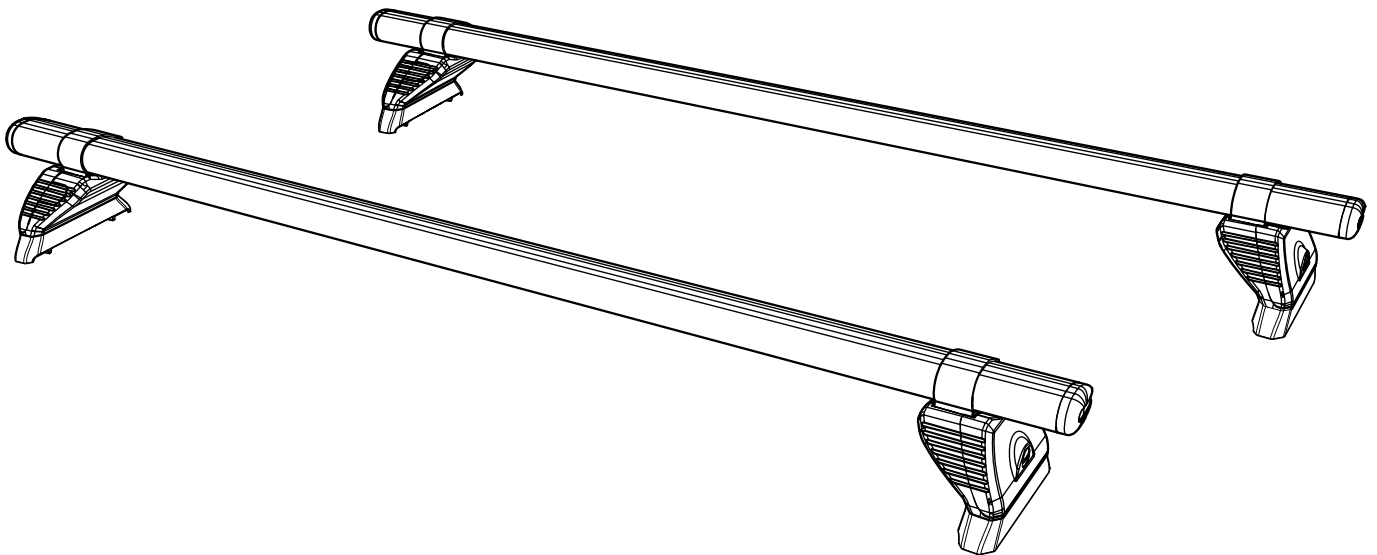


ISSUE:	DRAWN BY:	CHECKED BY:	CRF No:	DATE:	DESCRIPTION:
a	SJ	KB	2758	02/08/22	First Issue
b	YZL	KB	2958	22/05/23	Replaced SA070 with KLS2
c					
d					
e					
f					
g					
h					
i					
j					
k					
l					
m					

PB2PR/FL

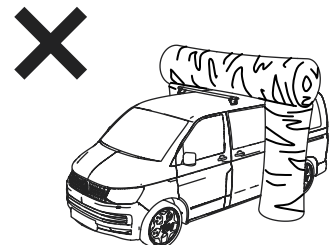
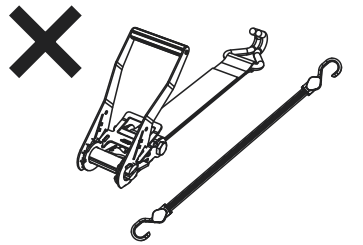
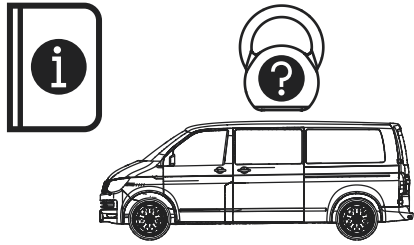
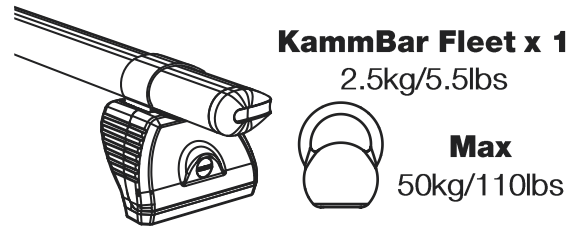
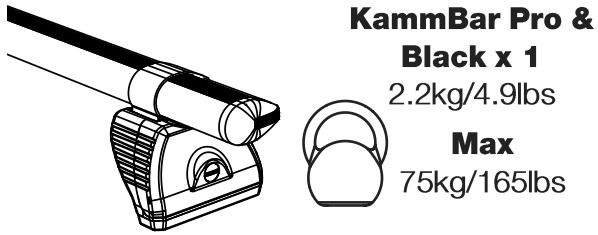
KammBar

Instructions

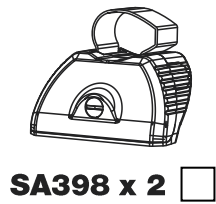
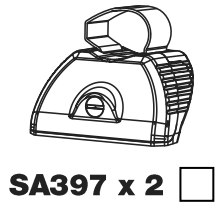
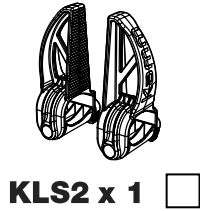
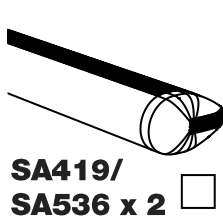


CITY CRASH (✓)

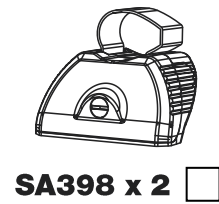
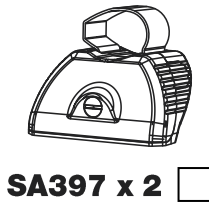
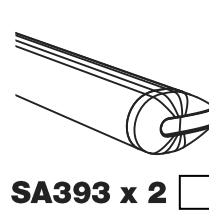
According to ISO/ PAS 11154:2006



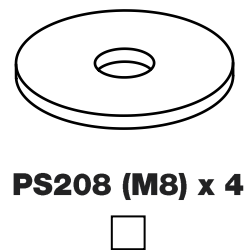
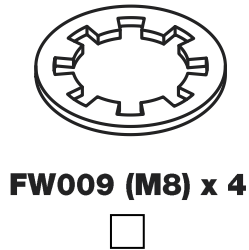
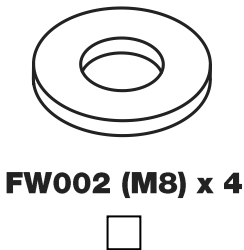
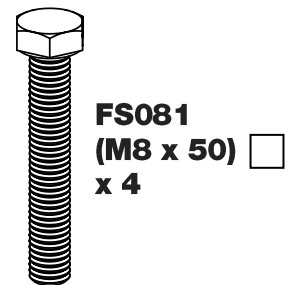
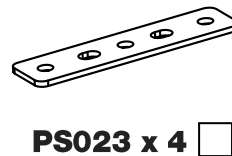
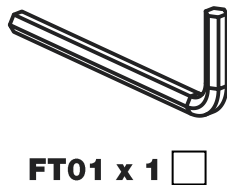
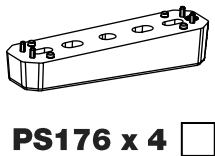
KammBar Pro & Black



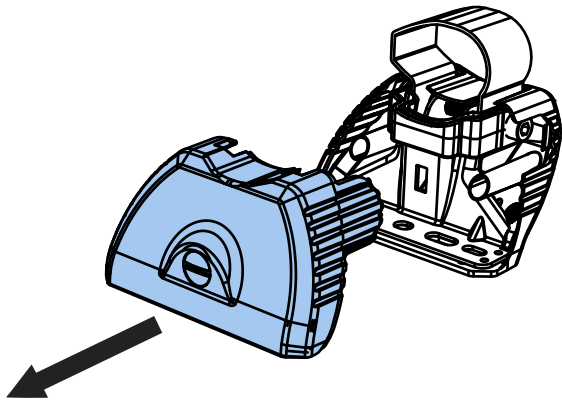
KammBar Fleet



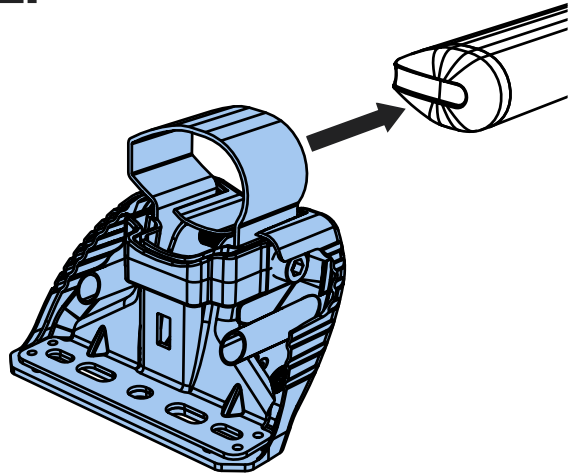
Fitting Kit



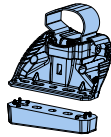
1.



2.



3.

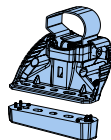
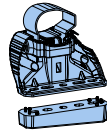


SA397

PS176

SA398

PS176

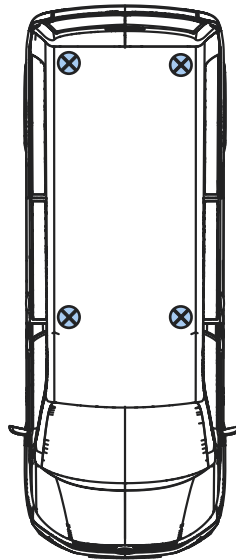
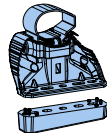


SA397

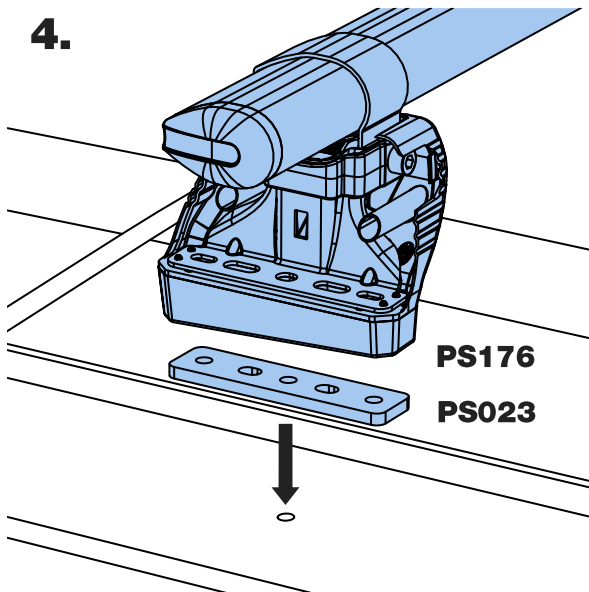
PS176

SA398

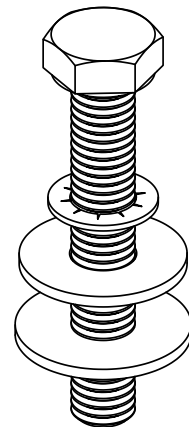
PS176



4.



5.



FS081

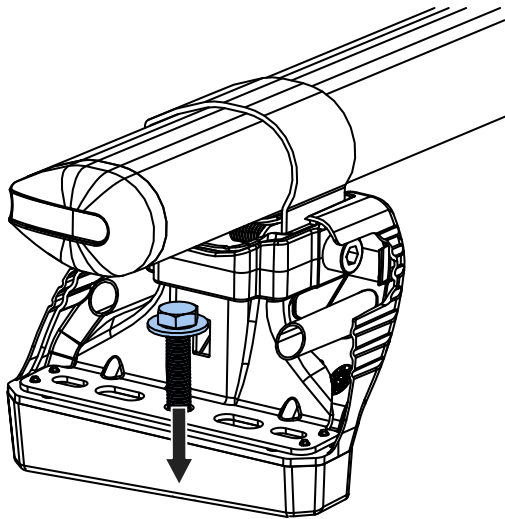
FW009

FW002

PS208

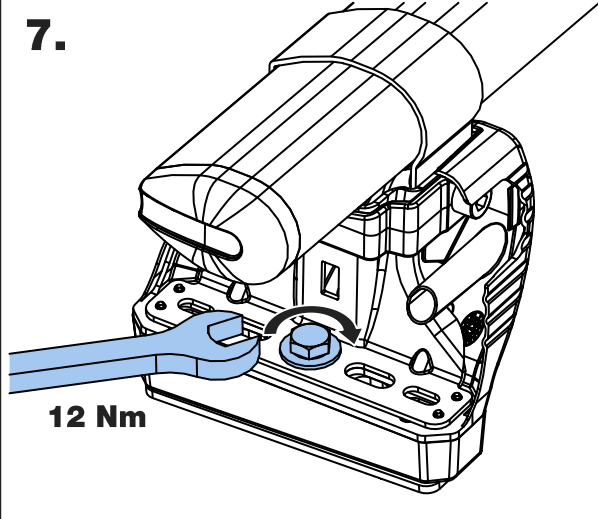
M8 x 50mm

6.

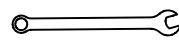


PS176 + M8 x 50mm

7.

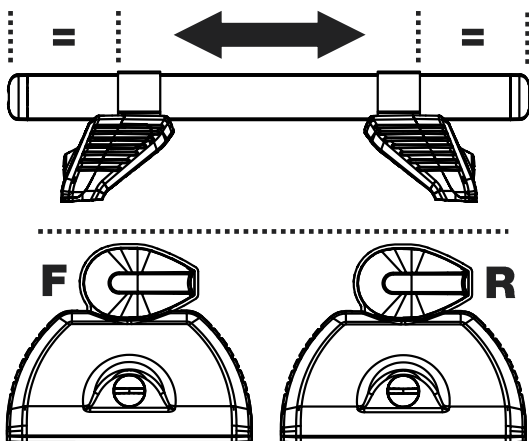


12 Nm

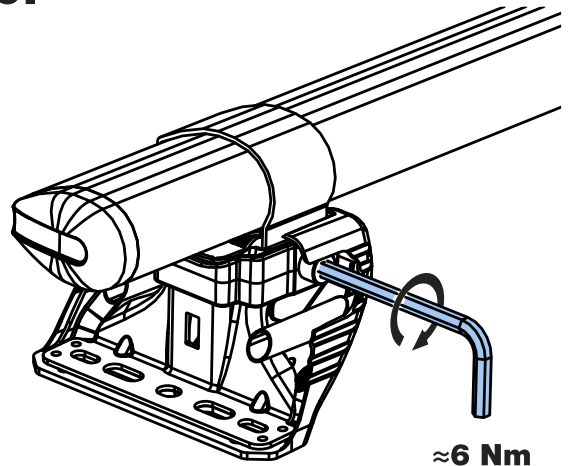


13mm

8.

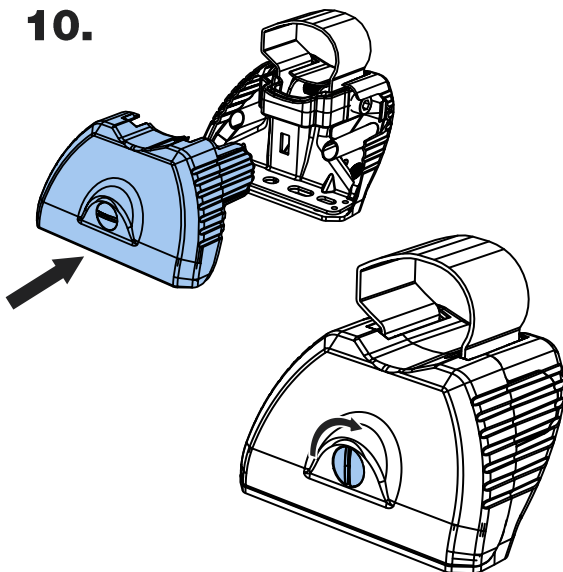


9.



≈6 Nm

10.



11.

