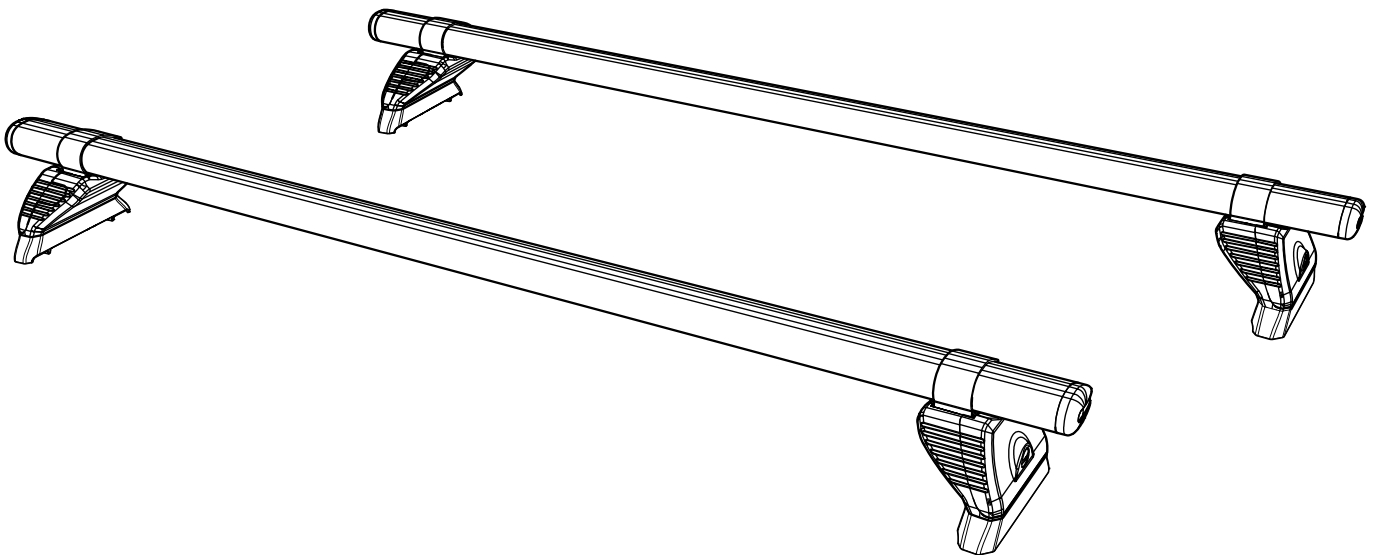


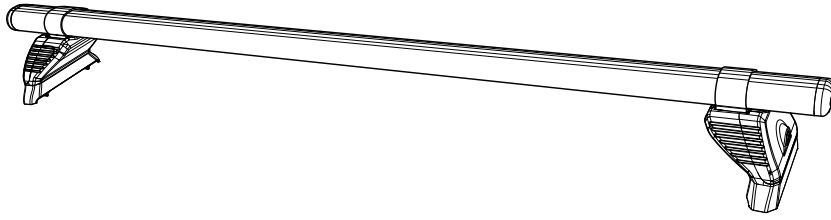
ISSUE:	DRAWN BY:	CHECKED BY:	CRF No:	DATE:	DESCRIPTION:
a	SJ	KB	2832	09/11/22	First Issue
b					
c					
d					
e					
f					
g					
h					
i					
j					
k					
l					
m					

# MA2FL KammBar Instructions



**CITY CRASH** (✓)

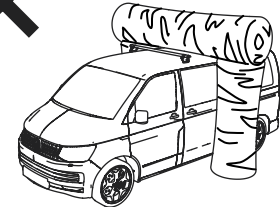
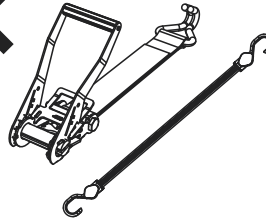
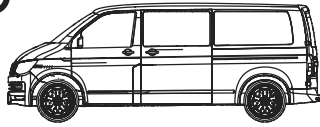
According to ISO/ PAS 11154:2006



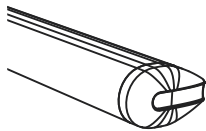
**KammBar Fleet x 1**  
2.5kg/5.5lbs



**Max**  
50kg/110lbs



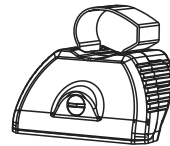
## KammBar Fleet



SA395 x 2



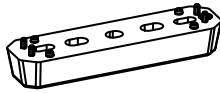
SA397 x 2



SA398 x 2



## Fitting Kit



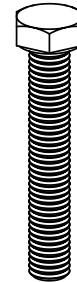
PS183 x 4



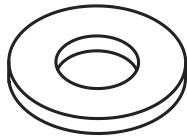
FT01 x 1



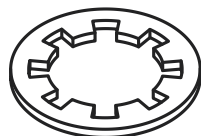
FN020 (M6) x 8



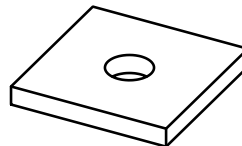
FS042  
(M6 x 40) x 8



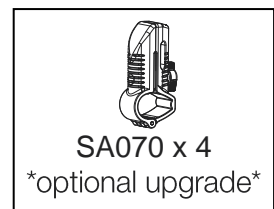
FW001 (M6) x 8



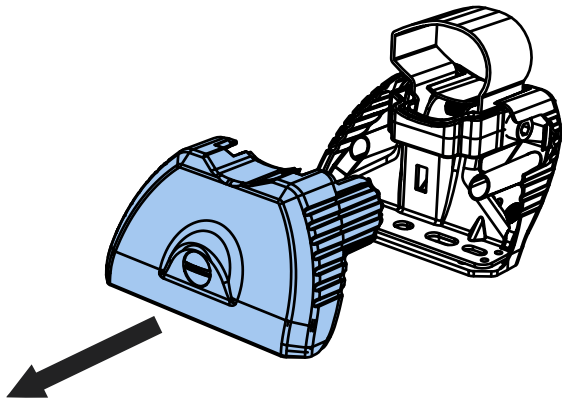
FW008 (M6) x 8



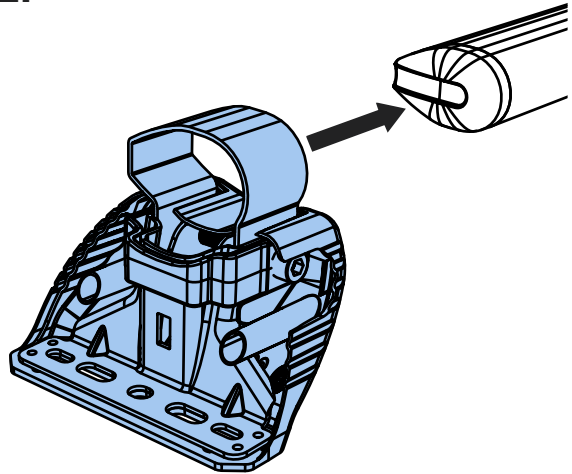
PS024 x 8



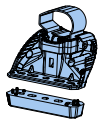
1.



2.

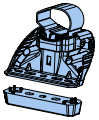


3.



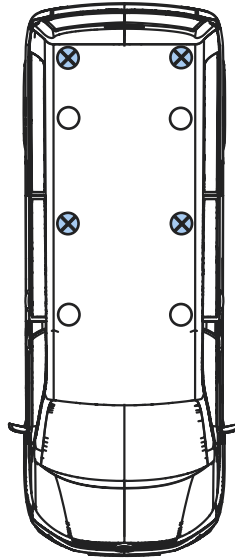
SA397

PS183

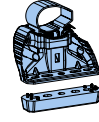


SA397

PS183

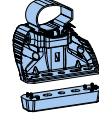


SA398



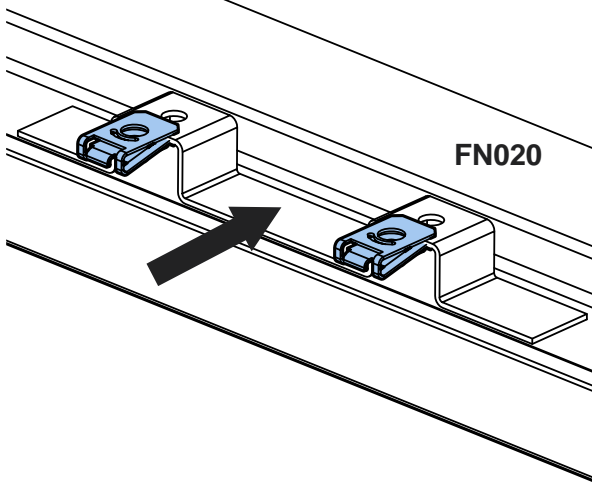
PS183

SA398

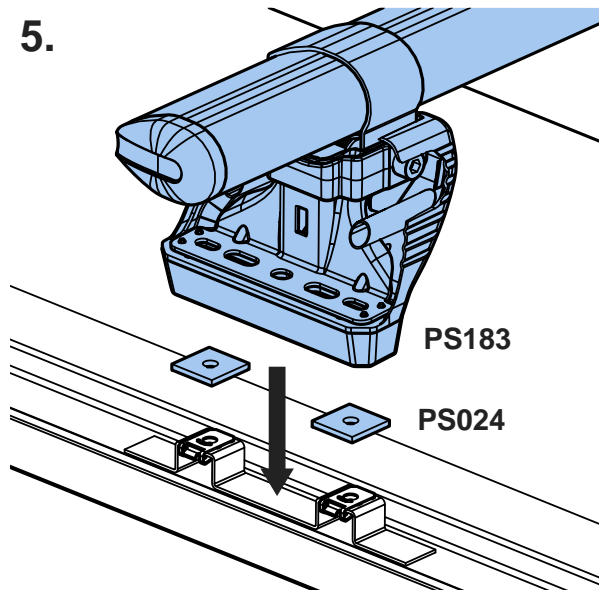


PS183

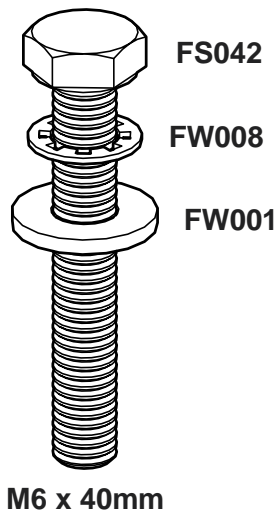
4.



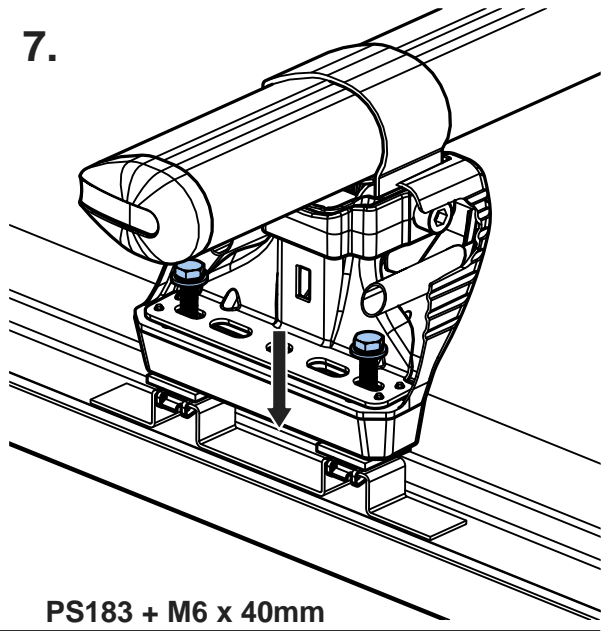
5.



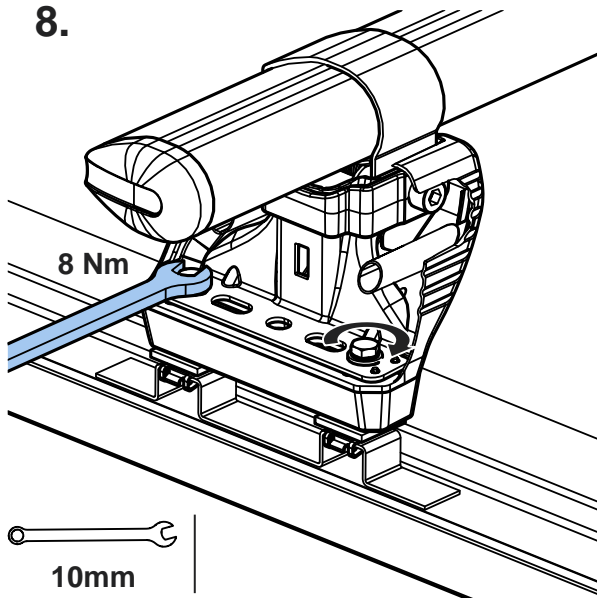
6.



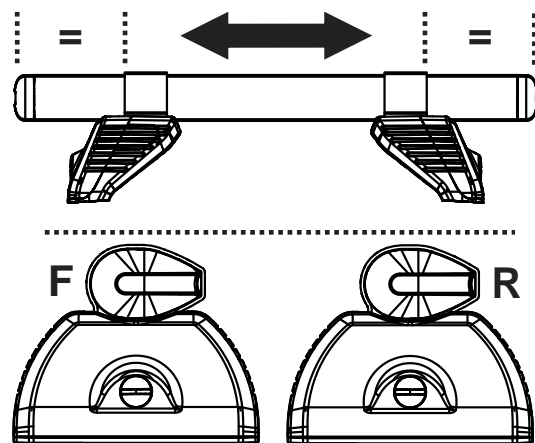
7.



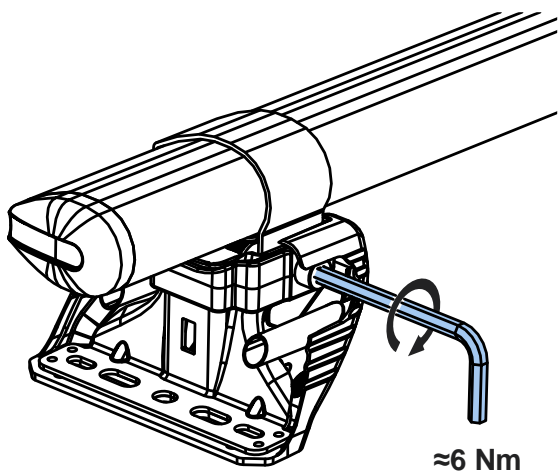
8.



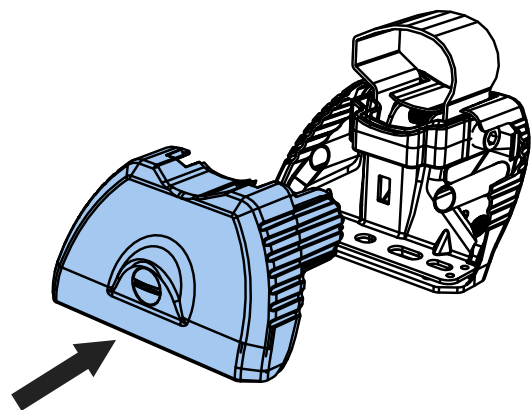
9.



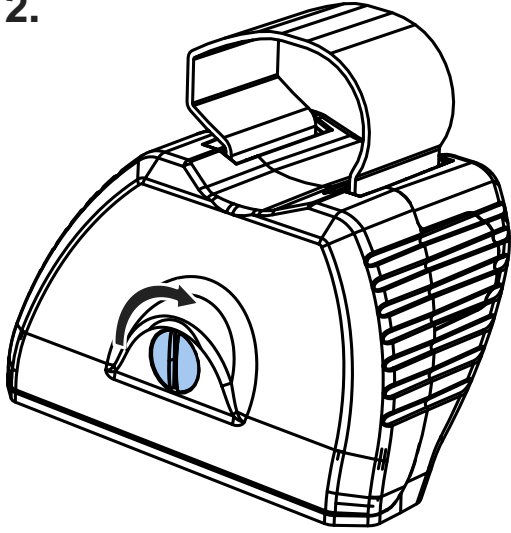
10.



11.



12.



13.

