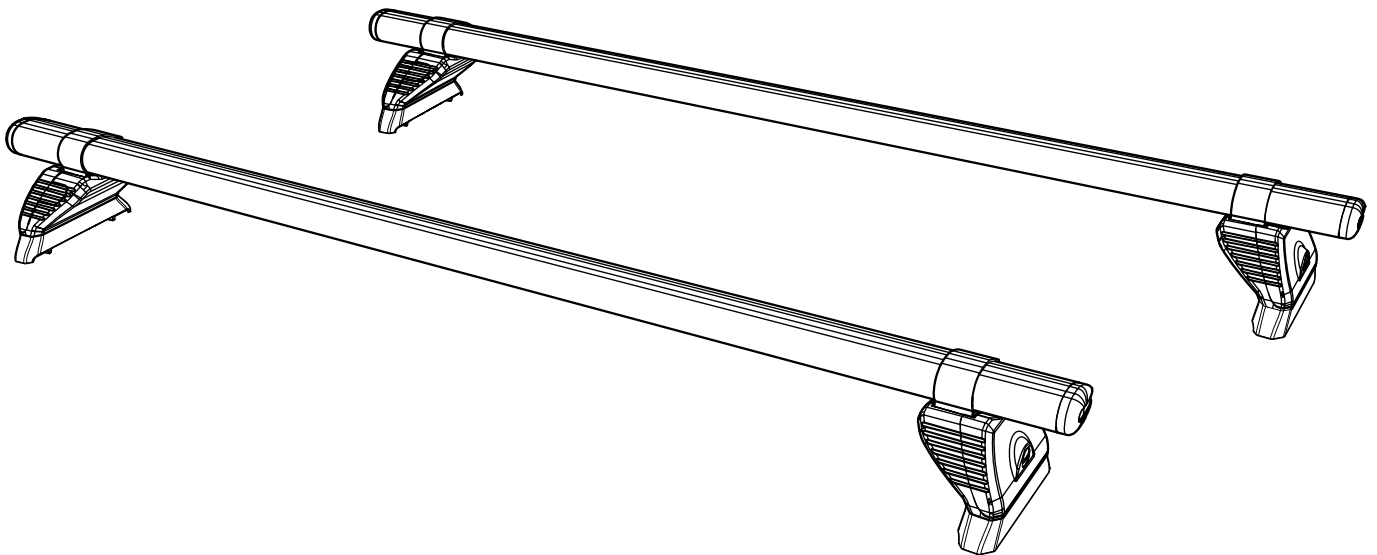


<b>ISSUE:</b>	<b>DRAWN BY:</b>	<b>CHECKED BY:</b>	<b>CRF No:</b>	<b>DATE:</b>	<b>DESCRIPTION:</b>
a	SJ	KB	2758	02/08/22	First Issue
b	YZL	KB	2958	22/05/23	Replaced SA070 with KLS2
c					
d					
e					
f					
g					
h					
i					
j					
k					
l					
m					

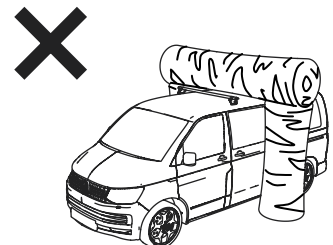
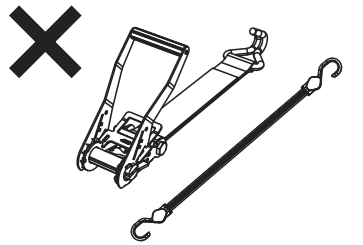
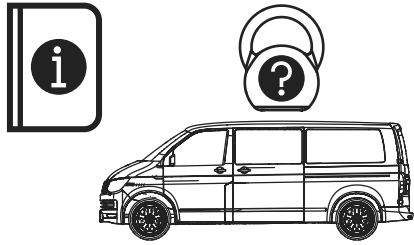
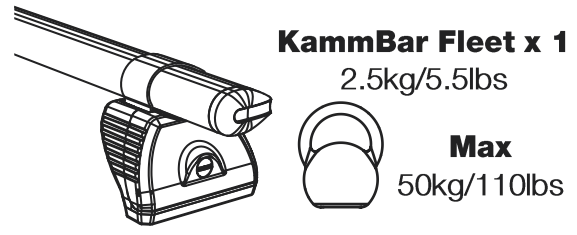
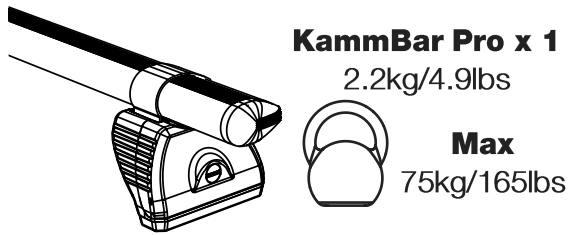
# LE2PR/FL KammBar

## Instructions

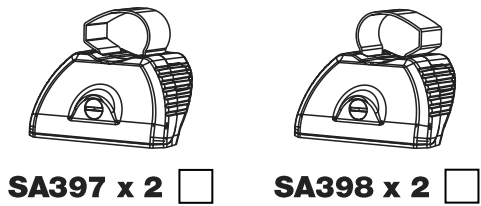
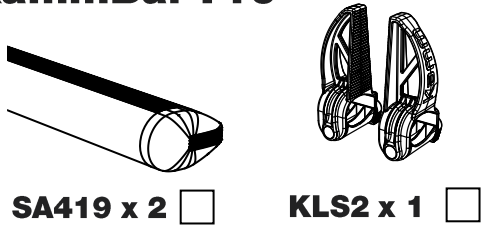


**CITY CRASH** (✓)

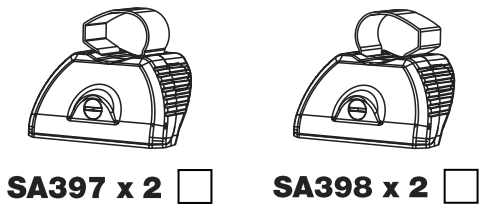
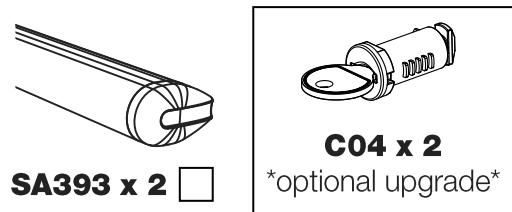
According to ISO/ PAS 11154:2006



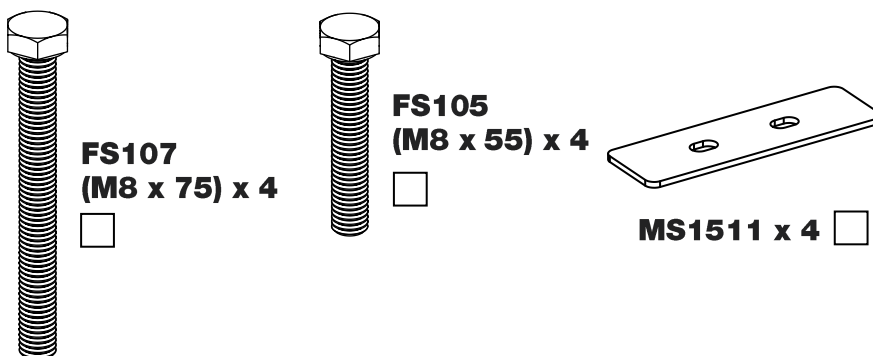
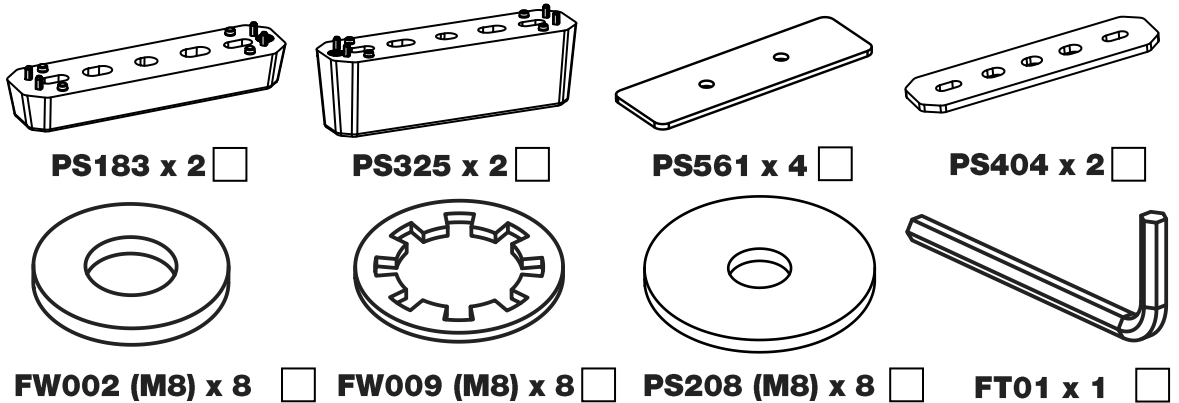
### KammBar Pro



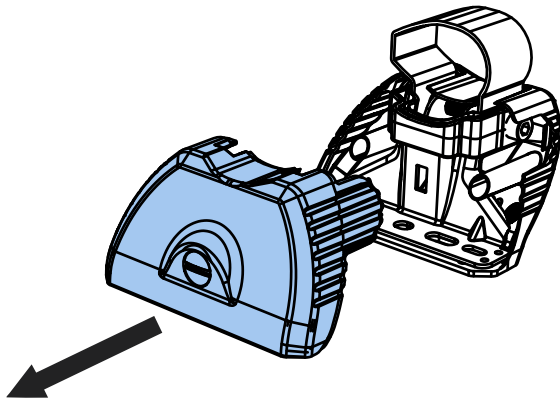
### KammBar Fleet



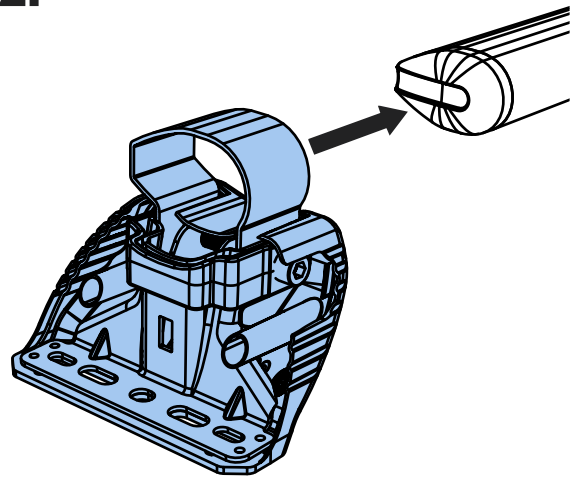
### Fitting Kit



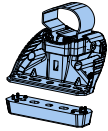
1.



2.

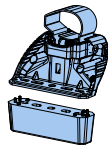
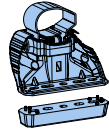


3.



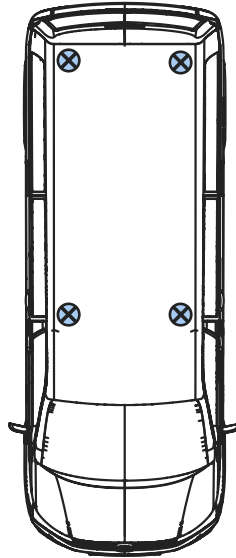
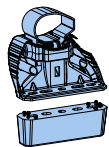
SA397  
PS183

SA398  
PS183

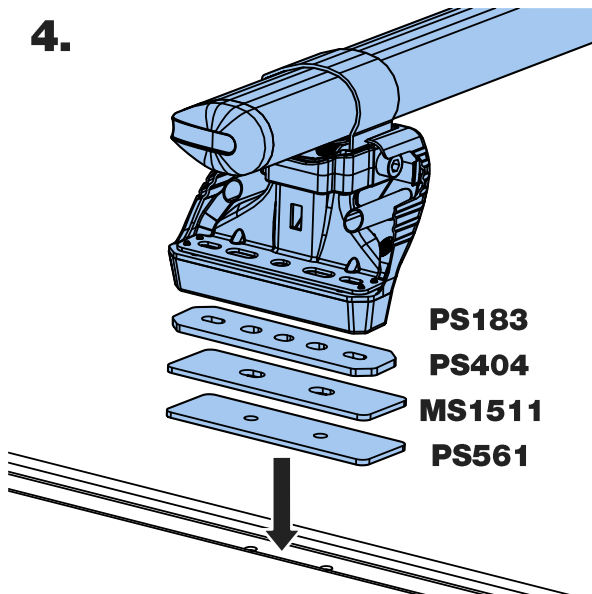


SA397  
PS325

SA398  
PS325

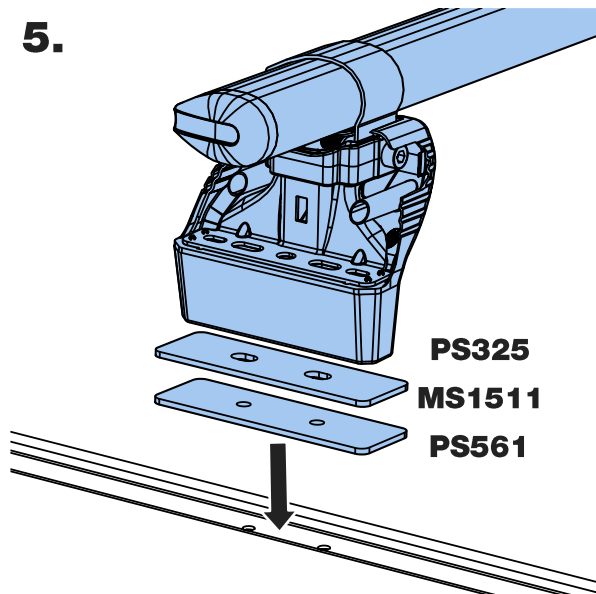


4.



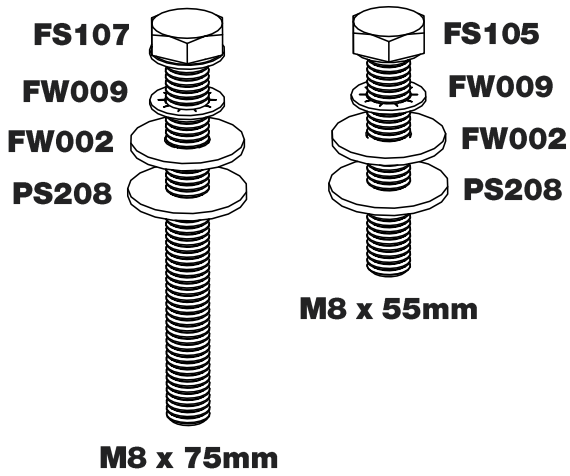
PS183  
PS404  
MS1511  
PS561

5.

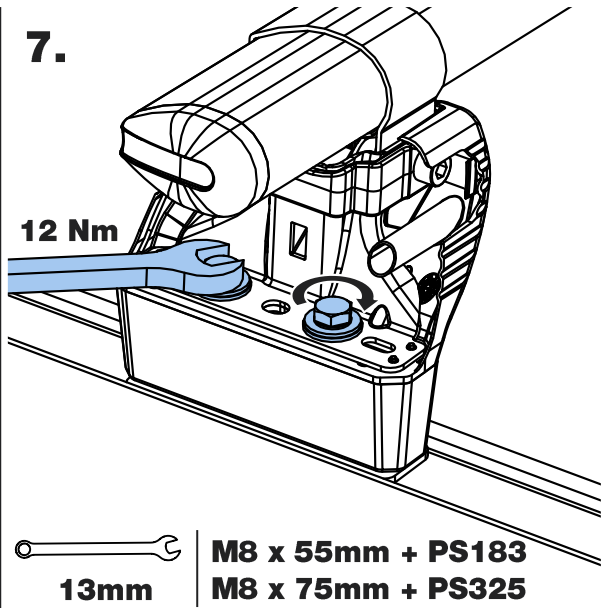


PS325  
MS1511  
PS561

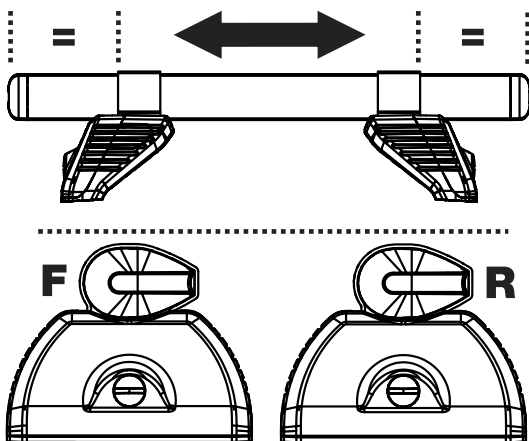
6.



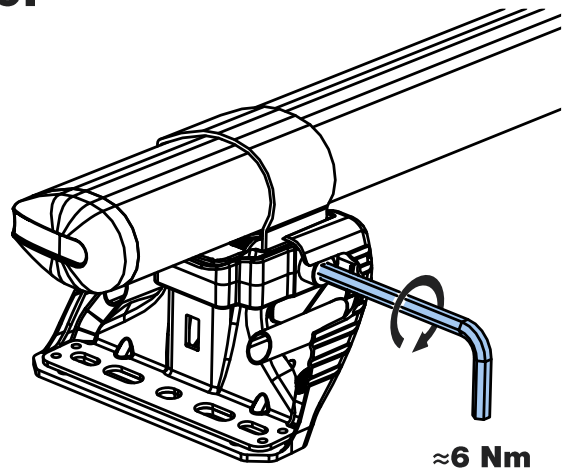
7.



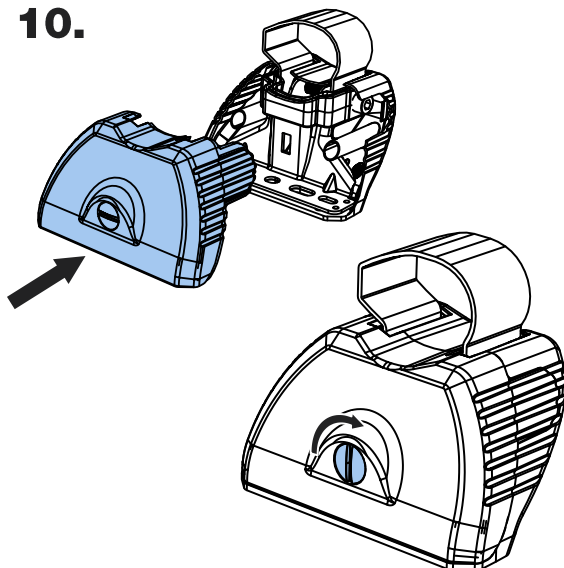
8.



9.



10.



11.

