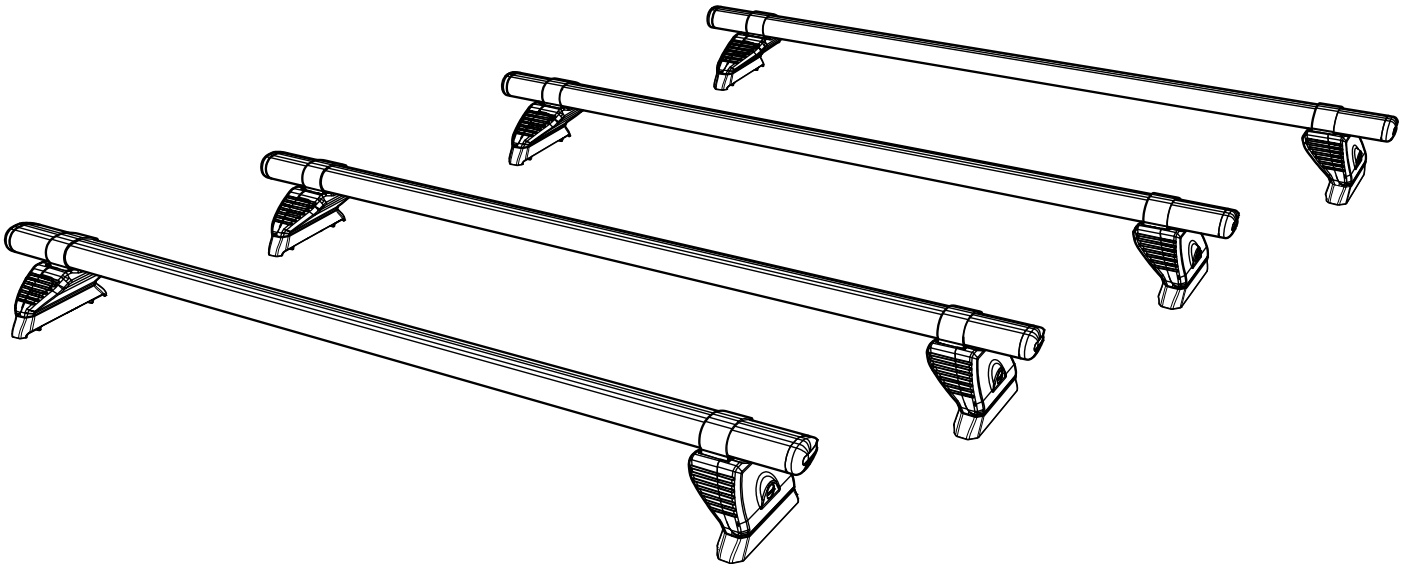


<b>ISSUE:</b>	<b>DRAWN BY:</b>	<b>CHECKED BY:</b>	<b>CRF No:</b>	<b>DATE:</b>	<b>DESCRIPTION:</b>
a	SJ	KB	2758	02/08/22	First Issue
b	YZL	KB	2958	22/05/23	Replaced SA070 with KLS2
c					
d					
e					
f					
g					
h					
i					
j					
k					
l					
m					

# KD4PR/FL

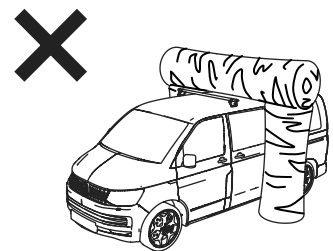
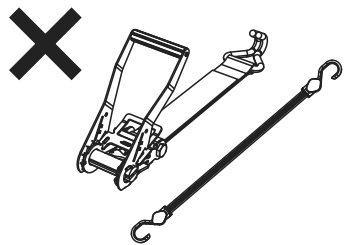
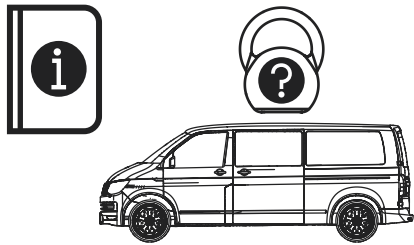
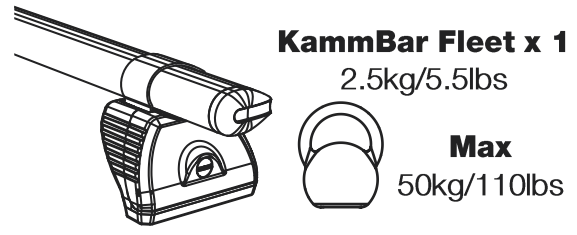
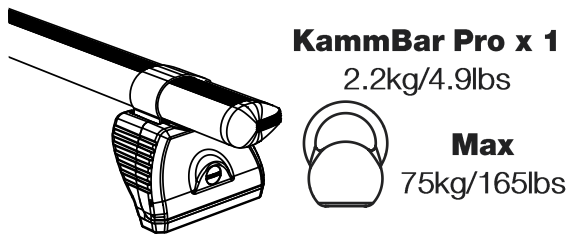
# KammBar

## Instructions

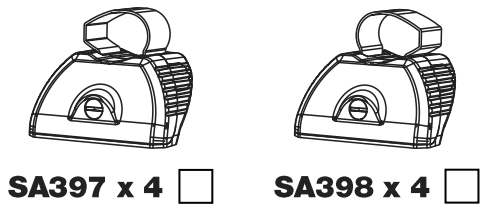
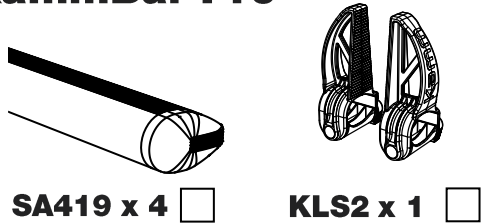


**CITY CRASH** (✓)

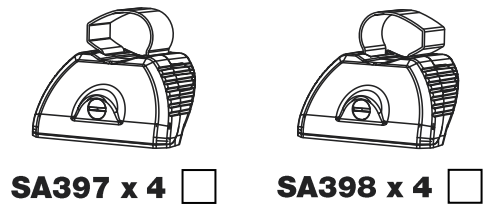
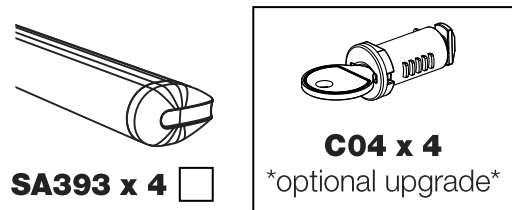
According to ISO/ PAS 11154:2006



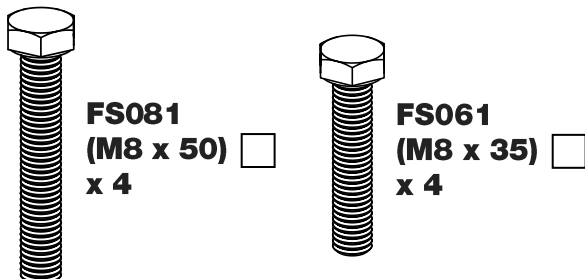
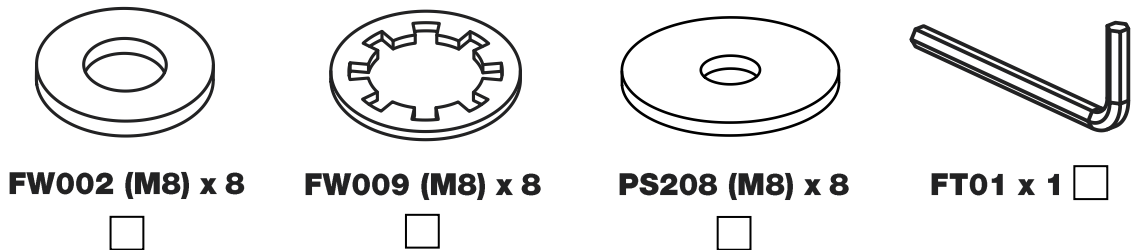
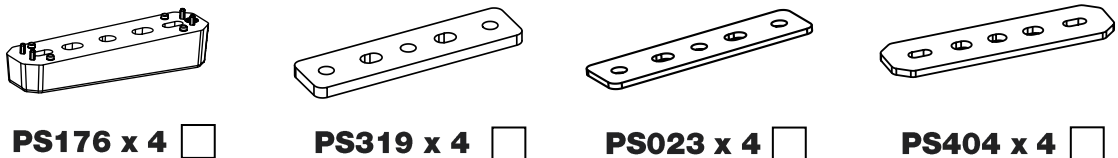
### KammBar Pro



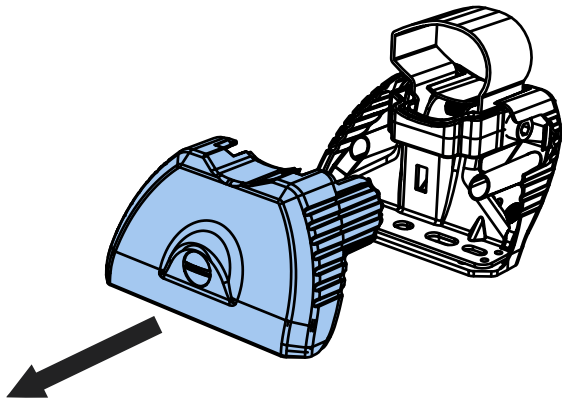
### KammBar Fleet



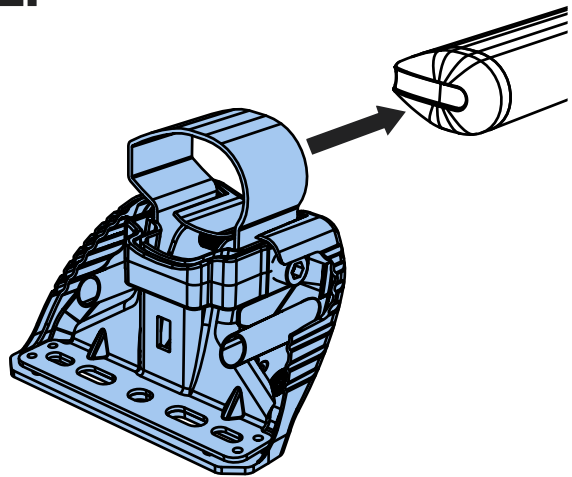
### Fitting Kit



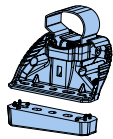
1.



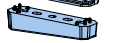
2.



3.



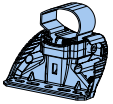
SA397



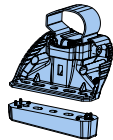
PS176



SA397

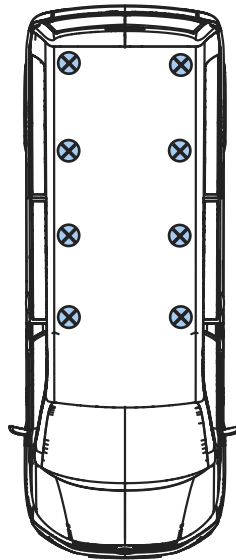


SA397



SA397

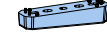
PS176



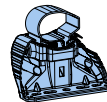
SA398



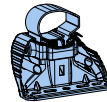
PS176



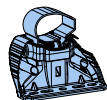
SA398



SA398



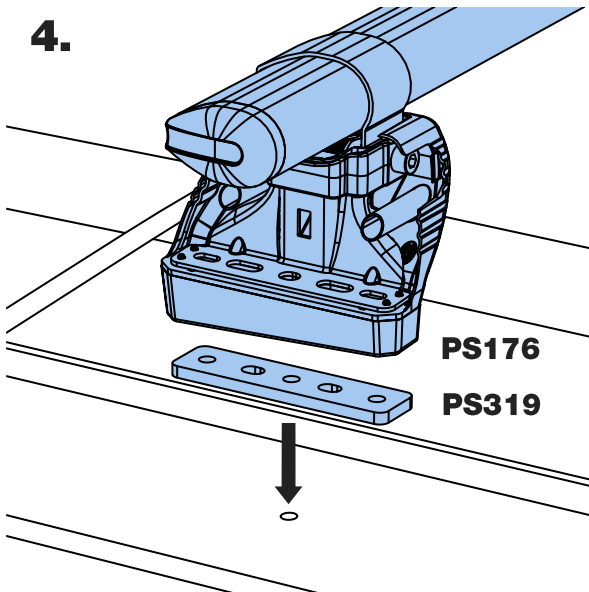
SA398



PS176



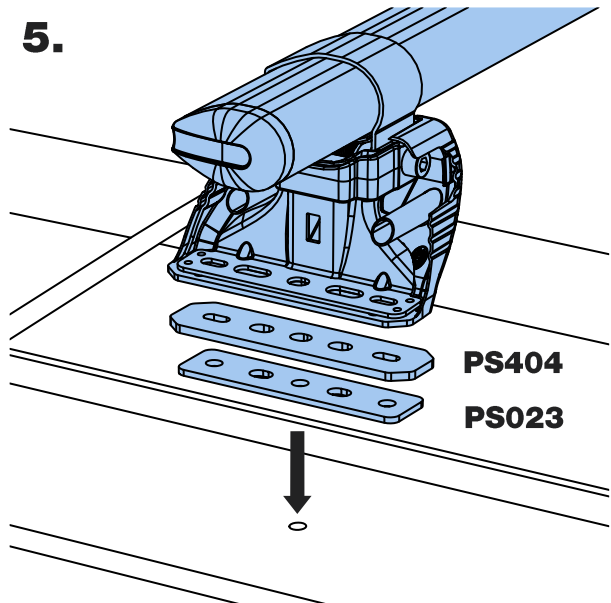
4.



PS176

PS319

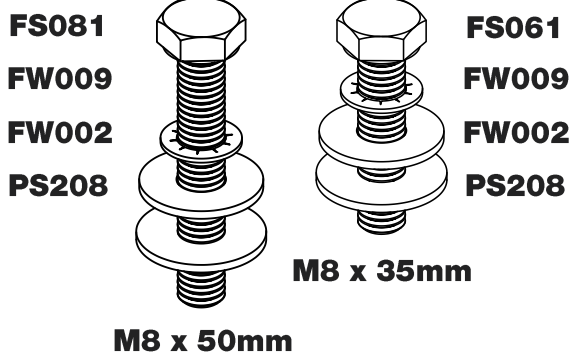
5.



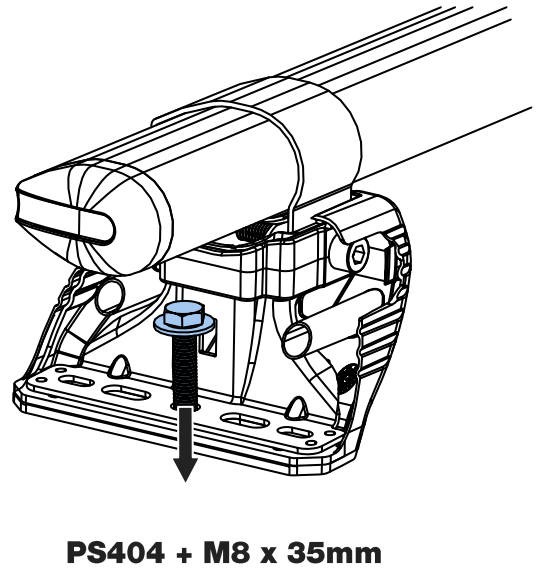
PS404

PS023

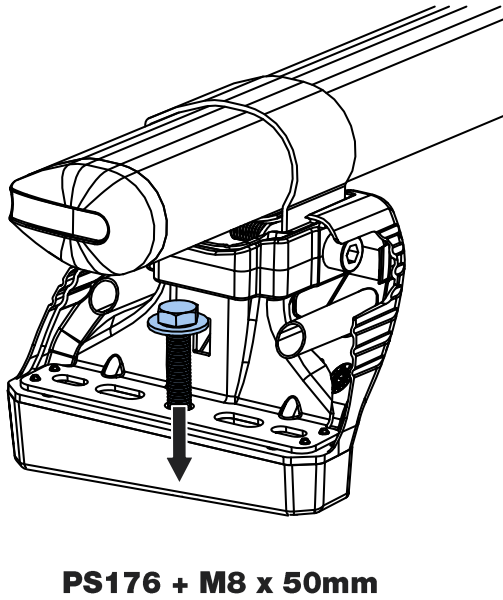
6.



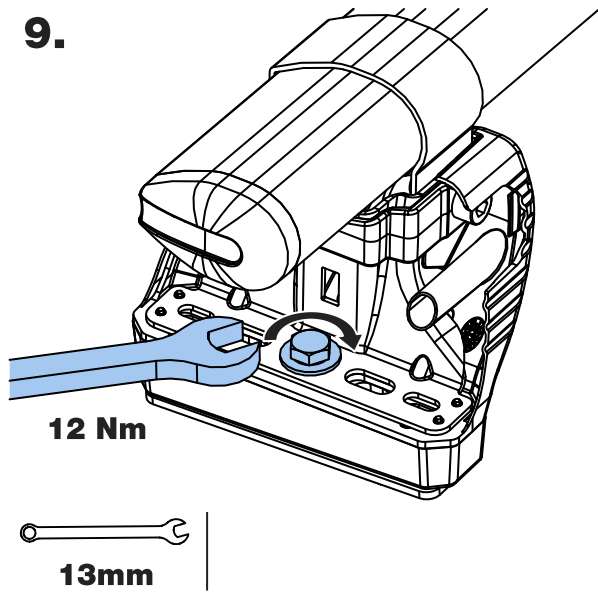
7.



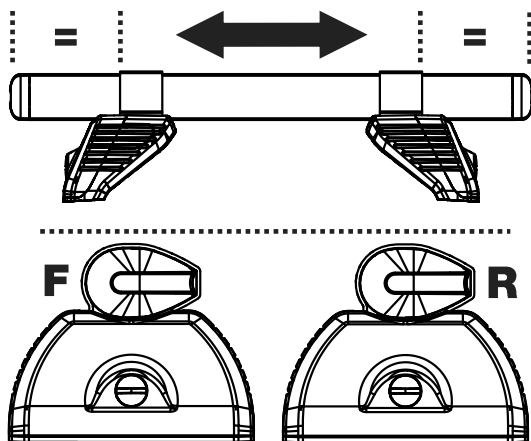
8.



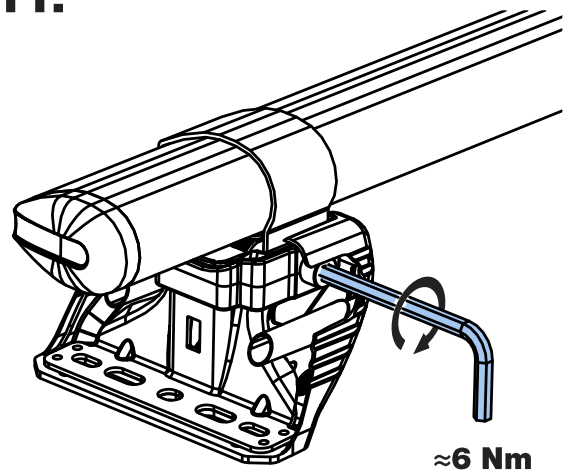
9.



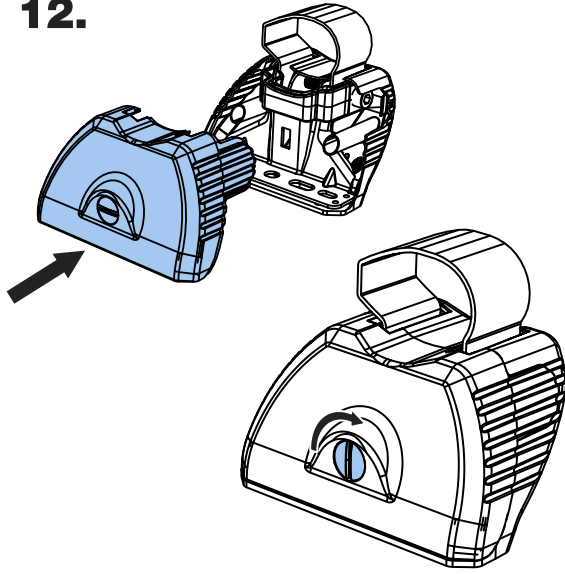
10.



11.



12.



13.

