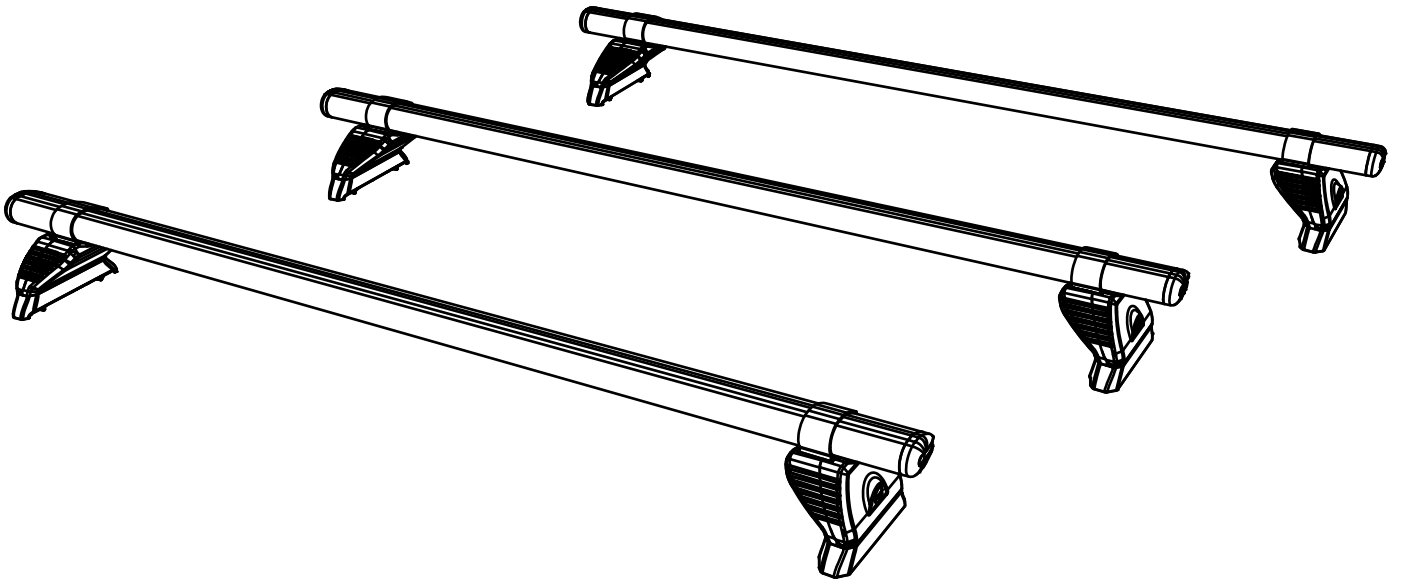


<b>ISSUE:</b>	<b>DRAWN BY:</b>	<b>CHECKED BY:</b>	<b>CRF No:</b>	<b>DATE:</b>	<b>DESCRIPTION:</b>
a	SJ	KB	2758	02/08/22	First Issue
b	YZL	KB	2958	22/05/23	Replaced SA070 with KLS2
c					
d					
e					
f					
g					
h					
i					
j					
k					
l					
m					

# KD3PR/FL

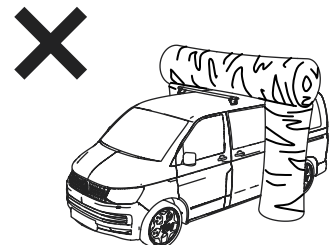
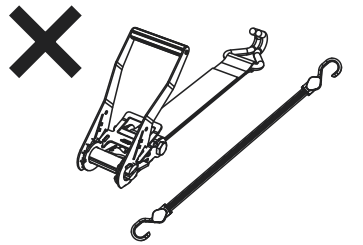
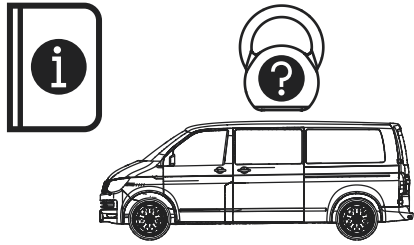
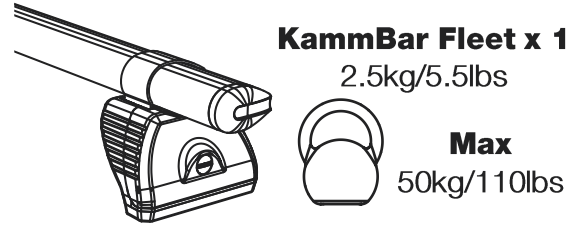
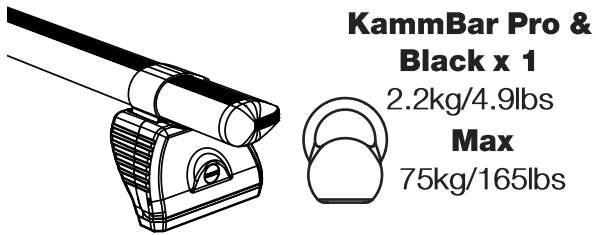
# KammBar

## Instructions



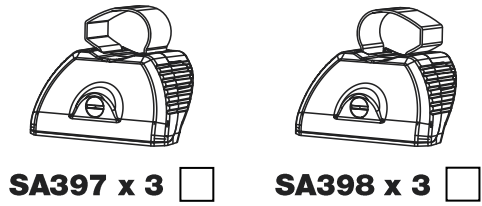
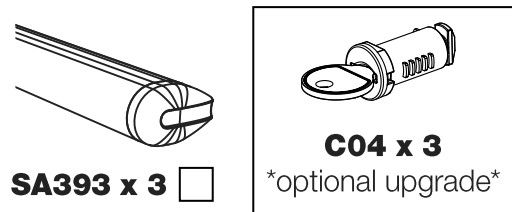
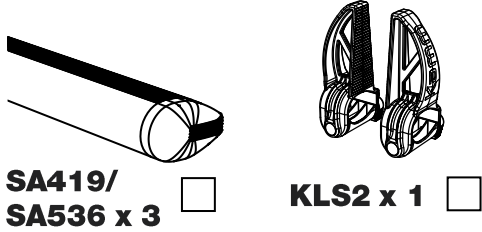
**CITY CRASH** (✓)

According to ISO/ PAS 11154:2006

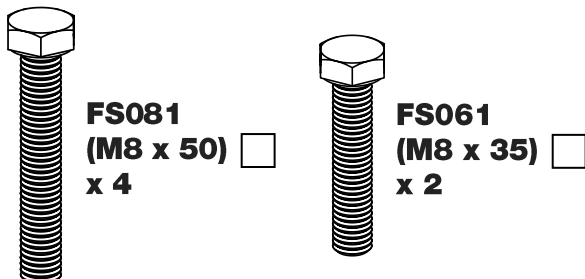
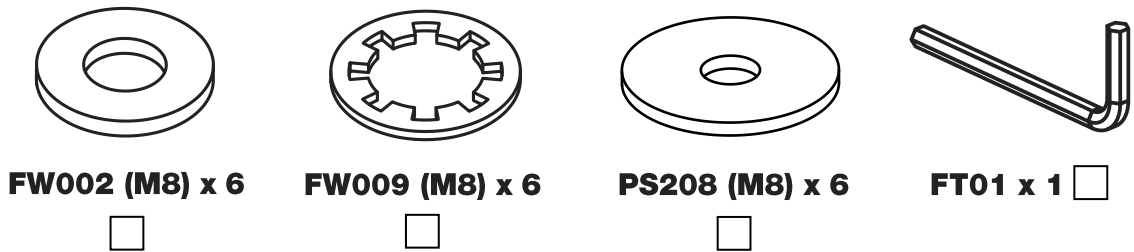
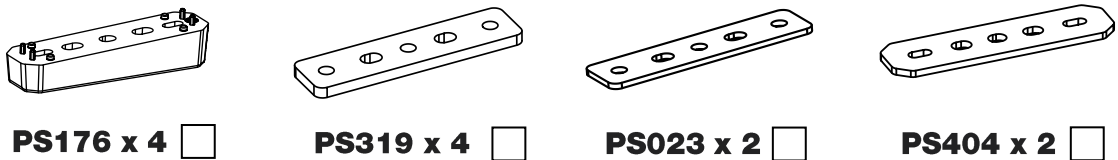


**KammBar Pro & Black**

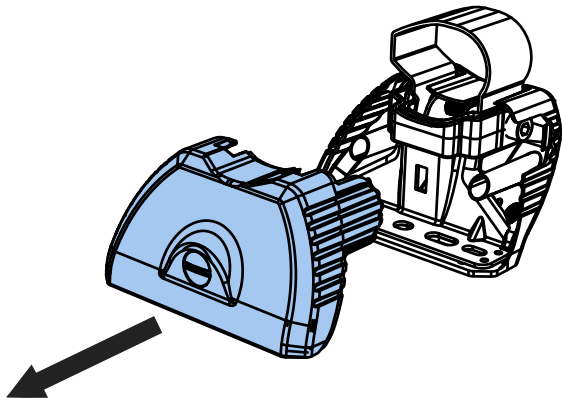
**KammBar Fleet**



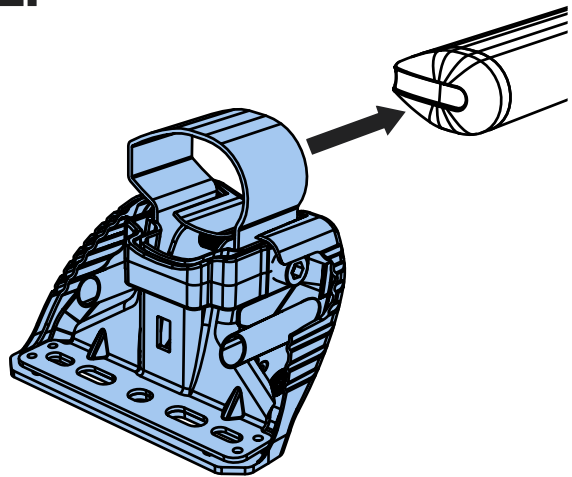
**Fitting Kit**



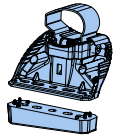
1.



2.

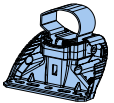


3.

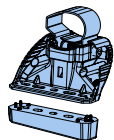


SA397

PS176

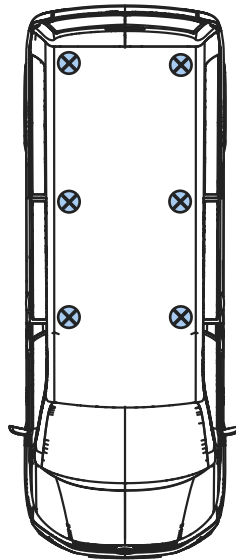


SA397

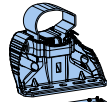


SA397

PS176

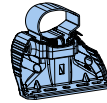


SA398

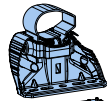


PS176

SA398

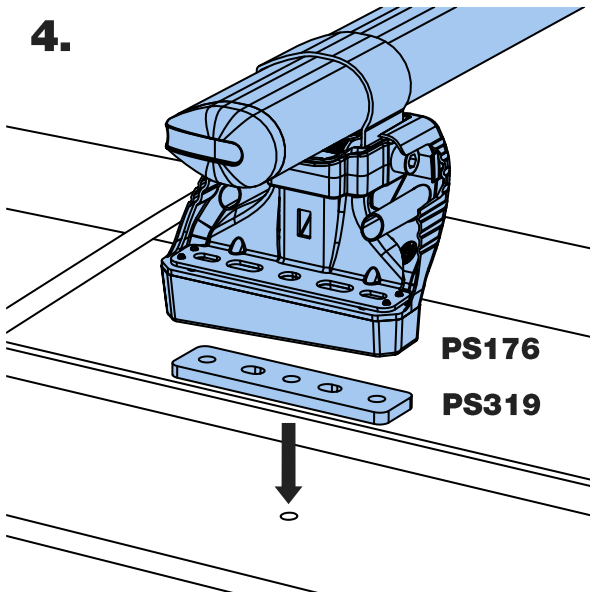


SA398



PS176

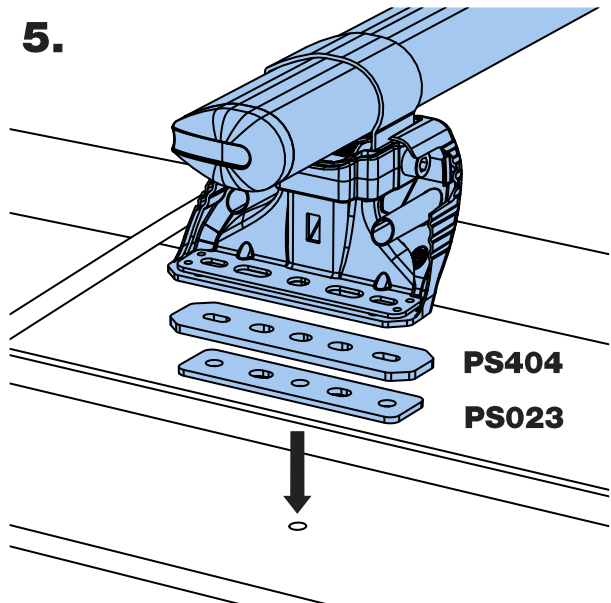
4.



PS176

PS319

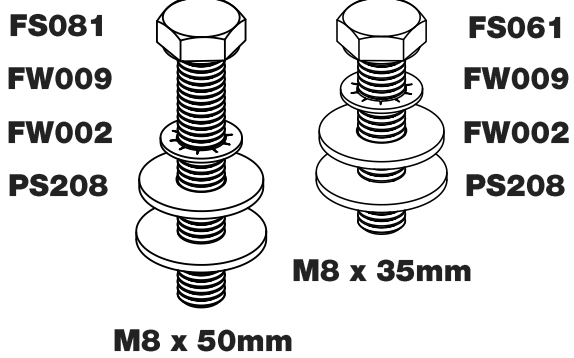
5.



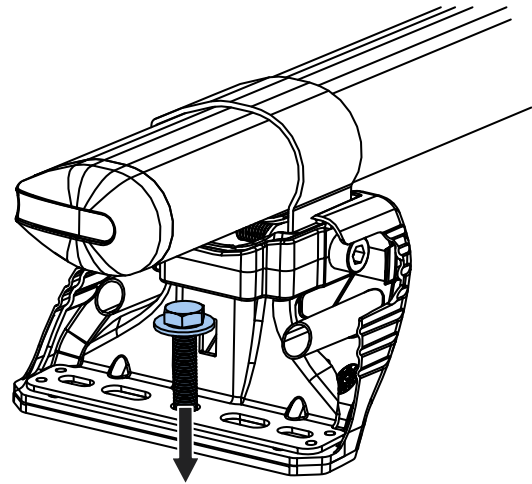
PS404

PS023

6.

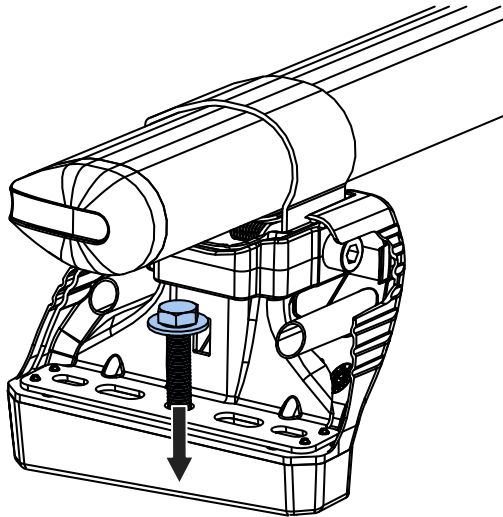


7.



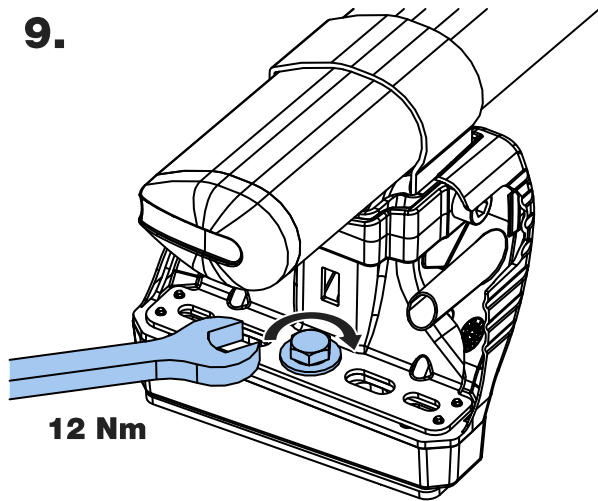
PS404 + M8 x 35mm

8.



PS176 + M8 x 50mm

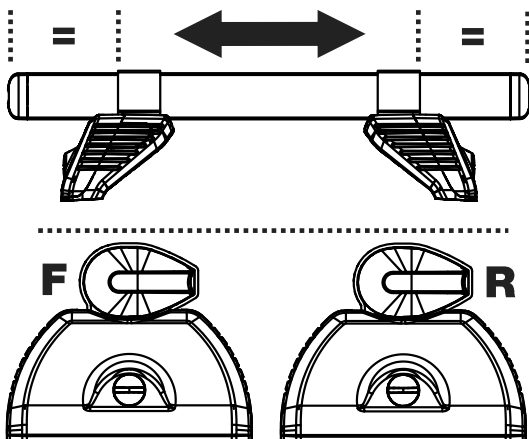
9.



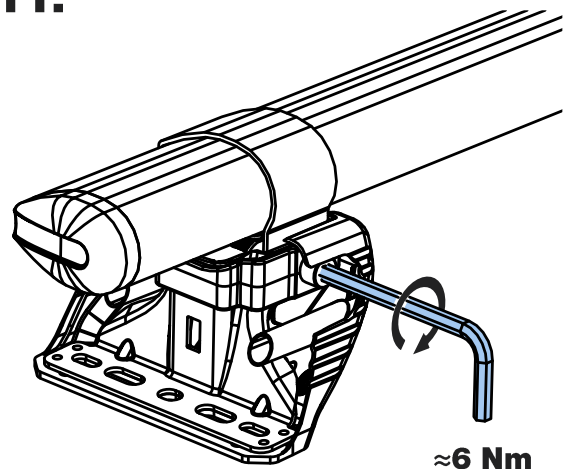
12 Nm



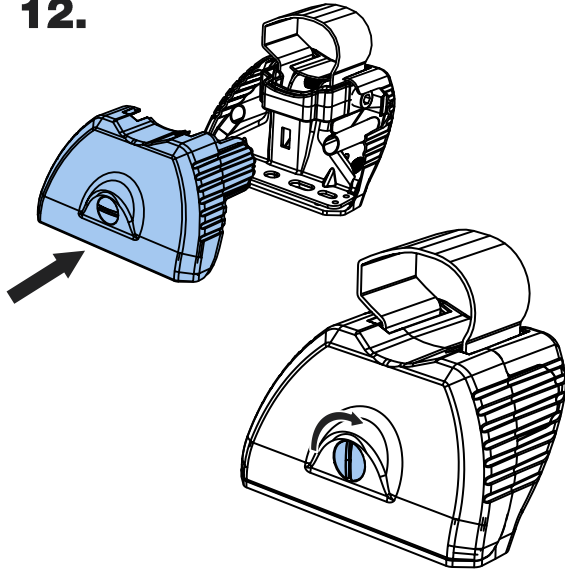
10.



11.



12.



13.

