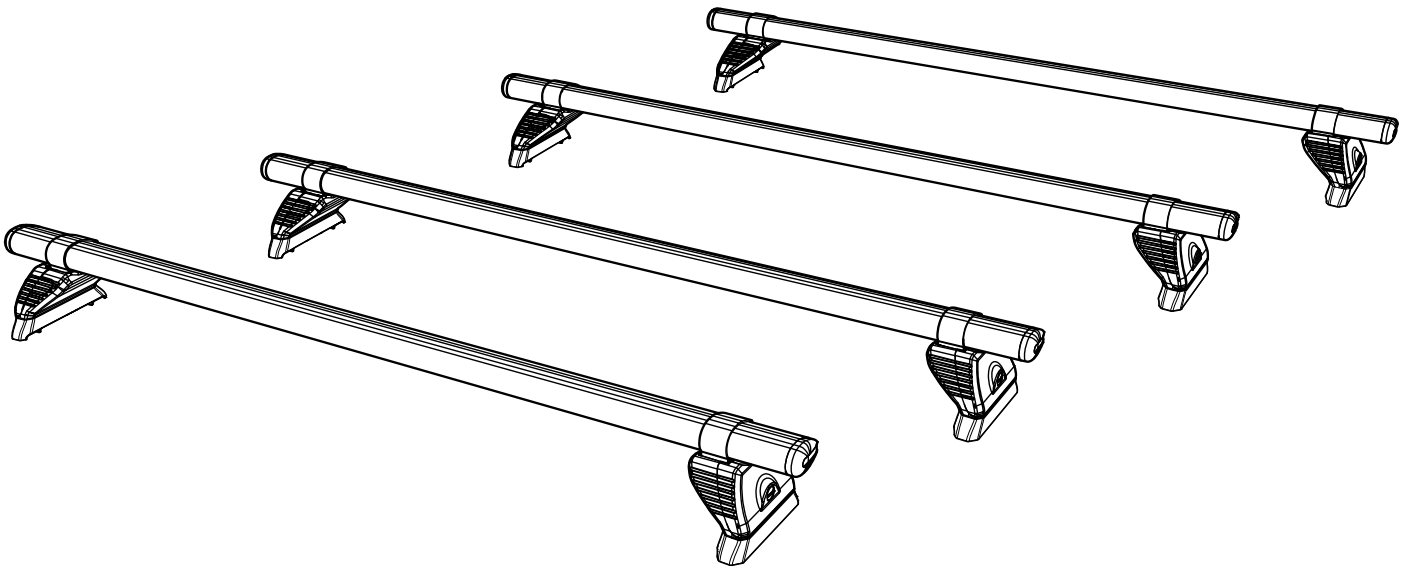


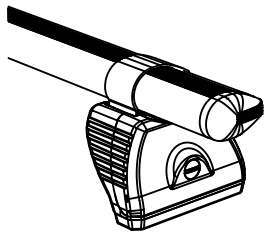
| ISSUE: | DRAWN BY: | CHECKED BY: | CRF No: | DATE:    | DESCRIPTION:             |
|--------|-----------|-------------|---------|----------|--------------------------|
| a      | SJ        | KB          | 2758    | 02/08/22 | First Issue              |
| b      | YZL       | KB          | 2958    | 22/05/23 | Replaced SA070 with KLS2 |
| c      |           |             |         |          |                          |
| d      |           |             |         |          |                          |
| e      |           |             |         |          |                          |
| f      |           |             |         |          |                          |
| g      |           |             |         |          |                          |
| h      |           |             |         |          |                          |
| i      |           |             |         |          |                          |
| j      |           |             |         |          |                          |
| k      |           |             |         |          |                          |
| l      |           |             |         |          |                          |
| m      |           |             |         |          |                          |

# KB4PR/FL KammBar Instructions



**CITY CRASH** (✓)

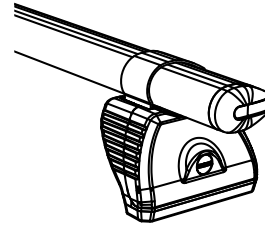
According to ISO/ PAS 11154:2006



**KammBar Pro x 1**  
2.2kg/4.9lbs



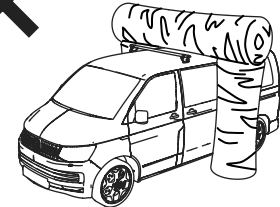
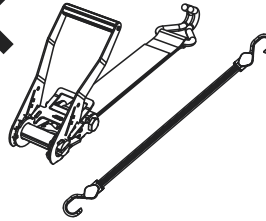
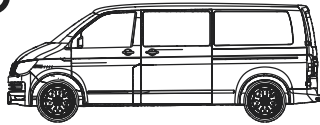
**Max**  
75kg/165lbs



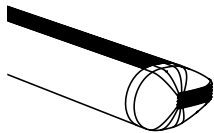
**KammBar Fleet x 1**  
2.5kg/5.5lbs



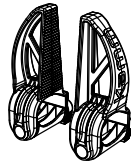
**Max**  
50kg/110lbs



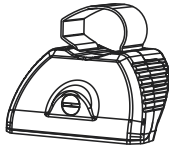
### KammBar Pro



SA419 x 4



KLS2 x 1

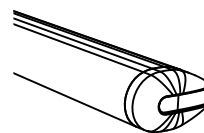


SA397 x 4



SA398 x 4

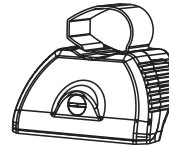
### KammBar Fleet



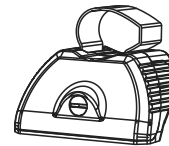
SA393 x 4



C04 x 4  
\*optional upgrade\*

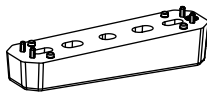


SA397 x 4

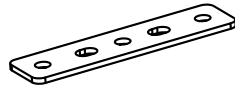


SA398 x 4

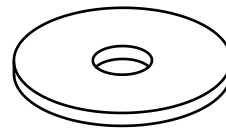
### Fitting Kit



PS176 x 4



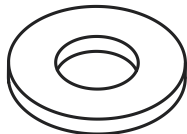
PS023 x 8



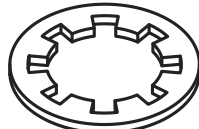
PS260 (M8) x 8



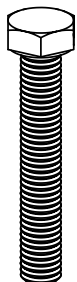
FT01 x 1



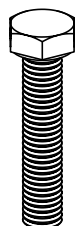
FW002 (M8) x 8



FW009 (M8) x 8

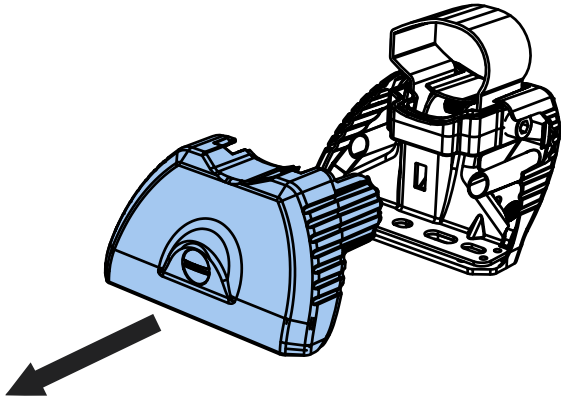


FS081  
(M8 x 50)  
x 4

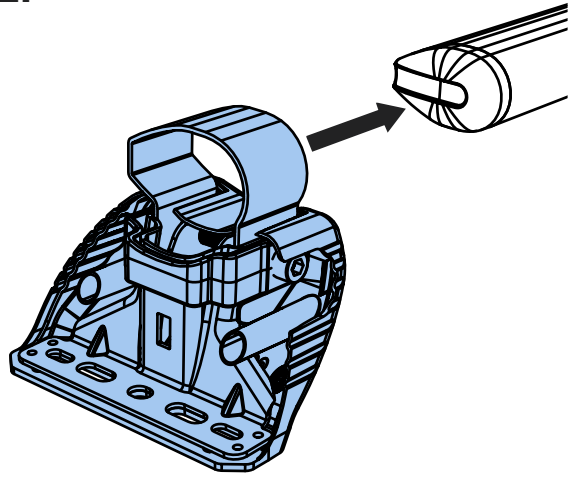


FS062  
(M8 x 25) x  
4

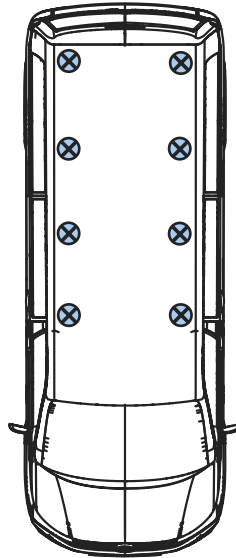
1.



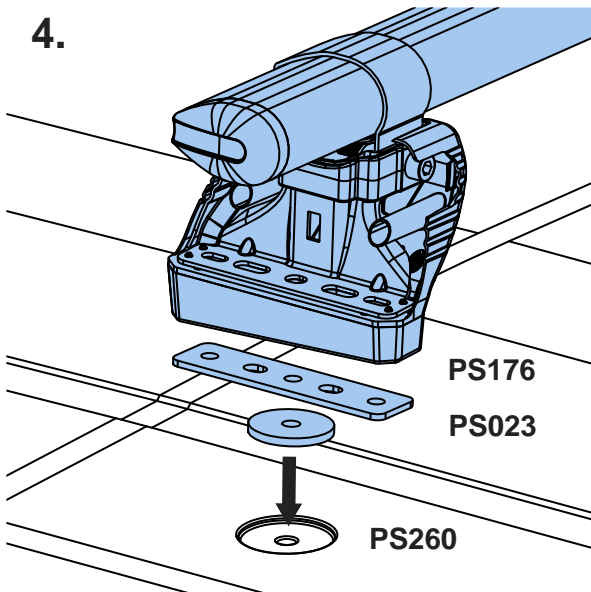
2.



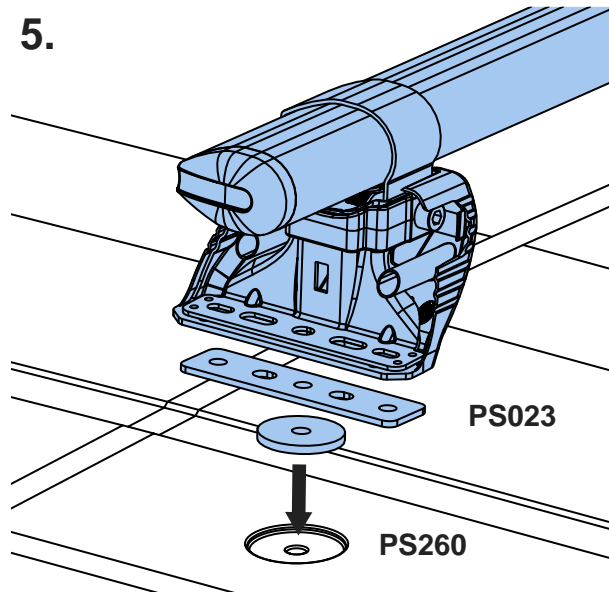
3.



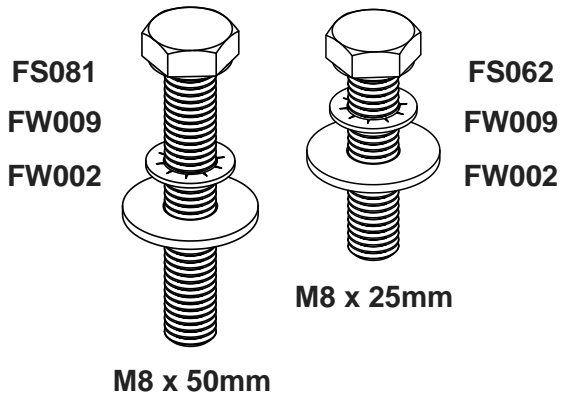
4.



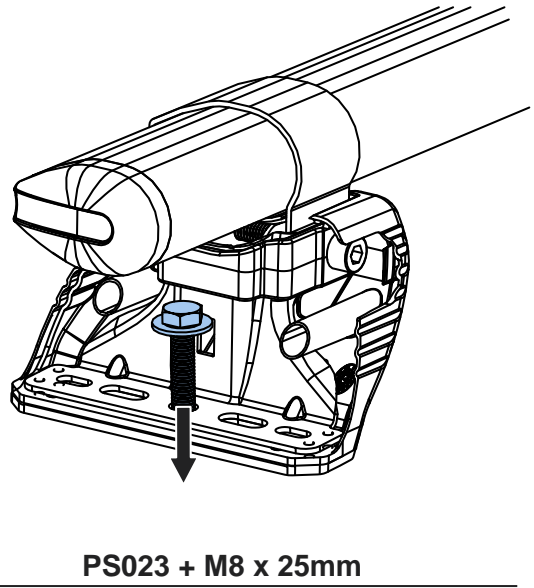
5.



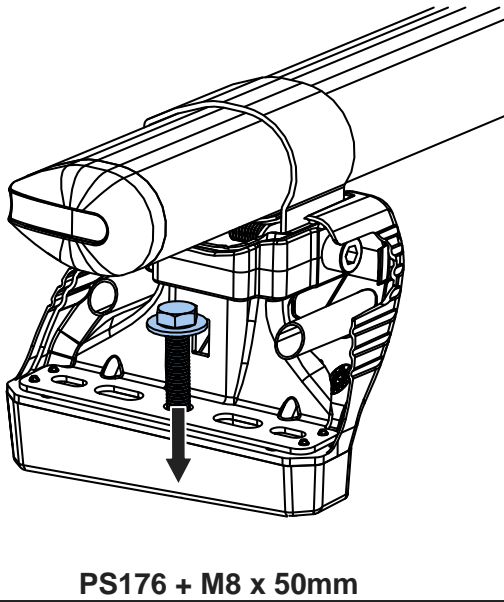
6.



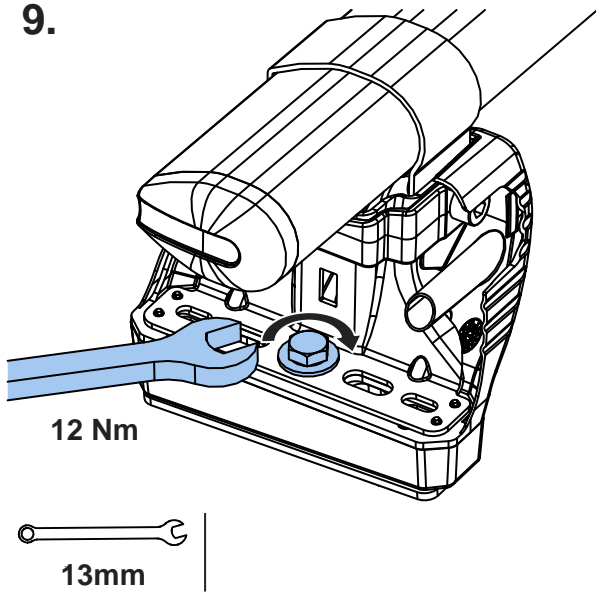
7.



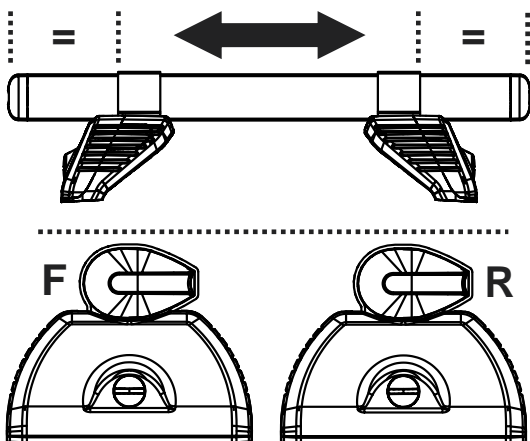
8.



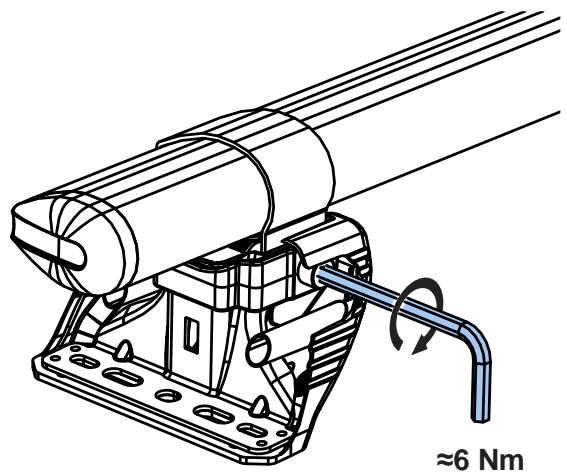
9.



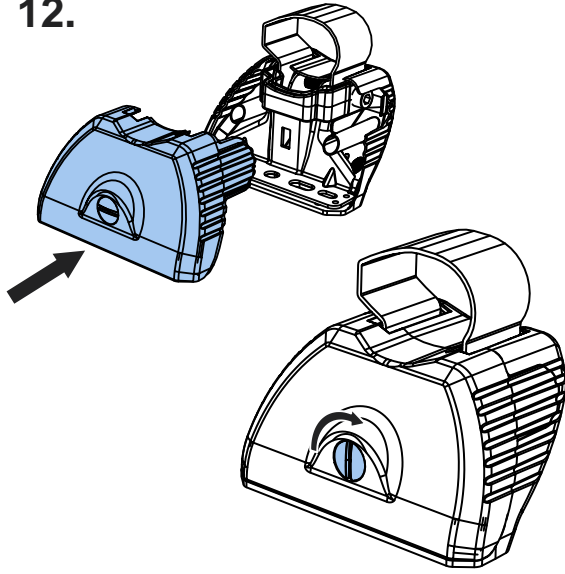
10.



11.



12.



13.

