


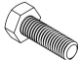






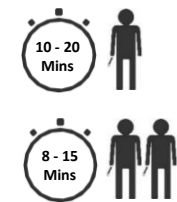


VECTA BAR™ Fitting Instructions


3 Bar Roof Kit – Citroen Berlingo (XL); Peugeot Partner (Long), Vauxhall Combo (L2) [Dec 18 Onwards]

3 Bar Kit: GC3VFK			
<u>Roof Bar</u>		QTY 3	Checked <input type="checkbox"/>
Total Weight: 5.1Kg			
<u>Foot Pack Kit</u>			
Item		QTY	
48 – NS1		1	<input type="checkbox"/>
48 – OS1		1	<input type="checkbox"/>
48 – NS3		1	<input type="checkbox"/>
48 – OS3		1	<input type="checkbox"/>
48 – NS2		1	<input type="checkbox"/>
48 – OS2		1	<input type="checkbox"/>
Rubber 8		6	<input type="checkbox"/>
M8 x 25		6	<input type="checkbox"/>
M8 spring w		6	<input type="checkbox"/>
M8 x 25		6	<input type="checkbox"/>
FOOT PACK COMPLETED BY: _____			
Foot Pack Weight: TBD			

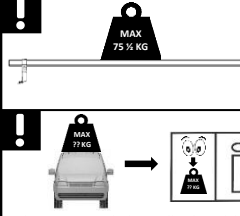
<u>Load Stop Kit</u>			
Item		QTY	Checked
Load stop		4	<input type="checkbox"/>
Crown		4	<input type="checkbox"/>
M6 x 40		4	<input type="checkbox"/>
Spanner		1	<input type="checkbox"/>
LOAD STOP KIT COMPLETED BY: _____			
LS Kit Weight: 0.38Kg			




All times are approximate from Hubb Systems testing and kit dependant







13 mm
13 mm
Flathead



MAX 75 1/2 KG
MAX 77 KG
Subject to your Vehicle Handbook Guidelines



Please follow these instructions carefully and thoroughly to ensure that your product functions correctly

<u>Top Hat Kit</u>			
Item per bar		QTY per bar	Number of TH Kits per bar:
Top Hat 1		2	<input type="checkbox"/>
M8 x 80		2	
M8 x 20		4	
M8		2	
TH KIT COMPLETED BY: _____			
TH Kit Weight: 0.29 Kg (per bar)			

DATE PACKED: _____

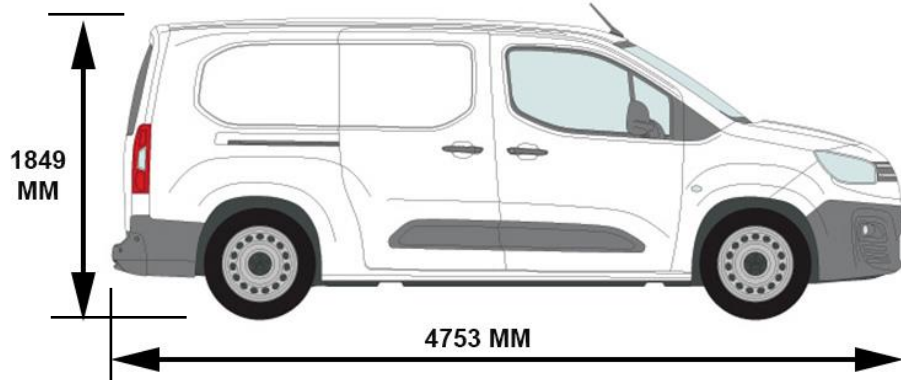
ORDER PACKED BY: _____

Vehicle:
Citroen Berlingo XL:
Dec 2018 – Present
Peugeot Partner Long:
Dec 2018 – Present
Vauxhall Combo L2
Dec 2018 – Present

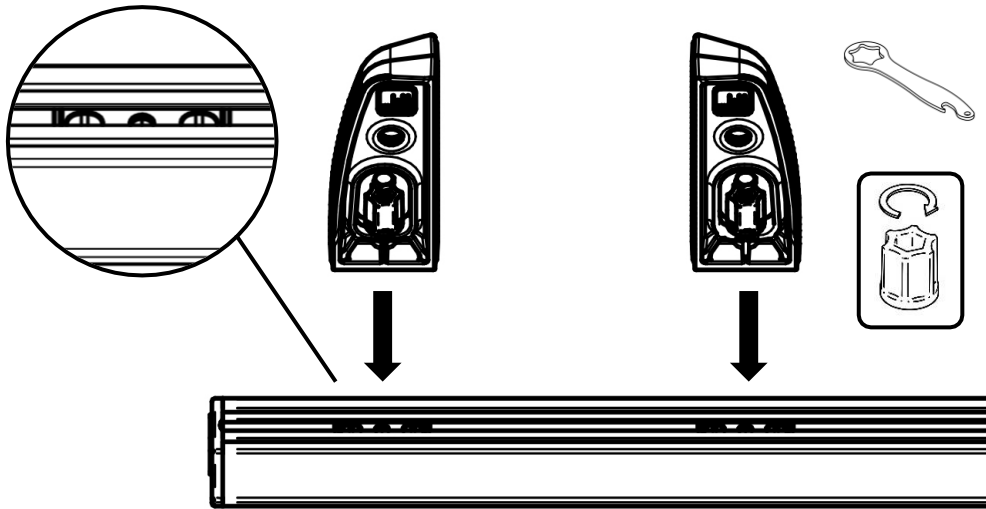
Wheel Base:
LWB (L2)

Roof Height:
Standard (H1)

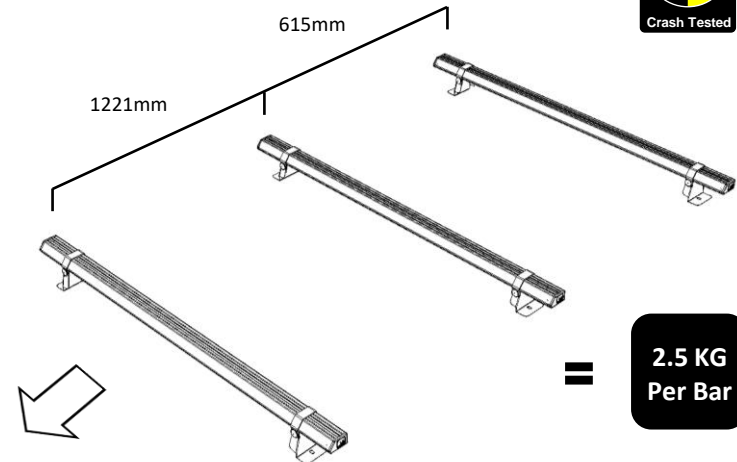
Rear Door:
Twin/Tailgate



Note: This product fits the vehicle(s) shown

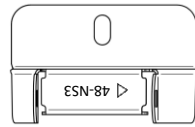
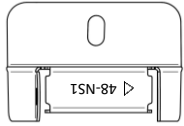
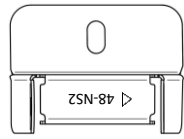


Check leg numbers **48-XX**



Note – Diagram shows the distance between centre points of Vecta Bar's T – Track specific to van and bar option

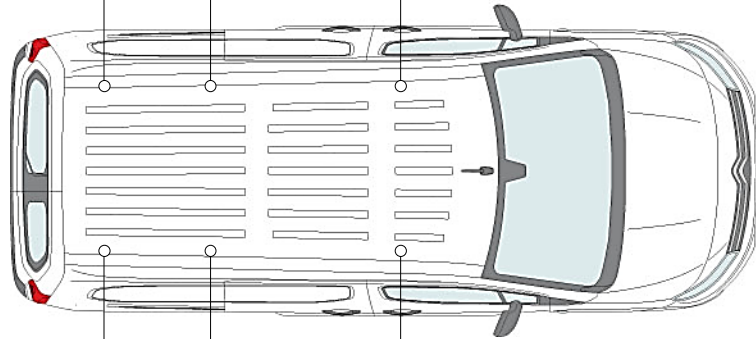
1



48-NS1

48-NS2

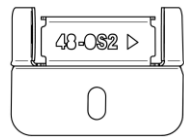
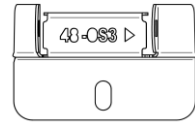
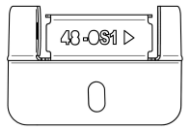
48-NS3



48-OS1

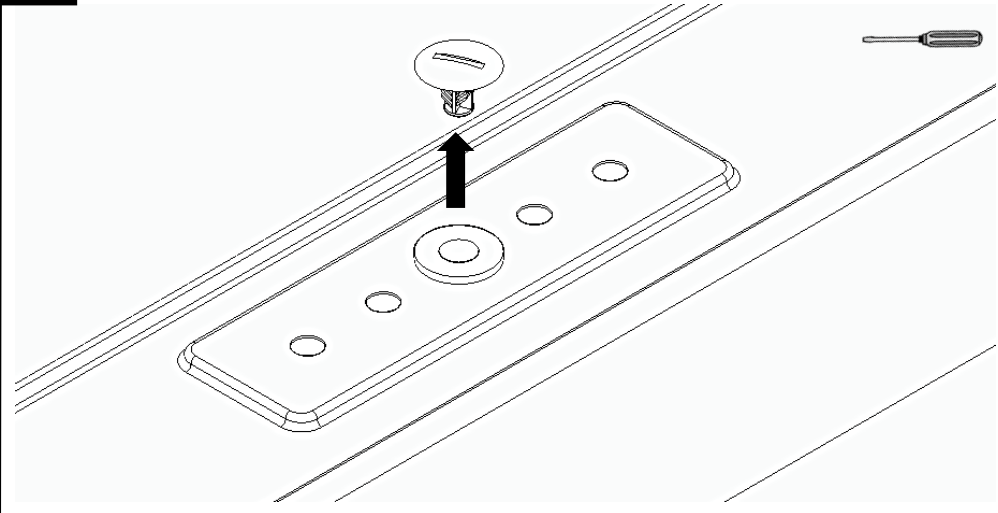
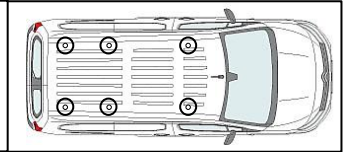
48-OS2

48-OS3

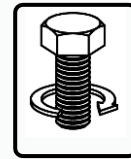


2

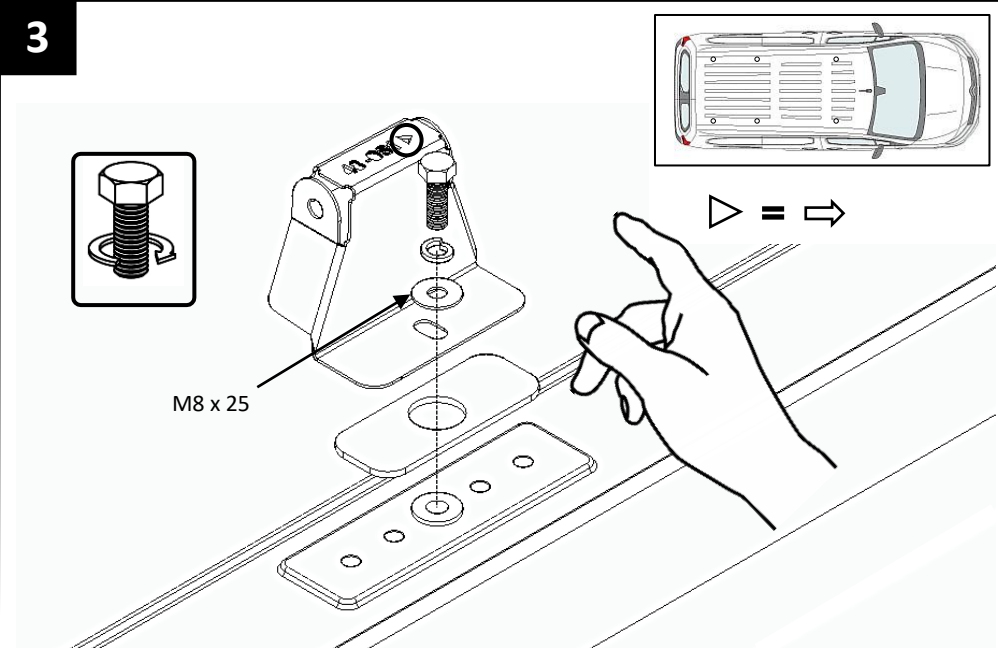
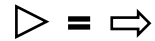
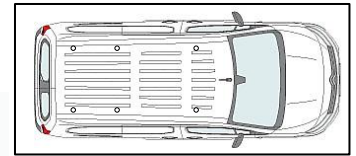
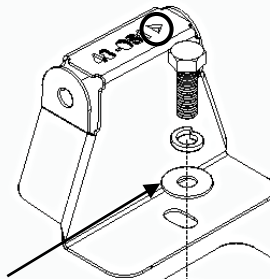
Check leg numbers **48-XX**



3

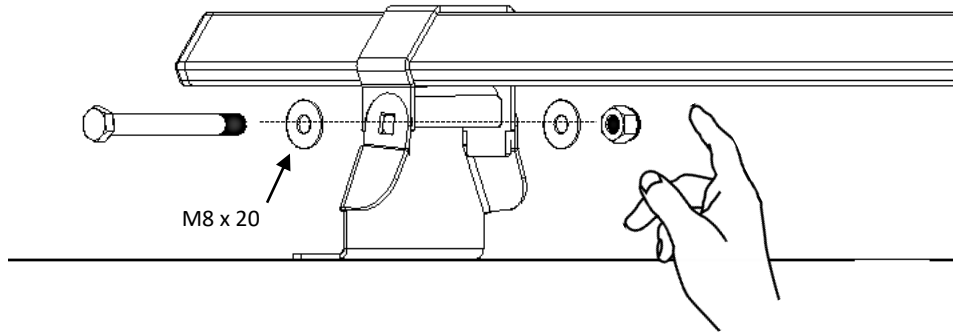


M8 x 25

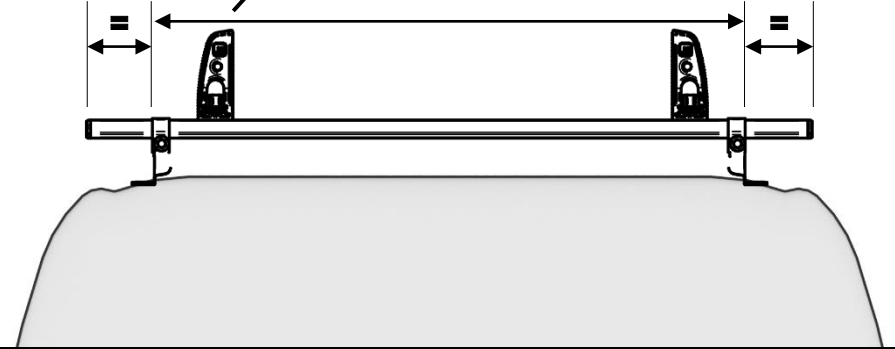
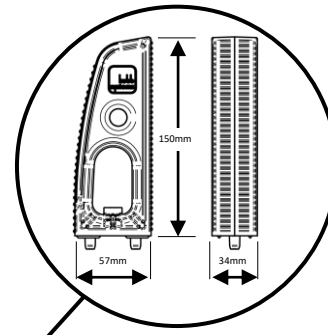


4

13mm (M8)



5



6

13mm (M8)



13mm (M8)

