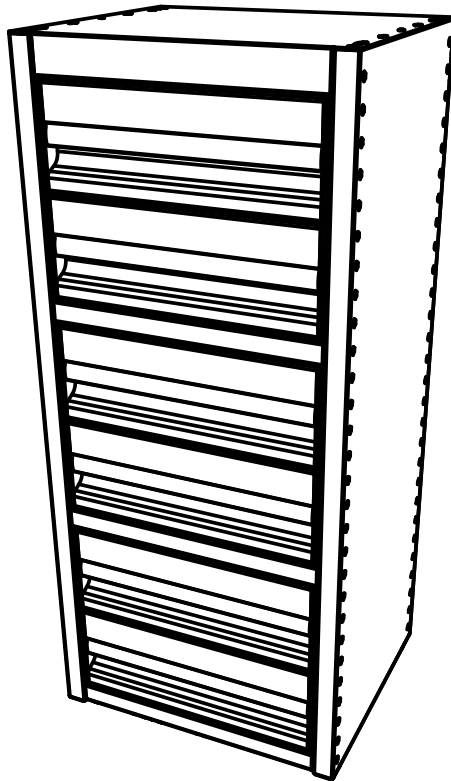


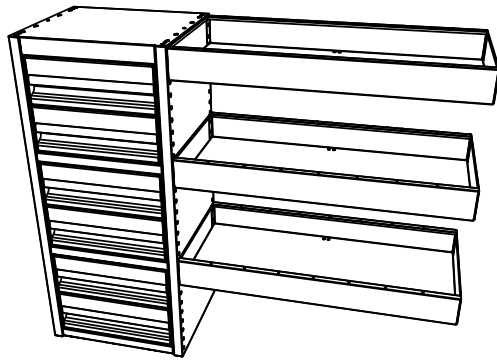
DTFI MR4 Instructions



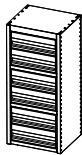
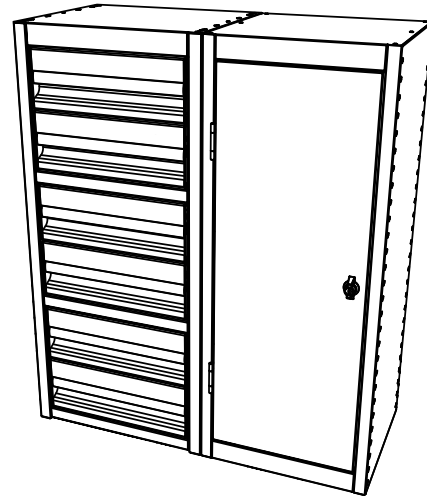


DT10	DT11	DT13	DT15	DT16
40.97	41.73	48.64	55.40	61.35

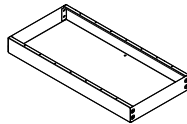
DTXX + SH3XX
1-4, 11-13



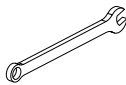
DTXX + LFXX
5-13



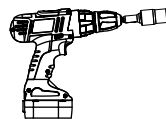
DTXX
x 1



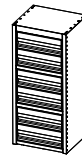
SH3XX



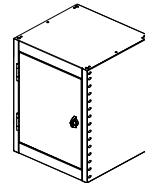
10mm



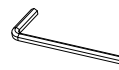
8mm



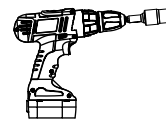
DTXX
x 1



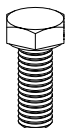
LFXX



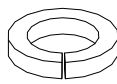
4mm



8mm



FS188
(M6x16)



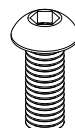
FW004
(M6)



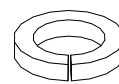
FW011
(M6)



FS296
(M5.5x35)



FS233
(M6x16)



FW004
(M6)



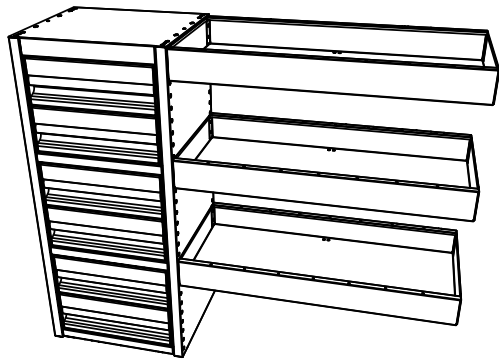
FW011
(M6)



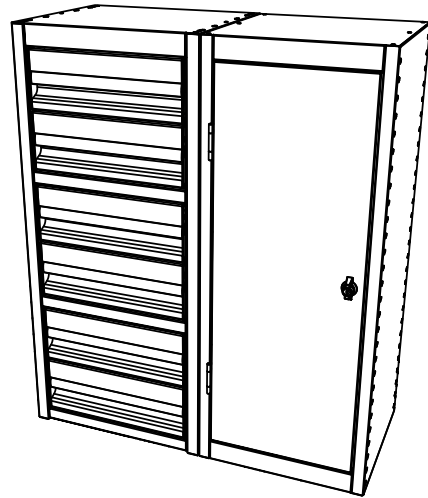
FS296
(M5.5x35)



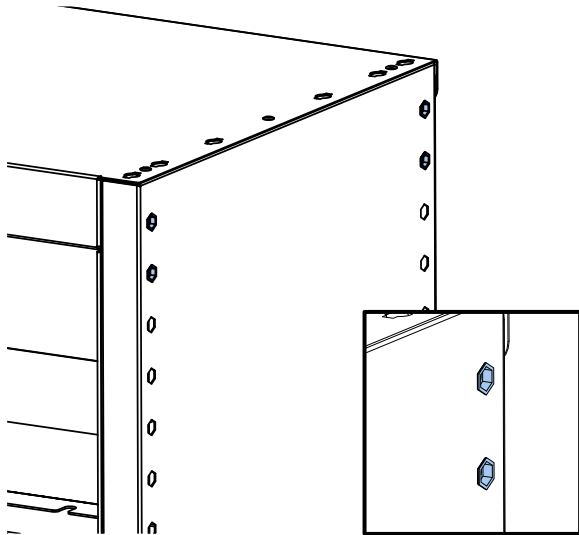
DTXX + SH3XX
1-4, 11-15



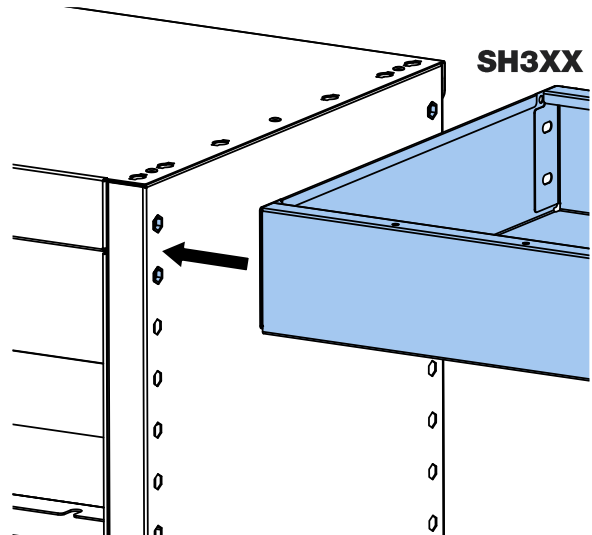
DTXX + LFXX
5-15



1.

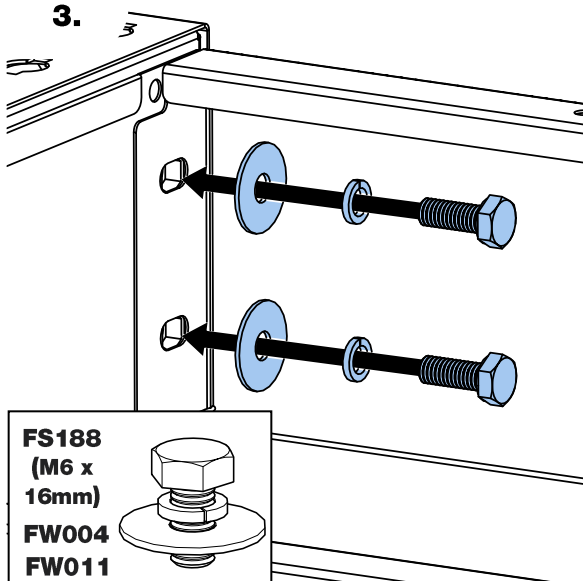


2.



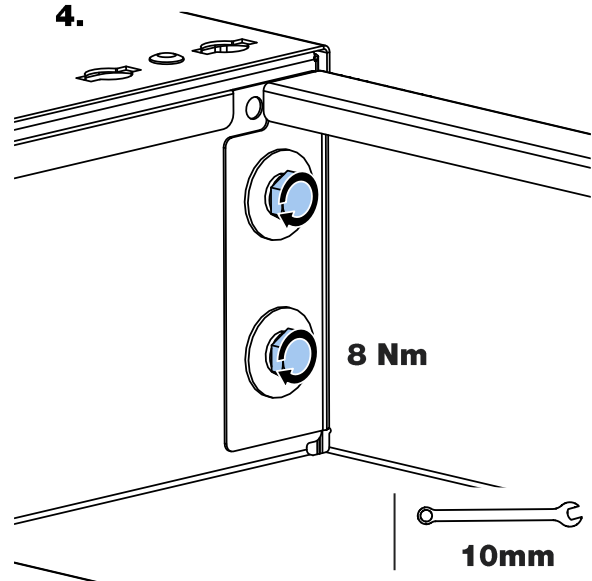
SH3XX

3.



FS188
(M6 x
16mm)
FW004
FW011

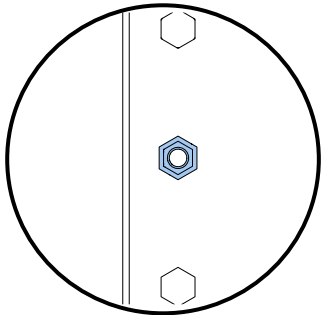
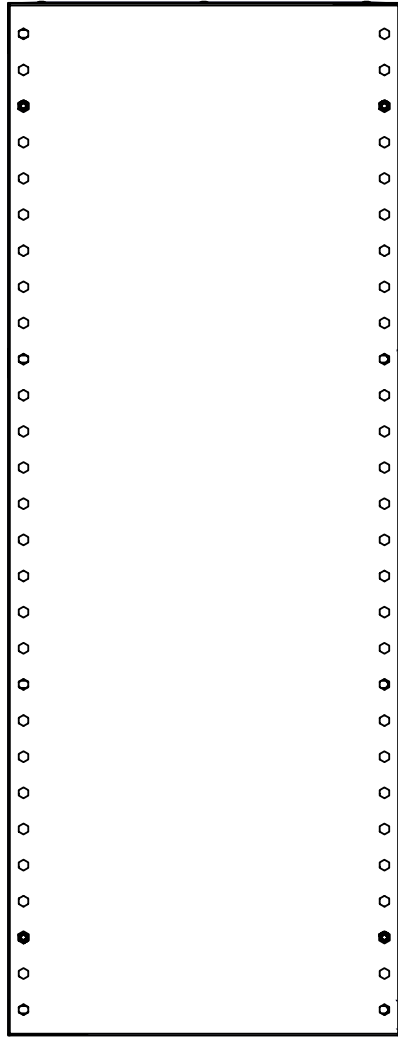
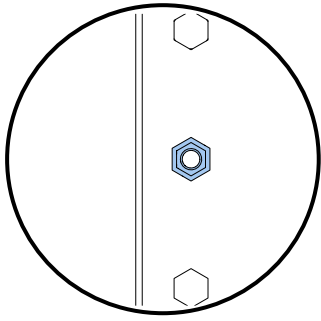
4.



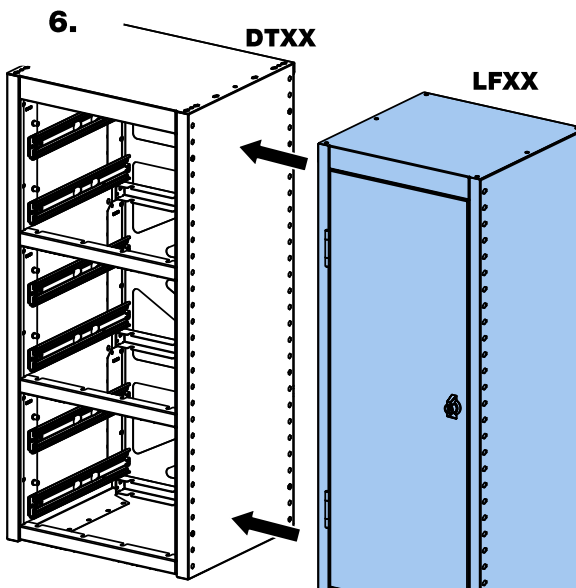
8 Nm

10mm

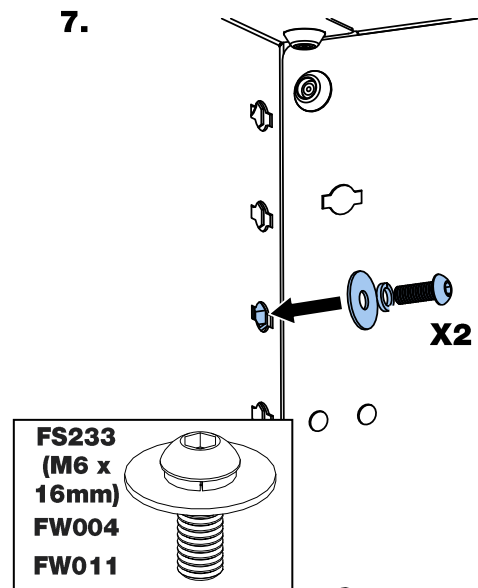
5.

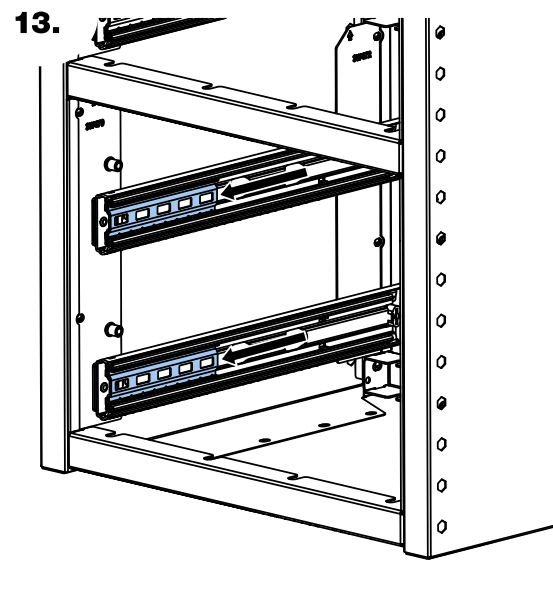
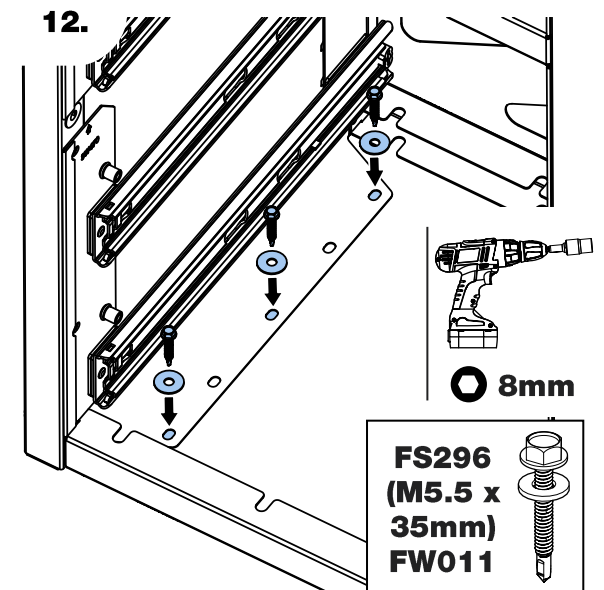
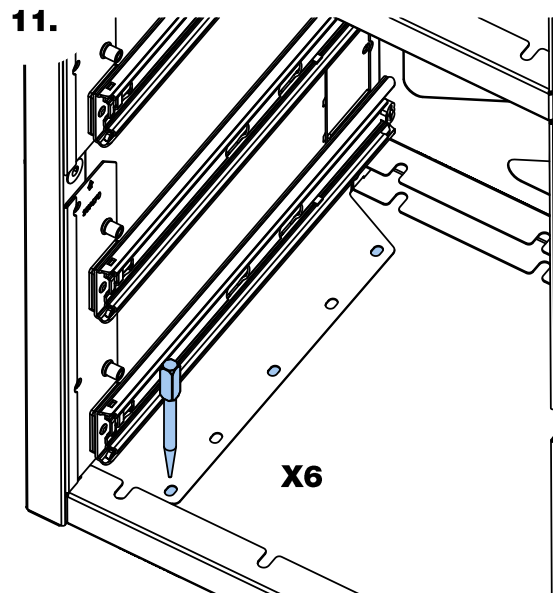
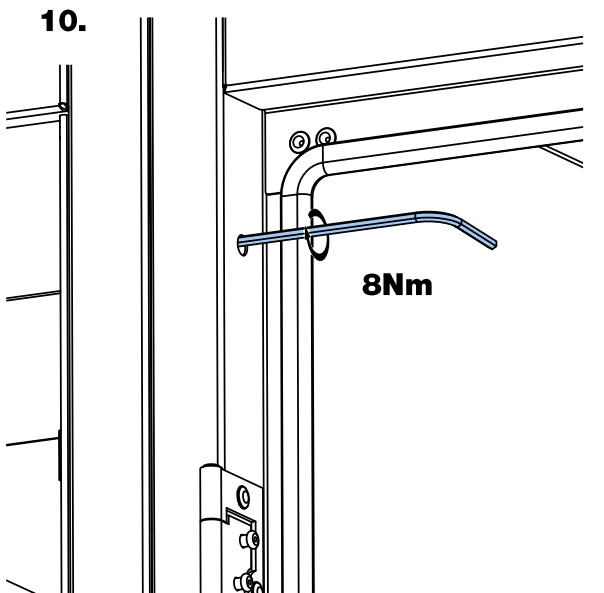
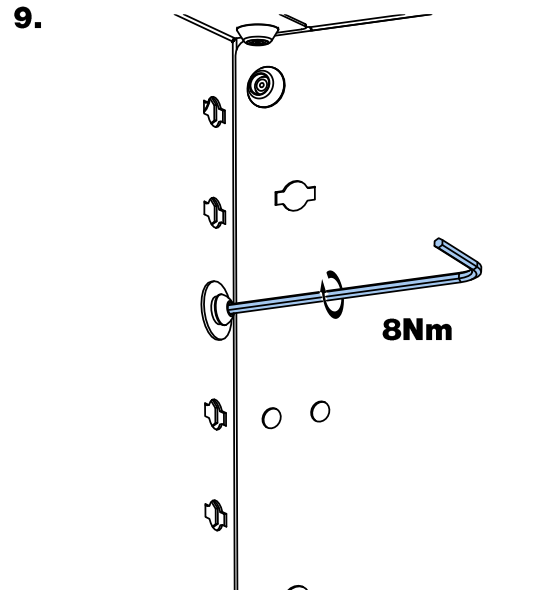
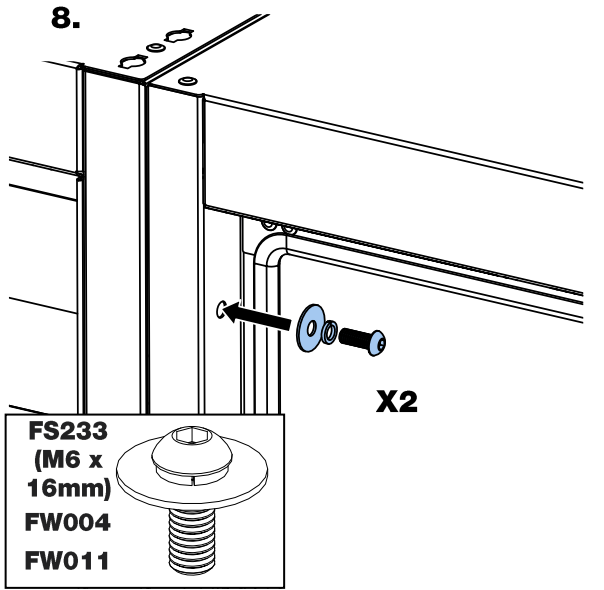


6.

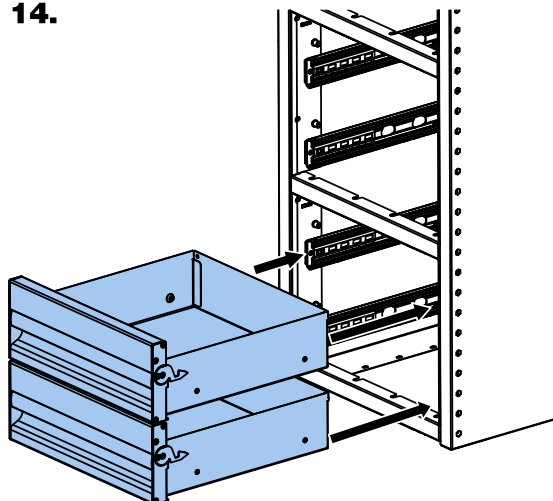


7.





14.



15.

